



Connectors > PCB Connectors > Wire-to-Board Connectors > FFC, FPC & Ribbon Connectors > FPC Connectors



Centerline (Pitch): 1 mm [.039 in]

Mating Retention Type: Zero Insertion Force (ZIF)

PCB Mount Orientation: Right Angle

Contact Mating Location: Top

Termination Method to PCB: Surface Mount

Features

Product Type Features

PCB Connector Type	PCB Mount Receptacle
Connector & Contact Terminates To	Flexible Printed Circuit (FPC)
Connector Product Type	Connector Assembly
Connector System	Flex-to-Board
FPC Actuator Type	Stuffer

Configuration Features

PCB Mount Orientation	Right Angle
Number of Positions	6

Contact Features

Contact Current Rating (Max)	1 A
Contact Mating Location	Top
Contact Mating Area Plating Material	Tin (Sn)

Termination Features

Termination Method to PCB	Surface Mount
---------------------------	---------------

Mechanical Attachment

Connector Mounting Type	Board Mount
PCB Mount Alignment	Without
PCB Mount Retention	Without
Mating Retention Type	Zero Insertion Force (ZIF)

Housing Features

Centerline (Pitch)	1 mm[.039 in]
--------------------	---------------

Dimensions

Connector Width	5.4 mm[.213 in]
Connector Height	2.56 mm[.101 in]

Operation/Application

Circuit Application	Signal
---------------------	--------

Product Compliance

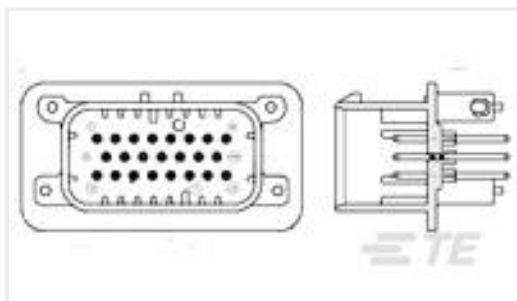
[For compliance documentation, visit the product page on TE.com>](#)

EU RoHS Directive 2011/65/EU	Not Compliant
EU ELV Directive 2000/53/EC	Compliant with Exemptions
China RoHS 2 Directive MIIT Order No 32, 2016	Restricted Materials Above Threshold
EU REACH Regulation (EC) No. 1907/2006	Current ECHA Candidate List: JAN 2025 (247) Candidate List Declared Against: JUNE 2024 (241) SVHC > Threshold: Pb (13% in Component Part) Article Safe Usage Statements: Do not eat, drink or smoke when using this product. Wash thoroughly after handling. Recycle if possible and dispose of the article by following all applicable governmental regulations relevant to your geographic location.
Halogen Content	Not Low Halogen - contains Br or Cl > 900 ppm.
Solder Process Capability	Reflow solder capable to 260°C

Product Compliance Disclaimer

This information is provided based on reasonable inquiry of our suppliers and represents our current actual knowledge based on the information they provided. This information is subject to change. The part numbers that TE has identified as EU RoHS compliant have a maximum concentration of 0.1% by weight in homogenous materials for lead, hexavalent chromium, mercury, PBB, PBDE, DBP, BBP, DEHP, DIBP, and 0.01% for cadmium, or qualify for an exemption to these limits as defined in the Annexes of Directive 2011/65/EU (RoHS2). Finished electrical and electronic equipment products will be CE marked as required by Directive 2011/65/EU. Components may not be CE marked. Additionally, the part numbers that TE has identified as EU ELV compliant have a maximum concentration of 0.1% by weight in homogenous materials for lead, hexavalent chromium, and mercury, and 0.01% for cadmium, or qualify for an exemption to these limits as defined in the Annexes of Directive 2000/53/EC (ELV). Regarding the REACH Regulation, the information TE provides on SVHC in articles for this part number is based on the latest European Chemicals Agency (ECHA) 'Guidance on requirements for substances in articles' posted at this URL: <https://echa.europa.eu/guidance-documents/guidance-on-reach>

Customers Also Bought



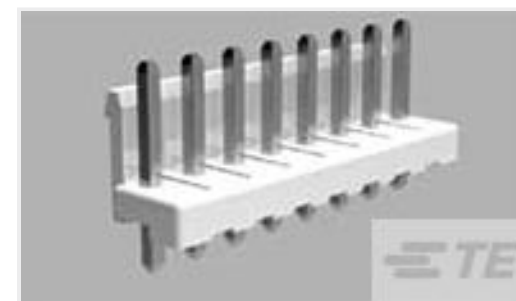
TE Part #1-776231-4
35POS, PIN DIA 1.3, HDR ASSY,
180DEG, COD 4



TE Part #5-104362-6
07 MTE HDR SRST LATCH W/HLDWN



TE Part #1757838-2
AMPLIMITE, R/A RCPT ASY, 109, ZN, 2



TE Part #3-1123723-2
3.96 EP HDR ASSY 2P(BLUE)



TE Part #4-2176088-5
RP 1J 0.166W 2K55 0.1% 25PPM 1K RL



TE Part #5-104362-9
10 MTE HDR SRST LATCH W/HLDWN



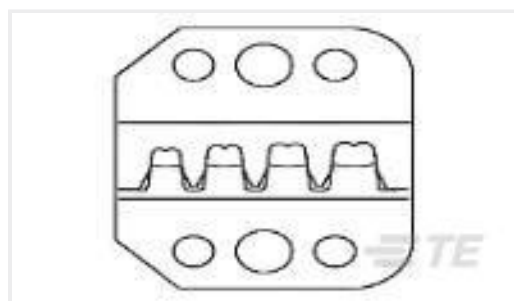
TE Part #2-1393771-9
JWD-172-5=REED RELAYS



TE Part #2-2176231-8
3522 130R 1% 3W



TE Part #6-1676481-5
CPF 0603 3K0 0.1% 25PPM 1K RL



TE Part #90869-2
PROCRMP DIE COMM .062 PIN/SOC

Documents

Product Drawings

006 1MM FPC TOP HORZ

English

CAD Files

3D PDF

English

Customer View Model

[ENG_CVM_487951-6_G.2d_dxf.zip](#)

English

Customer View Model

[ENG_CVM_487951-6_G.3d_igs.zip](#)

English

Customer View Model

[ENG_CVM_487951-6_G.3d_stp.zip](#)

English

By downloading the CAD file I accept and agree to the [Terms and Conditions](#) of use.

Datasheets & Catalog Pages



FPC Connector Family

English

Product Specifications

Application Specification

English

Agency Approvals

CSA Certificate

English