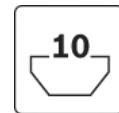
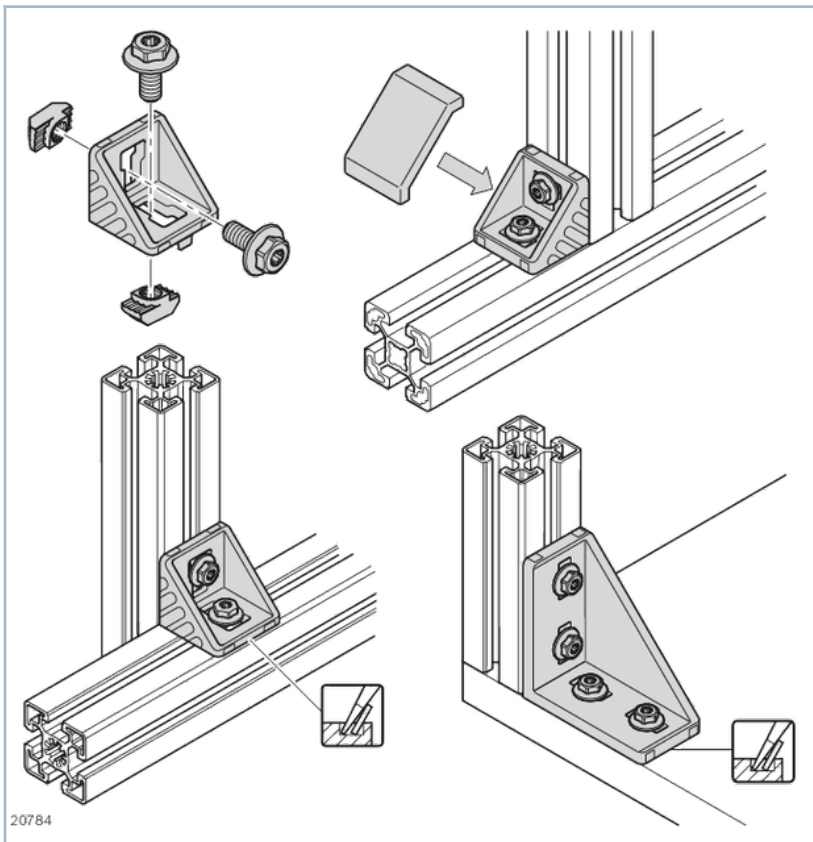
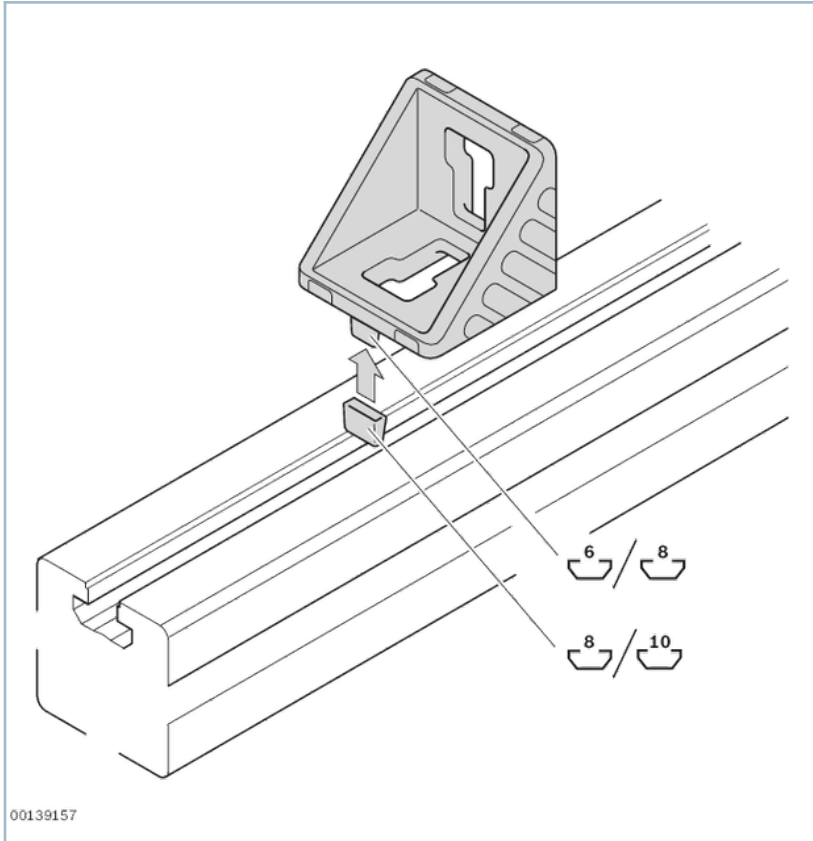


Bracket 50/100



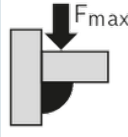
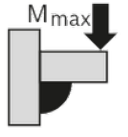
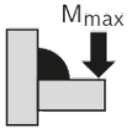
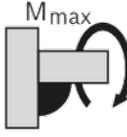



- Brackets with centering lugs for rapid, precise assembly with protection against turning
- Centering lugs can be easily broken off for assembly on plates or at right angles to the slot
- Cover cap to protect from dirt, available in signal gray (RAL 7004) and black ESD (RAL 9005)
- Profile finishing: not required

Product description



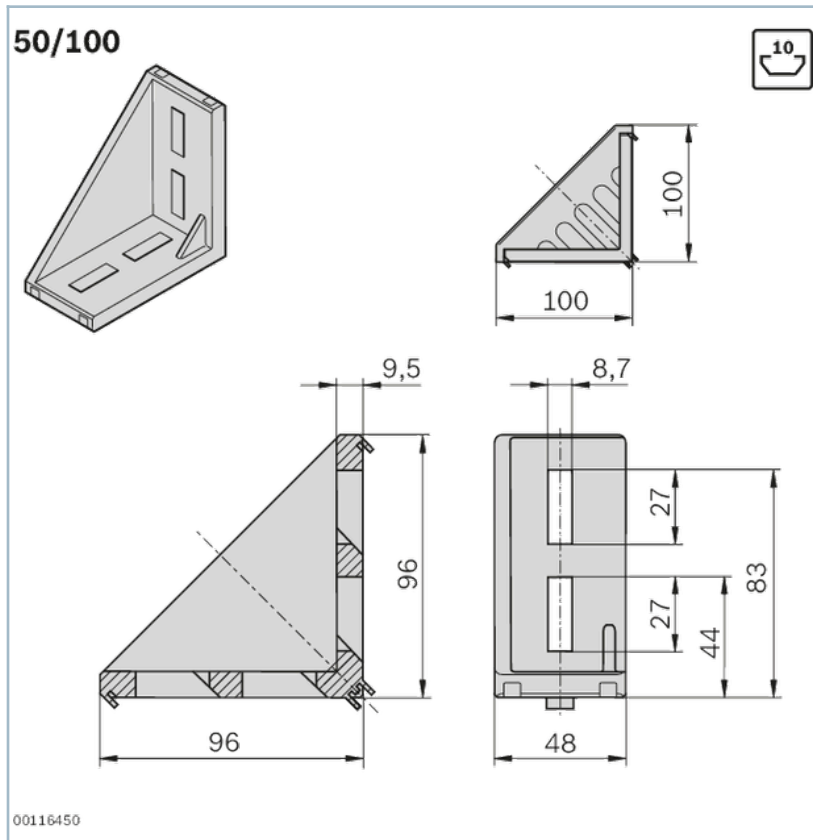
Connection elements, selection criteria

Technical data

	Groove	ESD Material entry				
			F_{max} N	M_{max} Nm	M_{max} Nm	M_{max} Nm
Bracket	10	 Bracket: Diecast aluminum, vibratory ground Fastening material: steel; galvanized	7500	300	600	73
	10	 Bracket: Diecast aluminum, vibratory ground	7500	300	600	73
Cover cap for bracket		PP				
		 PP				

Dimensions

Bracket 50/100 with cover cap



Accessories

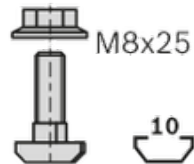
Recommended accessories

Cover cap for bracket 50/100, signal gray




Cover cap for bracket 50/100, black

Delivery notes

FS7



Ordering codes

	Groove	ESD	No.
Bracket 50x100 set (standard)	10		3842530260
Bracket (standard) 50/100	10		3842530382
Cover cap for bracket 50/100, signal gray			3842548872
Cover cap for bracket 50/100, black			3842548873