

BUMPER

Features

- **Impact Absorption** – Protects surfaces and equipment from collision damage
- **Weather & Wear Resistant**– simple setup for immediate use
- **Multi-Application Use** – Ideal for transport, warehouse, and machinery protection

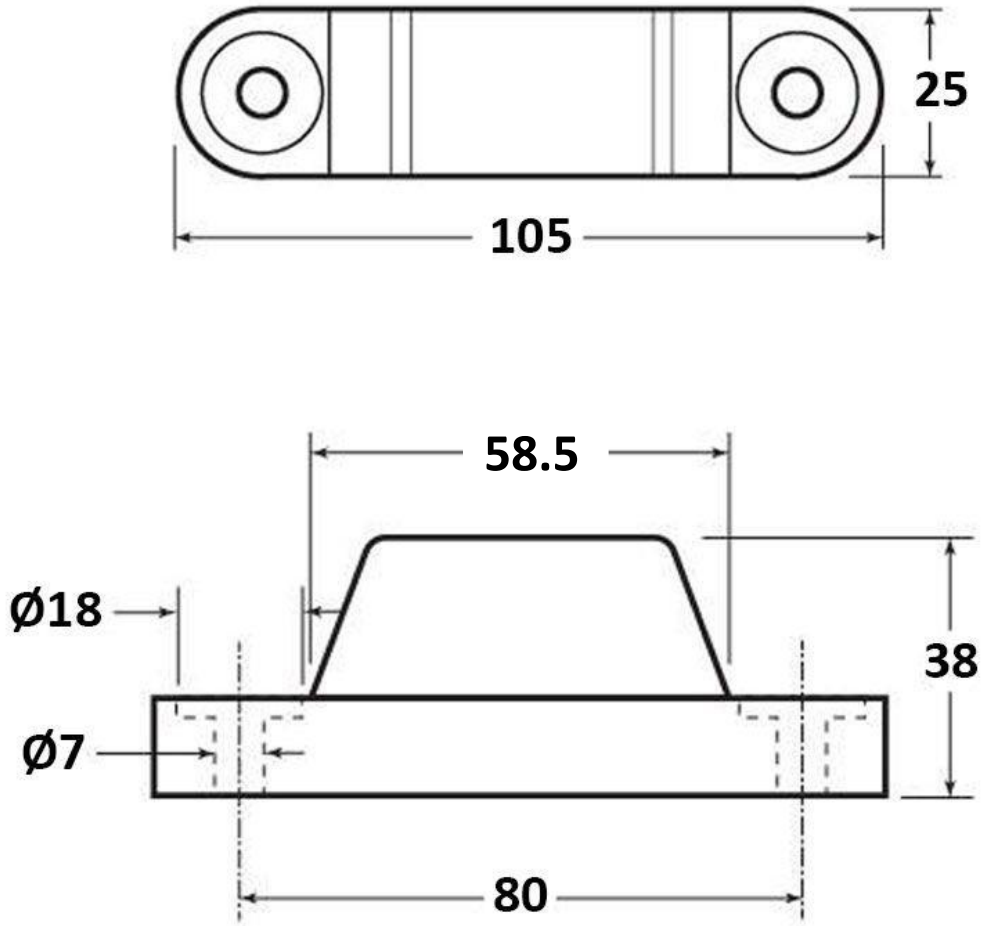
Bumper Stop 105L x 25W x 38H

SKU.: 0734072



RS Professionally Approved Products bring to you professional quality parts across all product categories. Our product range has been tested by engineers and provides a comparable quality to the leading brands without paying a premium price.

BUMPER



Bumper Dimensions

Length (mm)	105
Width (mm)	25
Height (mm)	38

BUMPER

Product Description

This high-performance rubber buffer stopper is engineered for demanding environments where impact absorption and surface protection are critical. Crafted from a premium blend of natural and synthetic rubber, it offers exceptional durability, flexibility, and resistance to wear, weather, and repeated collisions.

Its compact yet robust design makes it ideal for a wide range of applications — from safeguarding vehicles like vans, forklift trucks, and trailers, to protecting industrial equipment and loading bay structures. Whether used in transportation, warehousing, or manufacturing, this buffer stopper helps minimize damage, reduce maintenance costs, and enhance operational safety.

Perfect for use as a door buffer, glass rack cushion, or loading dock protector, it delivers reliable performance in both light-duty and heavy-duty settings.

General Specifications

Material	NR/SBR
Colour	Black

Mechanical Specifications

Weight	0.062KG
Tensile Strength	4Mpa
Elongation	200%
Hardness	75ShA

Operation Environment Specifications

Maximum Temperature	70°C
Minimum Temperature	-15°C