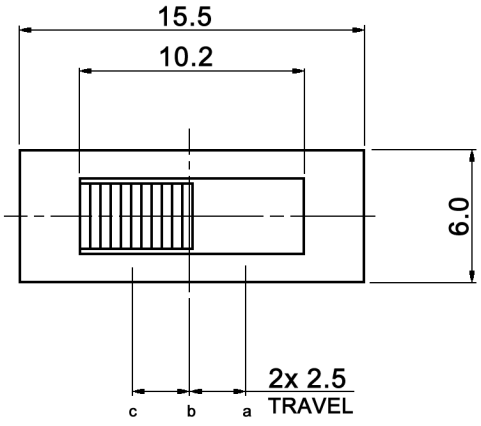
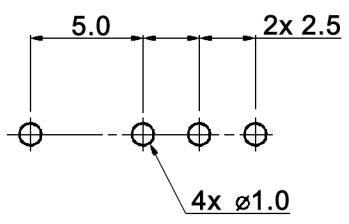


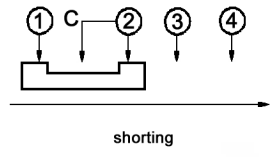
HOLE LAYOUT  $\oplus 0.05$



Specifications:

- Contact rating: 0.35A, 30V DC
- Contact resistance: 30mOhm max.
- Insulation resistance: 100MOhm min. at 500V DC for 1 minute
- Dielectric strength: 500V AC (50/60Hz, 2mA) for 1 minute
- Operating temperature: -10°C to +60°C
- Mechanical life: 10 000 cycles
- Operating force: a-b c-b: 200 +/-100gf  
b-c b-a: 300 +/-150gf
- Soldering conditions: 260 +/-5°C, 5 +/-1 sec.
- Material: Contact clip: phosphor bronze, silver plated  
Steel ball: carbon steel, natural  
Spring: SWC, temper  
Slider: POM, black  
Terminal: brass strip, silver plated  
Base: phenolic resin, natural  
Frame: steel, nickel plated

CIRCUIT DIAGRAM  
C: COMMON PIN  
BOTTOM VIEW



Compliance: RohS II (2011/65/EU)

Tolerances: up to 10: ±0.2mm above 10-50: ±0.3mm	Date	Name
	04/12	dr
Modifications	Date	Name

**MFP 1323**

**30 26 13**

**knitter-switch**