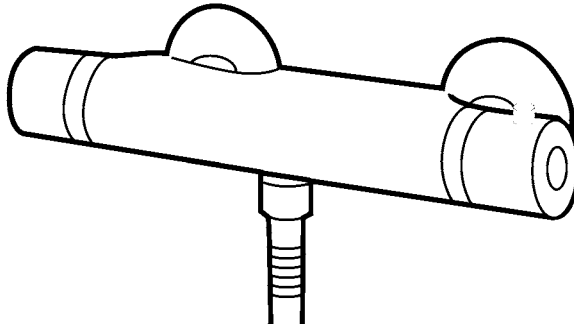


Your Guide to the installation, care
and maintenance of

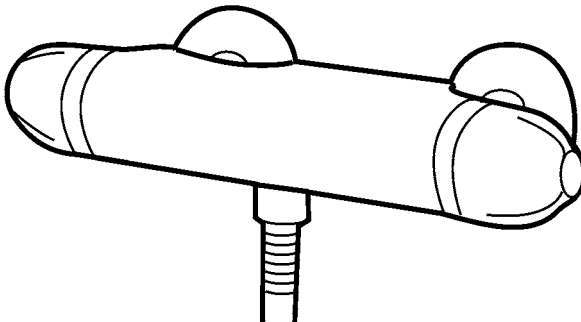
Komo & Mimo

Exposed Thermostatic Bar Showers

4S4001, 4S4011



Komo Exposed Thermostatic Bar Shower 4S4001



Mimo Exposed Thermostatic Bar Shower 4S4011

pegler

OPERATING SPECIFICATION

Hot water supply temperature:

Maximum: 85°C

Minimum: 5°C Higher than maximum required mixed temperature.
Advisable 65°C

Minimum difference between hot and cold mixed temperature is 10°C

Operating Pressure

Maximum: 5 Bar

Minimum: 0.1 Bar

Operating pressure (on hot and cold line) should be kept as balanced as possible in order to assure maximum efficiency.

When the supply is higher than 5 Bar a pressure reducing valve should be fitted before the shower valve.

TECHNICAL DATA

The temperature control knob is fitted with auto stop at 43°C to avoid scalding. The mixer ports are Supplied 3/4 BSP threads. The mixer is provided with an outlet at base of the mixer.

PLUMBING RECOMMENDATIONS.

An independant hot and cold water supply is required for the shower system (do not pipe off the main) please refer to installation diagrams.

Large runs of pipe work will cause frictional loss of pressure.

The recommended pipework from both cylinder and water tank should be 22mm minimum for low pressure systems.

If more than one shower valve is installed the minimum feed from tank to cylinder should be 28mm. (Ensure adequate supply of both hot and cold water can be maintained).

INSTALLATION

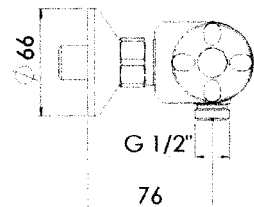
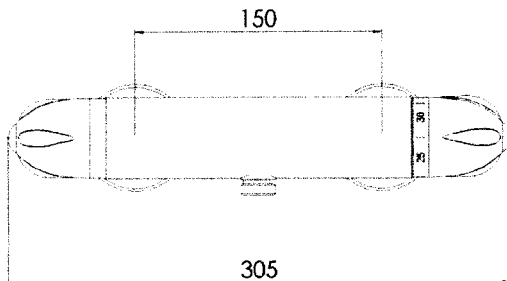
IMPORTANT: Rinse pipe work carefully prior to fitting the mixer.

Install mixer with the water outlet facing downwards and the temperature control to the right. The centre between the water inlets is max: 155 min: 145

the hot water supply connects to the left hand marked with a red dot. The flexible shower hose fits the outlet at the bottom of the mixer.

place sealing washers inside mixer nuts. Screw unions into mixer nuts and tighten with 30mm spanner.

Turn on water supply and check for leaks.



TEMPERATURE SETTING

The mixer has been set in the factory under balanced pressures to maximum 43°C. Where conditions are different from the above, the temperature of mixed water may vary from these settings. You can adjust the calibration of the mixer to suit individual requirements.

FOLLOW THESE INSTRUCTIONS CAREFULLY

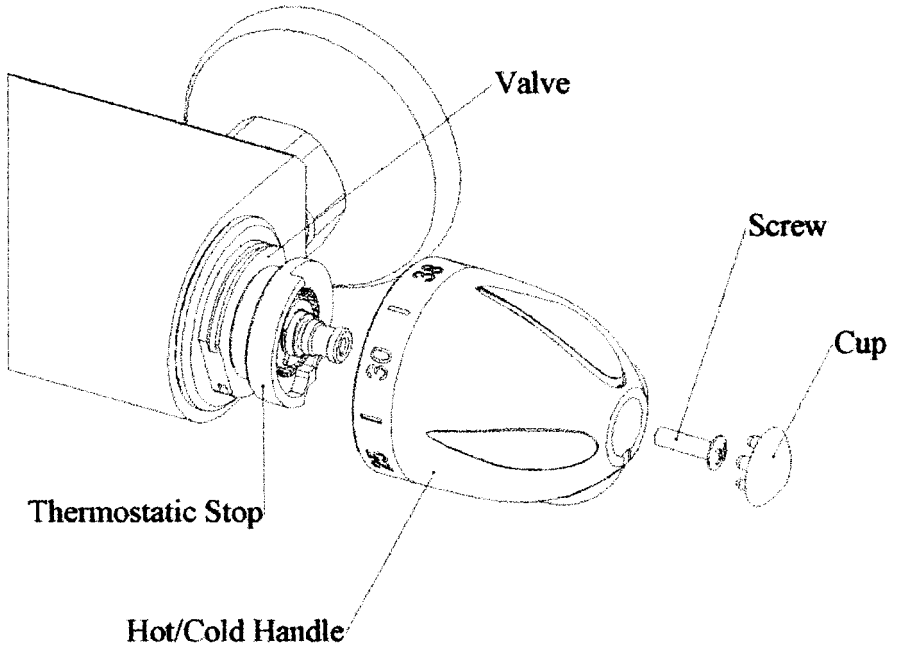
The valve is set to a maximum 43°C. Check this is the case by using a thermometer in the water flow from the valve.

If you require hotter flow re-set the calibration.

Remove the clip from hot/cold control. remove screw. The control knob can now be pulled off.

Turn the valve until the temperature is at the required level. Test again using a thermometer.

When water temperature is at the required level re-fit screw and cup.



CLEANING FILTERS

Through years of use impurities and limescale could restrict flow of water through the filters of the cartridge. To clean the filter:

Shut off water supply to both inlets. Unscrew mixer and clean filters.



e x p e r i e n c e d e s i g n i n n o v a t i o n

For further information, please contact your appropriate sales office.

HEAD OFFICE

Pegler Limited,
St Catherine's Avenue,
Doncaster,
South Yorkshire DN4 8DF.

Tel: 01302 560560
Fax: 01302 367661
Internet: www.pegler.co.uk

EXPORT

Tel: 44 (0)1302 855656
Fax: 44 (0)1302 730513

Email: export@pegler.co.uk

UK

Northern team:
Tel: 0870 1200281
Fax: 01302 560108

Southern team:
Tel: 0870 1200282
Fax: 01302 560458

Western team:
Tel: 0870 1200283
Fax: 01302 560109

Email: uk.sales@pegler.co.uk

Technical customcare line **0870 1200285**

www.pegler.co.uk

5 YEAR
GUARANTEE

Showers are guaranteed for 5 years from the date of purchase.
Full guarantee details are available on request.