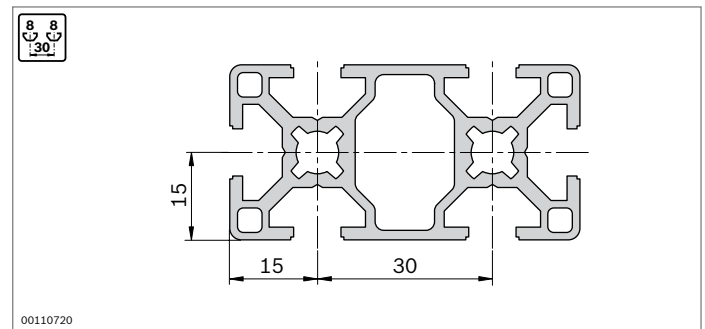
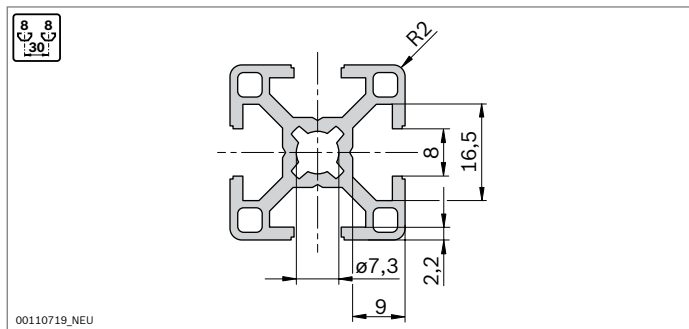


## Strut profiles with 8 mm slot

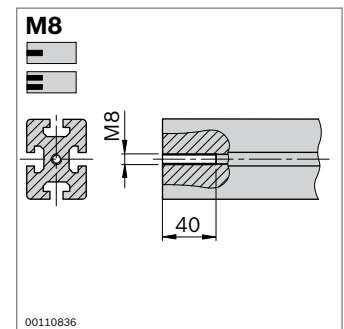
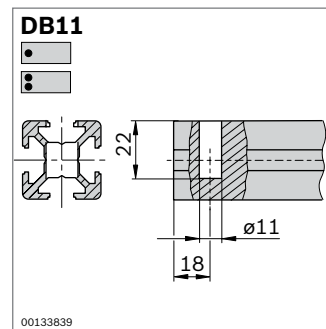
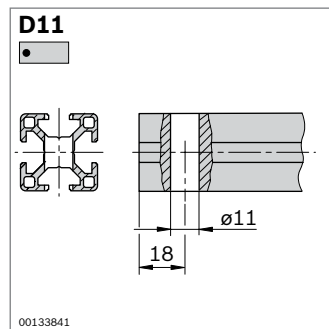
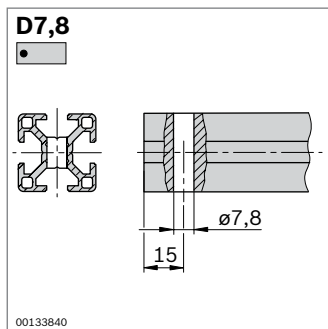
Strut profiles with a 8 mm slot are suitable for medium loads, such as material shuttles, light fixtures, frames and partition walls.

Profile 30x60x60 is suitable for constructing showcases and flow racks. Attractive covers and hoods can be designed with radius profiles.

### Slot, modular dimensions, central bore



### Profile finishing

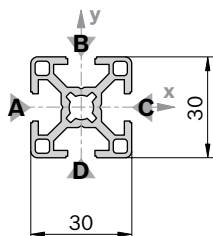


### Minimum profile lengths (mm) for Quick & Easy standard profile finishing on one or both sides

	-	M8	D7.8	D11/DB11
-	50	50	50	50
M8	50	80	62	70
D7.8	50	62	60	50
D11/DB11	50	70	50	60

**30x30**

A = 3,1 cm<sup>2</sup>  
 I<sub>x</sub> = 2,8 cm<sup>4</sup>  
 I<sub>y</sub> = 2,8 cm<sup>4</sup>  
 W<sub>x</sub> = 1,8 cm<sup>3</sup>  
 W<sub>y</sub> = 1,8 cm<sup>3</sup>  
 m = 0,9 kg/m



19178

Cover cap	Color	ESD	No.
30x30 (1x)	Signal gray		100 <b>3 842 548 744</b>
30x30 (1x)	Black		20 <b>3 842 548 745</b>

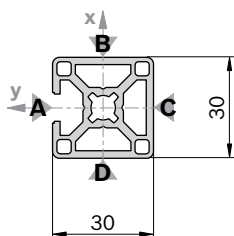
Material: PP

Cover cap with hole	Color	ESD	No.
30x30 (1x)	Signal gray		20 <b>3 842 548 774</b>
30x30 (1x)	Black		20 <b>3 842 548 775</b>

Material: PP

**30x30 1N**

A = 3,7 cm<sup>2</sup>  
 I<sub>x</sub> = 3,1 cm<sup>4</sup>  
 I<sub>y</sub> = 3,5 cm<sup>4</sup>  
 W<sub>x</sub> = 2,0 cm<sup>3</sup>  
 W<sub>y</sub> = 2,3 cm<sup>3</sup>  
 m = 1,0 kg/m

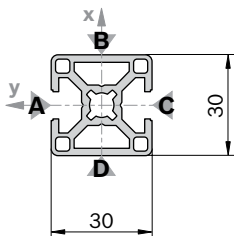


19179

Cover cap: See 30x30

**30x30 2N**

A = 3,5 cm<sup>2</sup>  
 I<sub>x</sub> = 2,8 cm<sup>4</sup>  
 I<sub>y</sub> = 3,5 cm<sup>4</sup>  
 W<sub>x</sub> = 2,1 cm<sup>3</sup>  
 W<sub>y</sub> = 2,7 cm<sup>3</sup>  
 m = 1,0 kg/m



19180

Cover cap: See 30x30

30x30	L (mm)	No.
1 pcs	50 ... 5600	<b>3 842 990 720 / L</b>
1 pcs M8	50 ... 5600	<b>3 842 990 721 / L</b>
1 pcs M8	80 ... 5600	<b>3 842 990 723 / L</b>
1 pcs M8	70 ... 5600	<b>3 842 990 724 / L</b>
1 pcs D7,8	60 ... 5600	<b>3 842 992 965 / L</b>
1 pcs D11	50 ... 5600	<b>3 842 990 722 / L</b>
1 pcs D11	60 ... 5600	<b>3 842 990 725 / L</b>
1 pcs D11	60 ... 5600	<b>3 842 990 726 / L</b>
20 pcs	5600	<b>3 842 509 178</b>

**Quick & Easy** (p. 2-8, see fold-out section)

30x30	3 842 993 703 / ...
Length L (mm)	50 ... 5600
Standard profile finishing (note minimum length, p. 2-16)	M8 / D7.8 / D11 / DB11
Customized profile finishing (L <sub>max</sub> = 4900 mm)	DI / DIS / MT / MTS / MI / MIS / DG <sup>1)</sup>

<sup>1)</sup> DG<sub>max</sub> = 45°; L<sub>min1</sub> / L<sub>min2</sub> = 352 / 404 mm

30x30 1N	L (mm)	No.
1 pcs	50 ... 5600	<b>3 842 992 397 / L</b>
20 pcs	5600	<b>3 842 506 948</b>

**Quick & Easy** (p. 2-8, see fold-out section)

30x30 1N	3 842 993 704 / ...
Length L (mm)	50 ... 5600
Standard profile finishing (note minimum length, p. 2-16)	M8 / D7.8 / D11 / DB11
Customized profile finishing (L <sub>max</sub> = 4900 mm)	DI / DIS / MT / MTS / MI / MIS / DG <sup>1)</sup>

<sup>1)</sup> DG<sub>max</sub> = 45°; L<sub>min1</sub> / L<sub>min2</sub> = 352 / 404 mm

30x30 2N	L (mm)	No.
1 pcs	50 ... 5600	<b>3 842 992 399 / L</b>
20 pcs	5600	<b>3 842 506 950</b>

**Quick & Easy** (p. 2-8, see fold-out section)

30x30 2N	3 842 993 705 / ...
Length L (mm)	50 ... 5600
Standard profile finishing (note minimum length, p. 2-16)	M8 / D7.8 / D11 / DB11
Customized profile finishing (L <sub>max</sub> = 4900 mm)	DI / DIS / MT / MTS / MI / MIS / DG <sup>1)</sup>

<sup>1)</sup> DG<sub>max</sub> = 45°; L<sub>min1</sub> / L<sub>min2</sub> = 352 / 404 mm