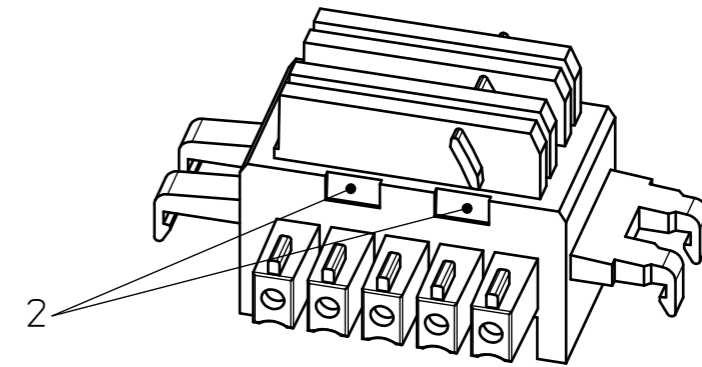
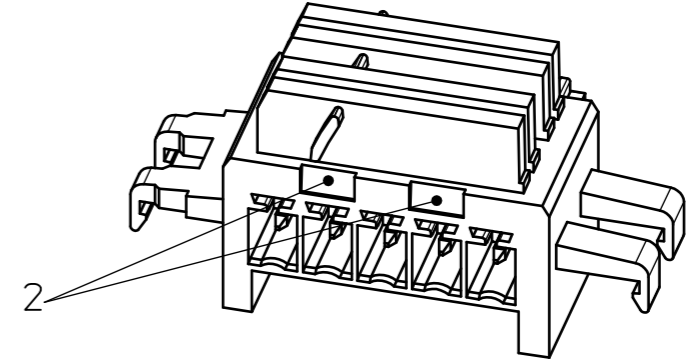
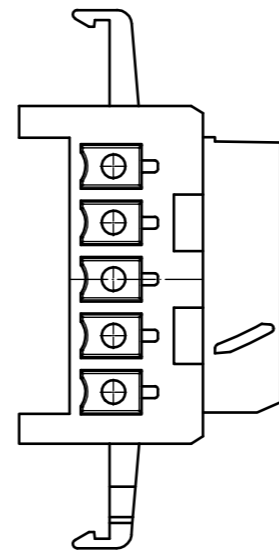
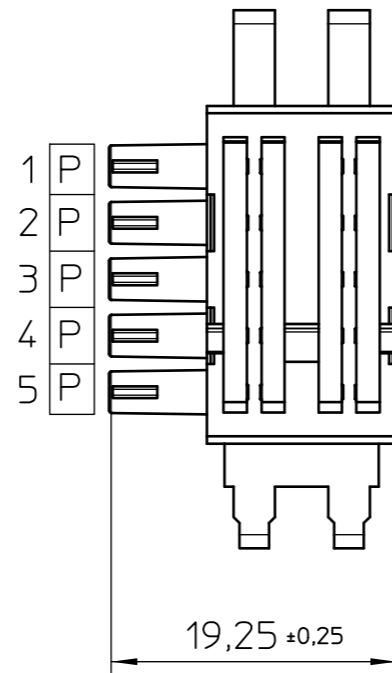
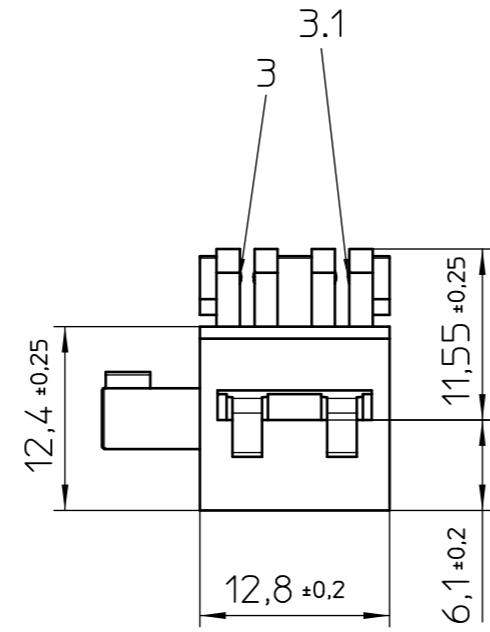
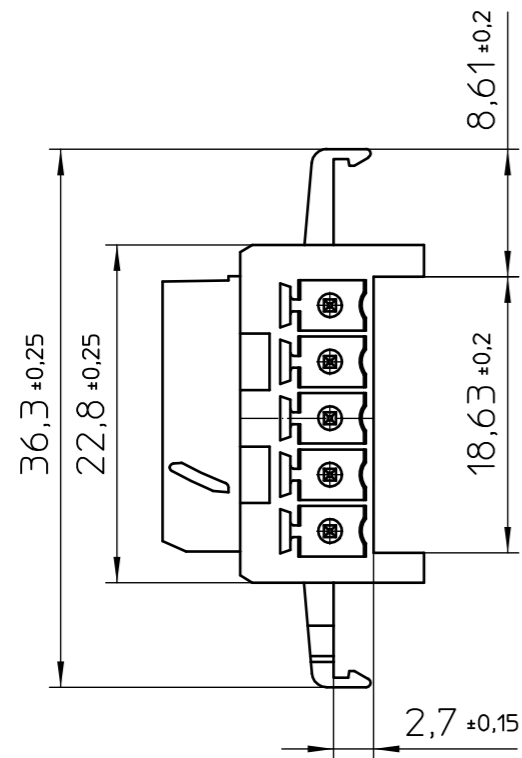


Transfer or duplication of this document as well as the utilisation or communication of its content are not permitted unless express consent is granted. Violations give rise to claims for damages. All rights reserved in case of patent, utility model or design patent registrations.

Weitergabe sowie Vervielfältigung dieses Dokuments, Verwertung und Mitteilung seines Inhalts sind verboten, soweit nicht ausdrücklich gestattet. Zuwiderhandlungen verpflichten zu Schadenersatz. Alle Rechte für den Fall der Patent-, Gebrauchsmuster- oder Designeintragung vorbehalten.



General Information

- Simplified representation
- Document excluded from change process
- Linear dimensions [mm]
- CAD data see Download-Center on www.phoenixcontact.com
- Tolerances, apply in a normale climate according to DIN 50014-23/50-2, with about 2% (% by weight) moisture content.

1. Mounting rail like EN 60715: TH 35-7,5 or mounting rail TH 35-15x1,5 similar to EN 60715
2. Disassembly notch to seperate BUS module with screwdriver
3. Connection with ME MAX 6,2 TBUS
- 3.1 Connection with ME MAX 6,2/12,5 TBUS

schematic symbol	description	electrical symbol
P	parallel	

	DIN A3	document-No. / RI 00839243 / 02	date 22.02.2016	scale 2:1
		ident.-No. 2969401	document-type Customer drawing	
page 1	of 1	description ME 6,2 TBUS-2 1,5/5-ST-3,81KMGY		