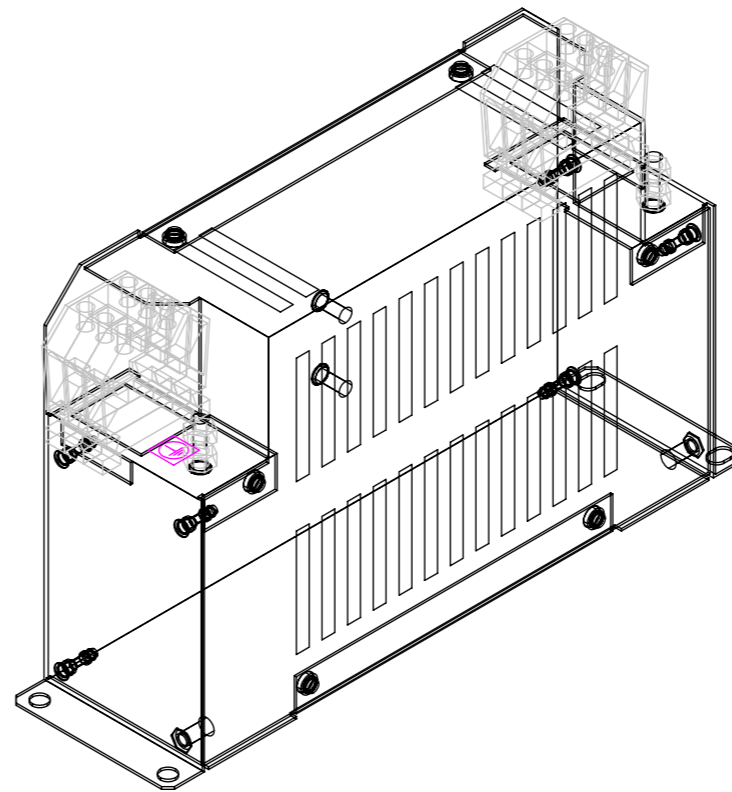
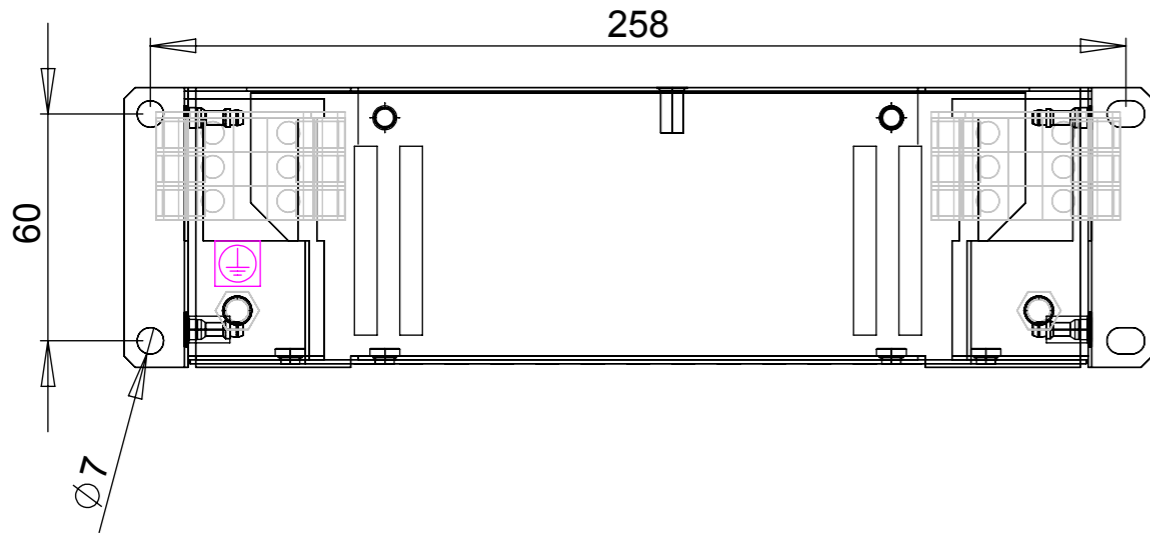
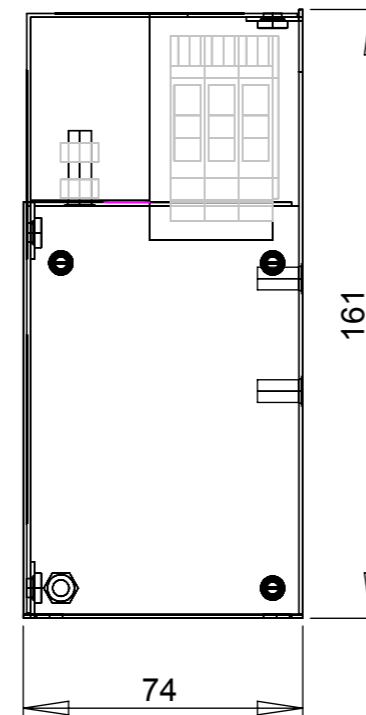
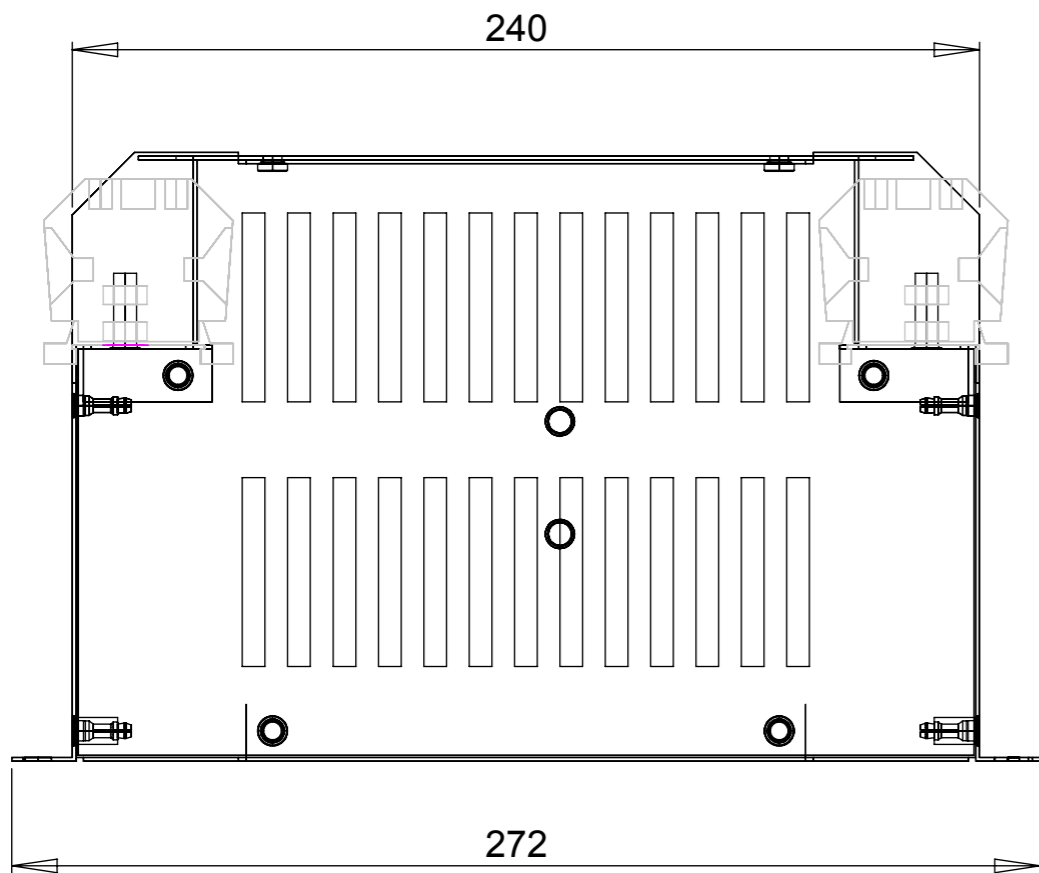


REV.	CNN	CNN DESCRIPTION	Date	Check in
03	-	ROHS MISSING	19/01/2010	Shaun Barron
03	-	ROHS MISSING	19/01/2010	Shaun Barron



SPECIFICATIONS

VOLTAGE 500Vac
 FREQUENCY 50/60Hz
 CURRENT 36A @ 40°C
 TEMPERATURE -25 TO 100°C
 LEAKAGE CURRENT 42mA @ 500V 50Hz
 HUMIDITY 90% RH (NON-CONDENSING)
 VIBRATION 10-200Hz 1.8G
 ELECTRIC STRENGTH 2250Vac/1min.
 POWER DISSIPATION 16W
 MASS 2.7kg
 TERMINALS 10sqmm TERMINAL BLOCK
 EARTH TERMINALS M6 STUD
 FLANGE MOUNTING 4x M6




RoHS
2002/95/EC

Compliant

Tel No.+44(0)1724273200 Website www.dem-uk.com




PROPRIETARY AND CONFIDENTIAL
 THE INFORMATION CONTAINED IN THIS DRAWING IS THE SOLE PROPERTY OF
ALPHA 3 MANUFACTURING.
 ANY REPRODUCTION IN PART OR AS A WHOLE WITHOUT THE WRITTEN
 PERMISSION OF
ALPHA 3 MANUFACTURING IS PROHIBITED.

DEM  DEM Manufacturing, Deltron Emcon House
 Hargreaves Way, Sawcliffe Ind. Park,
 Scunthorpe, North Lincolnshire, DN15 8RF, UK

UNLESS OTHERWISE SPECIFIED:
 DIMENSIONS ARE IN MILLIMETRES
 LINEAR TOLERANCE:
NO DECIMAL PLACES ±0.5mm
1 DECIMAL PLACE ±0.25mm
2 DECIMAL PLACES ±0.125mm
 ANGULAR TOLERANCE: ±1°

FINISH	-	DEBURR AND BREAK SHARP EDGES
MATERIAL	-	
IF IN DOUBT ASK DO NOT SCALE DRAWING		

DRAWN BY	AT
APPROVED BY	AT
THIRD ANGLE PROJECTION	
	

SHEET 1 OF 1
SCALE 1:2
A3

TITLE	GENERAL SPECIFICATION 3 PHASE 36A 500V INDUSTRIAL FILTER	
DRAWING NO.	KMF336	ISSUE 03
		Release