

Linear/Saturating Choke



Description

- Linear/saturating choke
- Flexible wire
- Low noise development by using iron powder toroids instead of conventional iron lamination cores
- Fully potted resign

Standards

- EN 60938

Applications

- Phase angle control circuits with thyristors, triacs or transistors
- The choke acts at its optimum when it is mounted directly at the interference originator (thyristor, triac)

Weblinks

[pdf-datasheet](#), [html-datasheet](#), [General Product Information](#), [Approvals](#), [CE declaration of conformity](#), [RoHS](#), [CHINA-RoHS](#), [REACH](#), [e-Shop](#), [SCHURTER-Stock-Check](#), [Distributor-Stock-Check](#), [Detailed request for product](#)

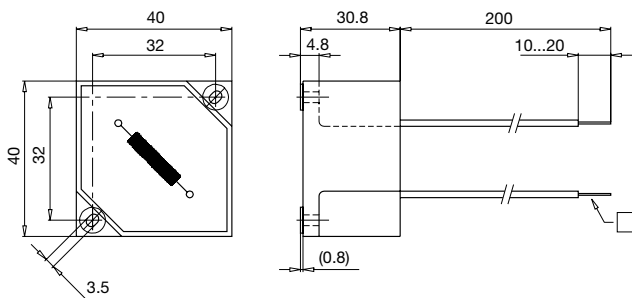
Technical Data

| | |
|---------------------------|---------------------|
| Rated voltage | up to 440 VAC |
| Rated Current | 5 - 45 A @ Ta 45 °C |
| Power Operating Frequency | 50 Hz |
| Terminal technic | THT, Flexible wire |
| Weight | 149 - 1423 g |
| Material: Housing | UL 94V-0 |
| Sealing Compound | UL 94V-0 |

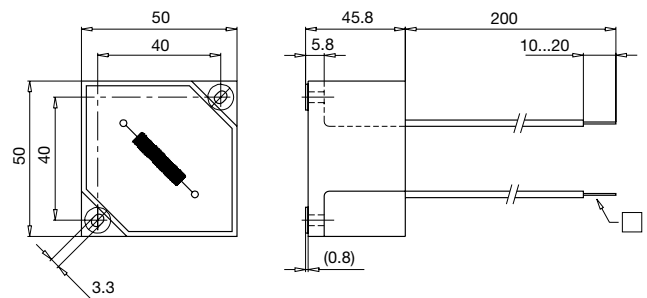
| | |
|---------------------------|-------------------------------|
| Isolation Voltage | 2 kV eff., winding to ambient |
| Climatic Category | 25/100/21 acc. to IEC 60068-1 |
| Allowable Operation Temp. | -25 °C to 100 °C |

Dimension

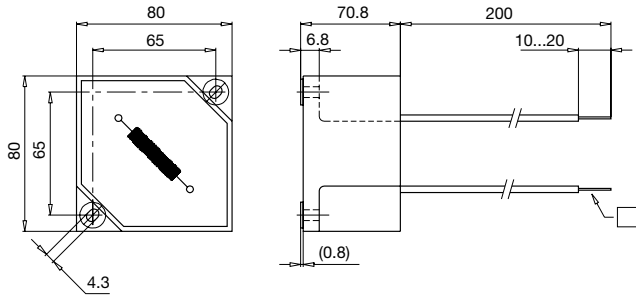
Case 25W



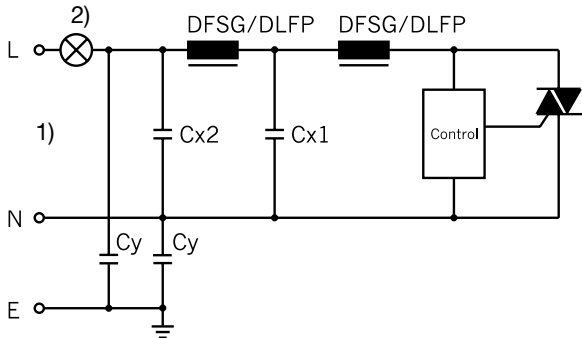
Case 47W



Case 32W

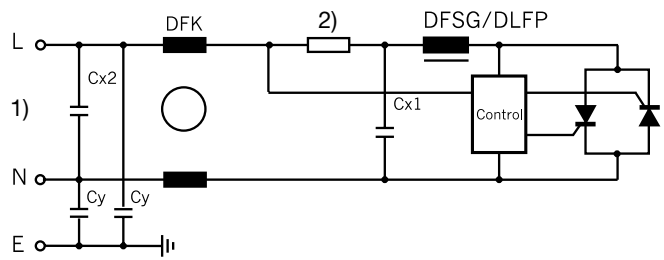


Diagrams



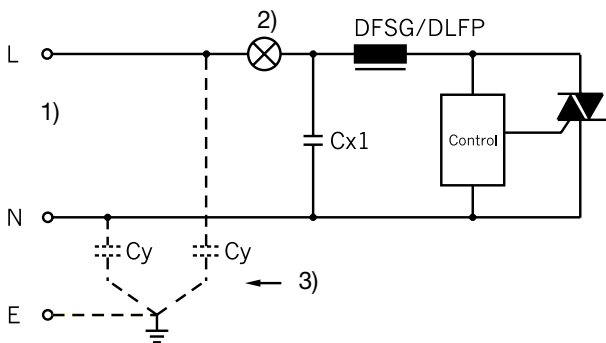
Interference suppression with resistive load, 2-phase

- 1) Line
- 2) Load



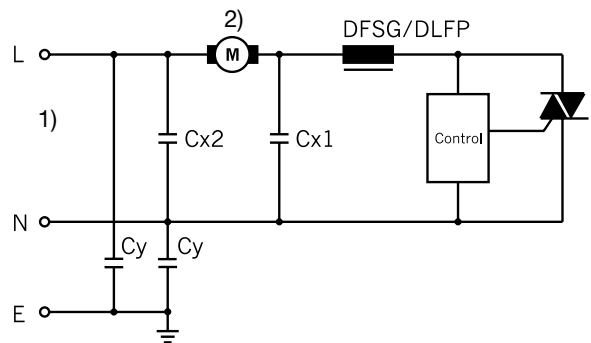
Interference suppression with resistive load, 2-stage

- DFSG: Radio interference suppression saturation choke
- DFK: Radio interference suppression choke magnetically condensed
- 1) Line
- 2) Load



Interference suppression with resistive load, < 10A, e.g. dimmers circuit (DFSG)

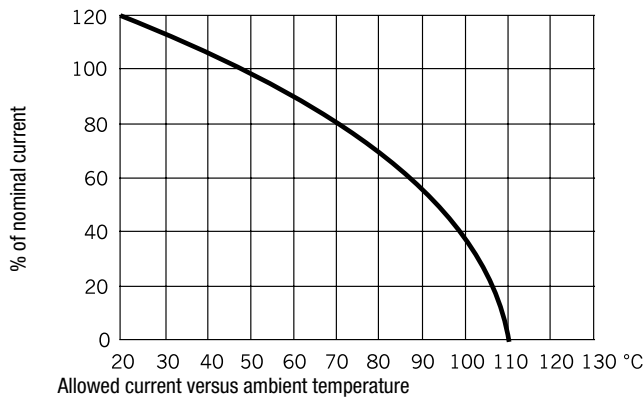
- 1) Line
- 2) Load
- 3) only to protection class I



Interference suppression with inductive load

- 1) Line
- 2) Load

Derating Curves



All Variants

| I_n [A] | L_n [mH] | Inductance drop max [%] | R_{cu} [mΩ] | Tripped Power Dissipation | f_{RES} [MHz] | Cx [μF] | Copper ø [mm] | Weight [g] | Housing | Packing unit [pcs.] | Order Number |
|-----------|------------|-------------------------|---------------|---------------------------|-----------------|---------|---------------|------------|---------|---------------------|----------------|
| 5 | 1 | 60 | 120 | 3 | 0.8 | 0.047 | 1 | 149g | 25W | 10 | DLFP-0125-0501 |
| 8 | 0.5 | 60 | 54 | 3.5 | 1.32 | 0.1 | 1.25 | 150g | 25W | 10 | DLFP-0125-08D5 |
| 45 | 0.2 | 70 | 6 | 12 | 1.1 | 1 | 5 | 1423g | 32W | 2 | DLFP-0132-45D2 |
| 12 | 0.5 | 60 | 38 | 5.5 | 1.16 | 0.1 | 1.7 | 350g | 47W | 6 | DLFP-0147-12D5 |
| 16 | 0.3 | 60 | 25 | 6.4 | 1.69 | 0.22 | 1.8 | 320g | 47W | 6 | DLFP-0147-16D3 |
| 25 | 0.15 | 60 | 10 | 6.3 | 2.5 | 0.47 | 2.36 | 350g | 47W | 6 | DLFP-0147-25D2 |
| 35 | 0.05 | 60 | 5.3 | 6.5 | 3.5 | 1.5 | 1.5 x 4.5 | 338g | 47W | 6 | DLFP-0147-35C5 |

Most Popular.

Availability for all products can be searched real-time: <http://www.schurter.com/en/Stock-Check/Stock-Check-SCHURTER>

Inductance drop at I_n