

## Cable socket, self-assembly

### Product description

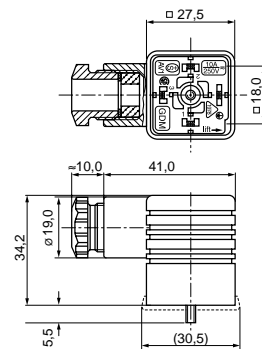
- durable angled connectors, dust and splash protected (IEC 60529 – IP 65)
- vibration-proof locking using a central screw available for tool-free actuation or as a knurled screw
- wide range of cable diameters from 4.5 mm to 14 mm using different PG glands
- patent-protected combiatio terminal for connecting flex wire with wire end ferrules or fixture of fork-type cable shoes/eye directly under the screw head

### Product features

- hydraulic, pneumatic, electromagnetic actuators; e.g. solenoid valves, pressure sensors, flow indicators.
- heat eningeering: gas appliance and oil burner controls (GDMW) to DIN VDE 0722/DIN 3394 T1
- in appliances and equipment subject to vibrations, e.g. track-bound vehicles, building machinery, conveying systems, using the crimp connection method (GDMC)

### Further information

see technical data in the catalog Rectangular connectors for automation technique DS 280 490-440.



GDM 2009

poles	type	cable gland	type or connection	color	approvals	order no.
2+ ⊕	GDM 2009	PG 9	S	black	CE, S, 1973	931 965-100
	GDM 2009 J	PG 9	S / CS / CE	grey	CE, S, 1973, UL	931 965-106
	GDM 2011	PG 11	S	black	CE, S, 1973	931 236-100
	GDM 2011 J	PG 11	S / CS / CE	grey	CE, S, 1973, UL	931 236-106
3+ ⊕	GDM 2014 J	ISO 228-G1/2(R1/2")	S / CS / CE	black	CE, S, 1973, UL	931 957-100
	GDM 3009	PG 9	S	black	CE, S, 1973	931 957-106
	GDM 3009 J	PG 9	S / CS / CE	grey	CE, S, 1973, UL	932 106-100
	GDM 3011	PG 11	S	black	CE, S, 1973	932 106-106
	GDM 3011 J	PG 11	S / CS / CE	grey	CE, S, 1973, UL	932 107-100
	GDM 3014 J	ISO 228-G1/2 (R1/2")	S / CS / CE	black	CE, S, 1973, UL	931 969-100
	GDMF 3009	PG 16	S	black	CE, S, 1973, UL	931 969-106
	GDMW 3011 CF	PG 11	S	black	CE, S, 1973, UL	932 214-100
	GDMW 3011 DF	PG 11	S	grey	CE, S, 1973, UL	932 214-106
	GDMW 3011	PG 11	S	black	CE, S, 1973, UL	931 952-100
2+/3+ ⊕	GDMC 0009 JPT	PG 9	C	grey	CE, S, 1973, UL	931 952-106
	GDMC 0011 JPT	PG 11	C	black	CE, S, 1973, UL	932 109-100
	GDMC 3011	PG 11	C	grey	CE, S, 1973, UL	932 109-106
	GDMC 3011	PG 11	C	black	CE, S, 1973, UL	932 110-100
	GDMC 3011	PG 11	C	black	CE, S, 1973, UL	933 944-100
	GDMC 3011	PG 11	C	grey	CE, S, 1973, UL	932 545-200
						932 545-206
						932 547-200
						932 547-206
						933 583-100
						933 583-106
						933 364-100
						933 364-106
						931 963-100

S = screw; CS = cable shoe; CE = cable eye; C = crimps

## Cable socket with electronic insert

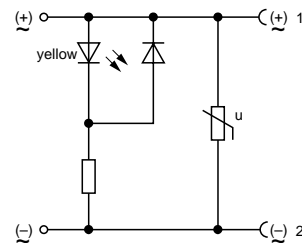


### Product features

- with integrated electronic circuits such as rectifiers, optical status displays, protective elements etc. for the connection of appliances or elements which do not have these functions integrated (GDML, GDME)
- integrated electronic circuitry in many standard versions or according to your specifications

### Further information

see technical data in the catalog  
Rectangular connectors  
for automation technique  
DS 280 490-440.



GDML 2011 LED 24 VR YE

poles	type	operating voltage	description	LED color	Pg color	order no.	
2+ ⊕	GDML 2009 RC 230 1	UC 250 V	RC element		black	933 802-112	
	GDML 2011 GB1	UC 250 V	bridge-type rectifier		black	932 329-100	
	GDML 2011 GBC	UC 250 V	bridge-type rectifier and capacitor		grey	932 329-106	
	GDML 2011 GE1 G	UC 250 V	half-wave rectifier		black	932 923-100	
	GDML 2011 GB1 LED 24	UC 24 V	bridge-type rectifier and varistor	red	black	932 330-100	
	GDML 2011 LED 24 GB	UC 24 V	LED rectifier and varistor	red	black	932 446-002	
	GDML 2011 LED 24	UC 24 V	function indicator with freewheeling diode	red	black	932 446-003	
	GDML 2011 LED 24 YE	UC 24 V	function indicator with freewheeling diode	yellow	black	932 501-002	
	GDML 2011 LED 24 HH-P	UC 24 V	half-wave rectifier	red	black	932 501-003	
	GDML 2011 LED 24 HH	DC 24 V	function indicator with protective circuit	red	black	932 527-002	
	GDML 2011 LED 24 HH YE	DC 24 V	function indicator with protective circuit	yellow	black	932 332-002	
	GDML 2011 LED 24 VR YE	UC 24 V	function indicator with freewheeling diode and varistor	yellow	black	932 332-003	
	GDML 2011 LED 24 VR	UC 24 V	function indicator with freewheeling diode and varistor	red	black	932 527-002	
	GDML 2011 J 2 LED 24	UC 24 V	function indicator double LED	red	black	932 527-003	
	GDML 2011 J 2 LED 24 VR	UC 24 V	function indicator double LED and varistor	red	black	932 444-002	
	GDML 2011 LED 48 HH	DC 48 V	function indicator with protective circuit	red	black	932 444-003	
	GDML 2011 LED 48 VR	UC 48 V	function indicator with freewheeling diode and varistor	red	black	932 336-002	
	GDML 2011 LED 48 VR YE	UC 48 V	function indicator with freewheeling diode and varistor	yellow	black	932 336-003	
						grey	932 640-002
						black	932 640-003



## Cable socket with electronic insert (continuation)

poles	type	operating voltage	description	LED color	Pg color	order no.
2+ ⊕	GDML 2011 GB1 LED 48	UC 48 V	bridge-type rectifier and varistor	red	black	933 925-212
	GDML 2011 LED 120 YE	UC 120 V	function indicator	yellow	grey	933 925-712
	GDML 2011 LED 120 VR YE	UC 120 V	function indicator with free-wheeling diode and varistor	yellow	black	933 738-212
	GDML 2011 J 120 LG	UC 120 V	glow lamp		grey	933 738-712
	GDML 2011 LED 230 YE	UC 250 V	function indicator	yellow	black	933 927-212
	GDML 2011 LED 230 VR YE	UC 250 V	function indicator with free-wheeling diode and varistor	yellow	grey	933 927-712
	GDML 2011 J LG 230	UC 250 V	glow lamp		black	933 998-100
3+ ⊕	GDML 3011 LED 24 BO	DC 24 V	function indicator for pressure switch	red	grey	933 998-106
	GDML 3011 LED 24 RG	DC 24 V	function indicator for pressure switch	double LED red/green	black	933 739-212
	GDML 3011 LED 230 RG	UC 250 V	function indicator for pressure switch	double LED red/green	grey	933 739-712
					black	933 916-212
					grey	933 916-712
					black	933 999-100
				grey	933 999-106	
				black	932 856-002	
				grey	932 856-003	
				black	932 857-002	
				black	933 748-212	
				grey	933 748-712	

## Cable socket to accept electronic inserts

### Product features

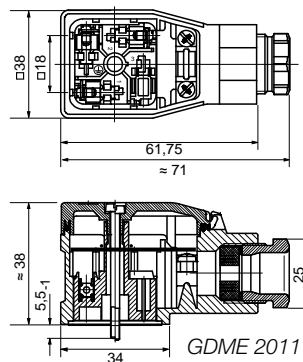
- cable socket with transparent cover
- strain relief
- possibility to fit electronic inserts

### Variation

with integral timer circuit

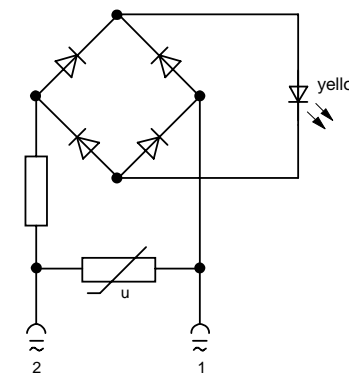
### Further information

see technical data in the catalog  
Rectangular connectors for automation technique  
DS 280 490-440.



poles	type	operating voltage	description	color	approvals	order no.
2+ ⊕	GDME 2011	AC 400 V, DC 250 V	cable socket with central screw M3 x 40	black	UL 1978	933 029-100
	GDME 2013	AC 400 V, DC 250 V	cable socket with central screw M3 x 40	grey	UL 1978	933 029-106
3+ ⊕	GDME 2011 Timer	AC 48 V, DC 24 V	cable socket with timer circuit	black	UL 1978	933 030-100
	GDME 3011	AC 400 V, DC 250 V	cable socket with central screw M3 x 40	grey	UL 1978	933 030-106
				black	UL 1978	933 719-100
				grey	UL 1978	933 719-106
	GDME 3013	AC 400 V, DC 250 V	cable socket with central screw M3 x 40	black	UL 1978	933 022-100
				grey	UL 1978	933 022-106
				black	UL 1978	933 031-100
				grey	UL 1978	933 031-106

## Electronic inserts for GDME



GDME-LED 24 GB YE

### Product features

with electronic circuits such as rectifiers, optical status displays, protective elements etc. for the connection of appliances or elements which do not have these functions integrated

### Further information

see technical data in the catalog Rectangular connectors for automation technique DS 280 490-440.

type	operating voltage	description	LED-color	order no.
GDME-LED 24 GB YE	UC 24 V	LED rectifier with protective circuit and function indicator	yellow	831 870-001
GDME-LED 24 HH YE	DC 24 V	function indicator with protective circuit	yellow	831 873-001
GDME-LED 24 YE	UV 24 V	function indicator with freewheeling diode	yellow	831 863-001
GDME-LED 24	UV 24 V	function indicator with freewheeling diode	red	831 839-001
GDME-HDL 24 YE	UV 24 V	function indicator with freewheeling diode	yellow	832 028-001
GDME 2 LED 24	UV 24 V	function indicator (2 LED'S)	yellow/green	831 876-001
GDME-LED 48 YE RE	UC 48 V	function indicator with freewheeling diode and varistor	yellow	831 858-001
GDME-GB1 LG 120	UC 120 V	bridge-type rectifier with protective circuit and function indicator	glow lamp	831 836-001
GDME-LG 120	UC 120 V	function indicator	glow lamp	831 826-001
GDME-GB1 LG 230	UC 250 V	bridge-type rectifier with protective circuit and function indicator	glow lamp	831 834-001
GDME-GB1	UC 250 V	bridge-type rectifier with protective circuit		831 832-001
GDME-LG 230	UC 250 V	function indicator	glow lamp	831 824-001
GDME-UV1		unequipped circuit board with 2 fork type springs and 2 clamping box		931 415-001
GDME-UV3 N		unequipped circuit board with 2 fork type springs and 2 flat head terminals		931 954-001

## Molded cable socket

**Product description**  
preassembled and molded-on cable socket without integrated electronic circuitry

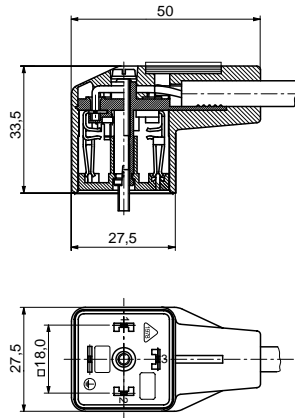
### Variations

- PVC grey (additional colors, cable material, length... on application)
- 0° and 180° cable outlet
- connected protective earth (PE) allows 0° and 180° assembly

### Further information

see technical data in the catalog  
Rectangular connectors for automation technique  
DS 280 490-440.

**For tailor-made systems,**  
see page 24

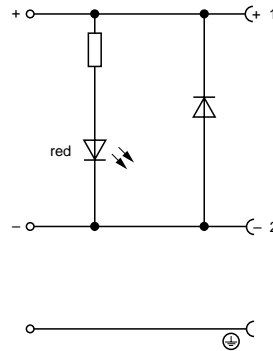


GDM-K 3000



poles	type	length	color	operating voltage	description	order no.
2+ ⊕	GDM-K 2000	2m	black grey	UC 250 V		933 096-111 933 096-611
		5m	black grey	UC 250 V		933 096-112 933 096-612
	GDM-K 2000 Z	2m	black grey	UC 250 V	180 ° cable outlet	933 133-111 933 133-611
		5m	black grey	UC 250 V	180 ° cable outlet	933 133-112 933 133-612
	GDM-K 2000 PE 2	2m	black grey	UC 250 V	PE connected	933 655-111 933 655-611
		5m	black grey	UC 250 V	PE connected	933 655-112 933 655-612
3+ ⊕	GDM-K 3000	2m	black grey	UC 250 V		933 095-111 933 095-611
		5m	black grey	UC 250 V		933 095-112 933 095-612
	GDM-K 3000 Z	2m	black grey	UC 250 V	180° cable outlet	933 136-111 933 136-611
		5m	black grey	UC 250 V	180° cable outlet	933 136-112 933 136-612

## Molded cable socket, with electronic insert



GDML-K 2000 LED 24 HH

### Product description

assembled and molded cable sockets with integrated electronic circuitry and/or LED displays

### Variations

- PVC grey (additional colors, cable material, length... on application)
- 0° and 180° cable outlet
- connected protective earth (PE) allows 0° and 180° assembly

### Further information

see technical data in the catalog  
Rectangular connectors for automation technique  
DS 280 490-440.

**For tailor-made systems,**  
see page 24

poles	type	length	color	voltage	description	LED-color	order no.
2+ ⊕	GDML-K 2000 PE 2 LED 24 HH	2m	black	DC 24 V	function indicator with protective circuit PE connected	red	933 413-111
		5m	grey	DC 24 V	function indicator with protective circuit PE connected	red	933 413-611
	GDML-K 2000 PE 2 LED 24 GB 1 ZZ	2m	black	UC 24 V	LED rectifier with Z-diode and function indicator PE connected	yellow	933 413-612
		5m	grey	UC 24 V	LED rectifier with Z-diode and function indicator PE connected	yellow	933 656-111
	GDML-K 2000 LED 24 GB 1 ZZ	2m	black	UC 24 V	LED rectifier with Z-diode and function indicator	yellow	933 656-112
		5m	grey	UC 24 V	LED rectifier with Z-diode and function indicator	yellow	933 656-612
	GDML-K 2000 Z LED 24 GB 1 ZZ	2m	black	UC 24 V	LED rectifier with Z-diode and function indicator 180° cable outlet	yellow	933 105-111
		5m	grey	UC 24 V	LED rectifier with Z-diode and function indicator 180° cable outlet	yellow	933 105-611
	GDML-K 2000 LED 24 HH	2m	black	DC 24 V	function indicator with protective circuit	red	933 105-112
		5m	grey	DC 24 V	function indicator with protective circuit	red	933 105-612
	GDML-K 2000 Z LED 24 HH	2m	black	DC 24 V	function indicator with protective circuit 180° cable outlet	red	933 121-111
		5m	grey	DC 24 V	function indicator with protective circuit 180° cable outlet	red	933 121-611
	GDML-K 2000 LED 120 HH VR	2m	black	UC 120 V	function indicator with protective circuit	red	933 121-612
		5m	grey	UC 120 V	function indicator with protective circuit	red	933 106-111
	GDML-K 2000 LED 230 HH VR	2m	black	UC 250 V	function indicator with protective circuit	red	933 106-611
		5m	grey	UC 250 V	function indicator with protective circuit	red	933 106-112
	GDML-K 2000 LED 120 HH VR	2m	black	UC 120 V	function indicator with protective circuit	red	933 106-612
		5m	grey	UC 120 V	function indicator with protective circuit	red	933 124-111
	GDML-K 2000 LED 230 HH VR	2m	black	UC 250 V	function indicator with protective circuit	red	933 124-611
		5m	grey	UC 250 V	function indicator with protective circuit	red	933 124-112
	GDML-K 2000 LED 120 HH VR	2m	black	UC 120 V	function indicator with protective circuit	red	933 124-612
		5m	grey	UC 120 V	function indicator with protective circuit	red	933 108-111
	GDML-K 2000 LED 230 HH VR	2m	black	UC 250 V	function indicator with protective circuit	red	933 108-611
		5m	grey	UC 250 V	function indicator with protective circuit	red	933 108-112
	GDML-K 2000 LED 230 HH VR	2m	black	UC 250 V	function indicator with protective circuit	red	933 108-612
		5m	grey	UC 250 V	function indicator with protective circuit	red	933 107-111
	GDML-K 2000 LED 230 HH VR	2m	black	UC 250 V	function indicator with protective circuit	red	933 107-611
		5m	grey	UC 250 V	function indicator with protective circuit	red	933 107-112
	GDML-K 2000 LED 230 HH VR	2m	black	UC 250 V	function indicator with protective circuit	red	933 107-612
		5m	grey	UC 250 V	function indicator with protective circuit	red	933 107-612

## Appliance connector

### Product description

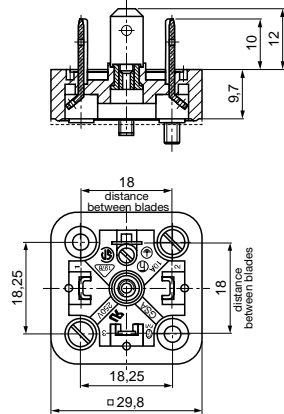
appliance plug (pin plates) for almost all applications

### Product features

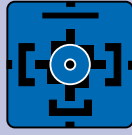
- for sheet metal wall mounting
  - for mounting on flat ang. conduit
  - for moulding-in
  - for screw-in mounting (PG thread)
  - for encapsulation
- pin plates IP 65 without encapsulation

### Further information

see technical data in the catalog  
Rectangular connectors  
for automation technique  
DS 280 490-440.



GSA 2000 N



poles	type	description	approvals	order no.		
2+ ⊕	GSA 2000	longitudinal slots, open nut		932 591-500		
	GSA 2000 A	longitudinal slots, closed nut		932 592-500		
	GSA 2000 N	open nut		932 967-100		
	GSA-U 2000 N LO	solder lug		933 378-100		
	GSA-U 2000 N LU	solder cup		933 378-200		
	GSA-U 2075 SK	insulation displacement		933 380-100		
	GSE 2000 N4	installation in sheet metal		932 886-100		
	GSR-U 2000 LS	solder projection, for injection moulding		933 377-300		
	GSR-U 2000 LO	solder lug, for injection moulding		933 377-100		
	GSR-U 2000 LU	solder cup, for injection moulding		933 377-200		
	GSP 211	thread PG 11		931 298-001		
	GSP 212	thread PG 1/2" NPTF		931 298-004		
	GSP 213	thread PG 13,5		931 298-003		
	GSAZ 200	for cylinder gasket		932 429-100		
	3+ ⊕	GSA 3000		longitudinal slots, open nut		932 597-100
		GSA 3000 A		longitudinal slots, closed nut		932 598-500
		GSA 3000 N		open nut		932 968-100
GSA-U 3000 N LO		solder lug	933 379-100			
GSA-U 3000 N LU		solder cup	933 379-200			
GSA-U 3075 SK		insulation displacement	933 381-100			
GSE 3000 N4		installation in sheet metal	932 890-100			
GSR-U 3000 LS		solder projection, for injection moulding	933 376-300			
GSR-U 3000 LO		solder lug, for injection moulding	933 376-100			
GSR-U 3000 LU		solder cup, for injection moulding	933 376-200			
GSP 311		thread PG 11	931 297-001			
GSP 312		thread PG 1/2" NPTF	931 297-004			
GSP 313		thread PG 13,5	931 297-003			
GSP 316		thread PG 16	931 297-002			
GSAZ 300		for cylinder gasket	932 430-100			
2+/3+ ⊕		GSC 300	crimp			931 382-100
		GSCZ 300	crimp for cylinder gasket			932 467-100

## Accessories

### Product features

- flat- und profiled gaskets
- central screws
- protective cap
- measuring adapter (measuring during use)

### Further information

see technical data in the catalog  
Rectangular connectors  
for automation technique  
DS 280 490-440.



type	description	order no.
GDM 3-7	flat gasket NBR	730 801-002
GDM 3-21	flat gasket ECO	731 739-002
GDM 3-16	profiled gasket NBR	731 531-002
SHK 3	protective cap	733 790-002
MESAP 43 650	measuring adapter	932 818-002
GDM 3011-8	central screw with knurled head GDM/GM	732 574-001
GDME 3N-7	central screw with knurled head GDME	732 280-001
GDM 3011 RF-1	stainless steel screw GDM/GM	734 363-001
GSA 200-4	flat gasket NBR	730 843-002
GSA 200-7	flat gasket ECO	730 268-002
GSE 2000-2	flat gasket NBR	733 973-002
GSE 2000-3	flat gasket ECO	733 846-002
GSAZ 35/43	profiled gasket 35-43 mm NBR	733 262-002
GSAZ 35/43	profiled gasket 35-43 mm MPQ	733 261-002
GSAZ 40/62	profiled gasket 40-62 mm NBR	733 264-002
GSAZ 40/62	profiled gasket 40-62 mm MPQ	733 263-002
GSAZ 60/120	profiled gasket 60-120 mm NBR	733 266-002
GSAZ 60/120	profiled gasket 60-120 mm MPQ	733 265-002