

plug - with screwless terminals, for harsh applications

Product description

Order number	21238
EAN/pcs	4024941212380
Product Group	Quick-Connect TE-Plus plug with Multi-Grip cable gland
Amperage	16A
Poles	3p (2P+PE)
Earth 'Clock' Position	6 h
Voltage	200 up to 250V
Frequency	50 and 60Hz
Protection	IP67
Color code	blue RAL 5015
Connection Design	screwless spring-clamp technology as cage clamp
Max. conductor	2,5 mm ²

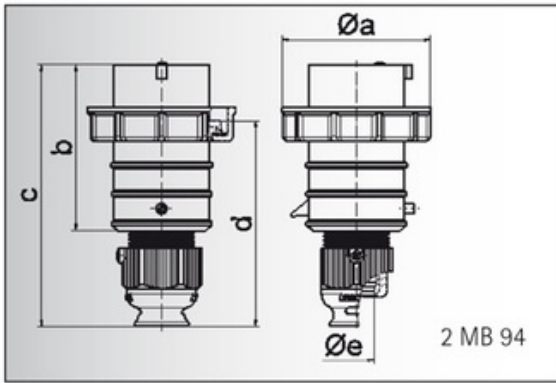


Further Information

Additional technical information	Multi-Grip cable gland with gasket, integrated cable clamp and additional water evacuation openings For cable diameter from 8 up to max. 18 mm
----------------------------------	---

Material

Material of Enclosure	Polyamide
Contact / Contact Carrier	contact carrier made of high temperature resistant material, contacts are brass nickel plated
Weight/pcs	0.149 kg



Ampere	16	16	16	32	32	32
Polzahl	3	4	5	3	4	5
a ø	70,0	78,0	86,0	94,0	94,0	101,0
b	95,0	95,0	97,0	118,0	118,0	117,0
c	145,0	145,0	152,0	178,0	178,0	181,0
d	111,0	111,0	119,0	136,0	136,0	138,5
e ø	18,0	18,0	21,0	23,0	23,0	27,0
Leiter mm ² min	1	1	1	2,5	2,5	2,5
Leiter mm ² max	2,5	2,5	2,5	6	6	6
