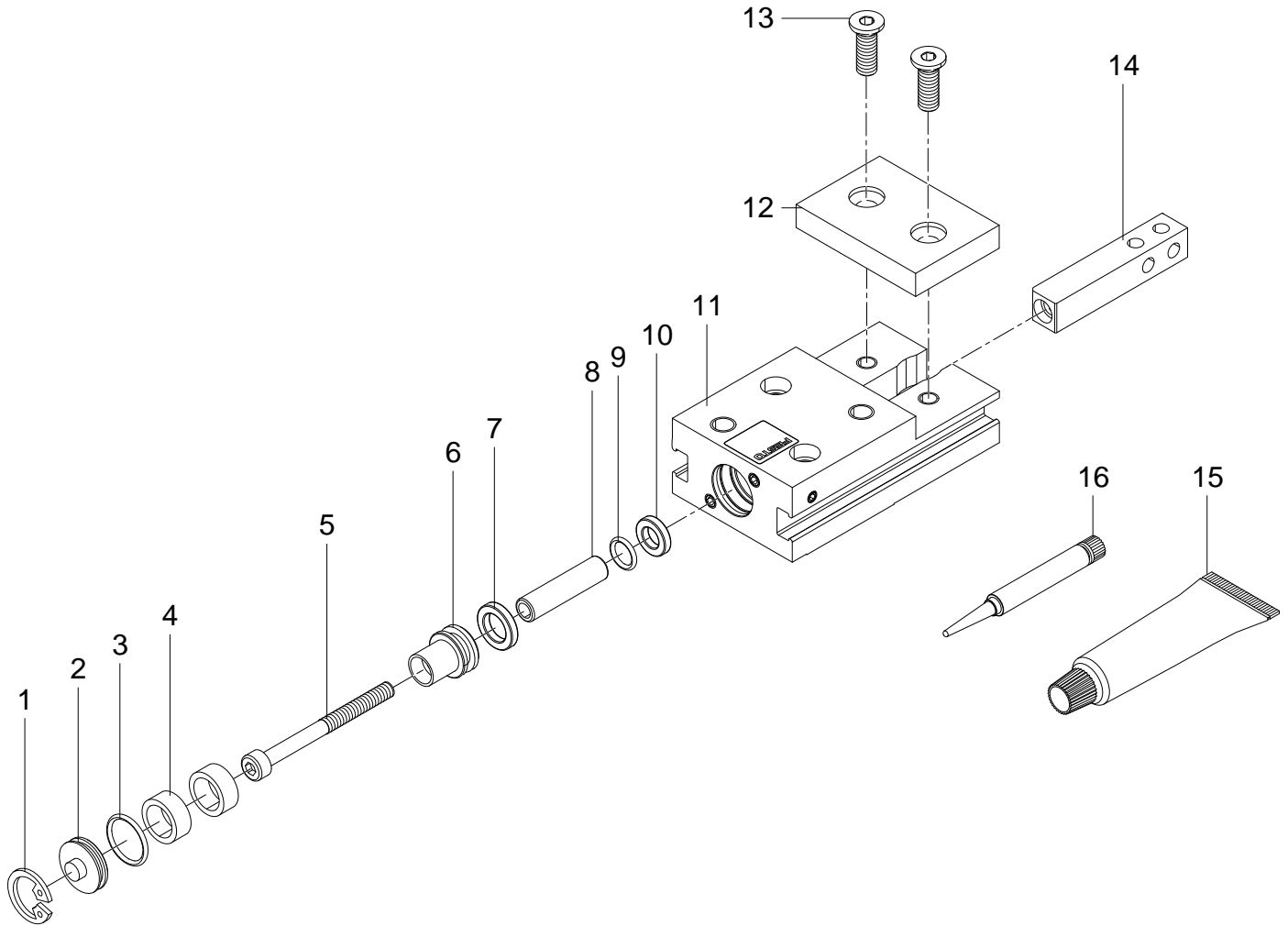


2095359 HPVS-10-10-A Feed separator - Series: All



2095359 HPVS-10-10-A Feed separator - Series: All

Pos.	Part no.	Type	Note	Qty.	Unit
A	718402	HPV-10- Set of wearing parts	Spare parts: 1, 2, 3, 5, 7, 9, 10, 15, 16	1	PC
1			Not available separately, see position A	1	PC
2			Not available separately, see position A	1	PC
3			Not available separately, see position A Grease using during assembly. See position 15	1	PC
4			Not available	2	PC
5			Not available separately, see position A Use locking compound. See position 16	1	PC
6			Not available	1	PC
7			Not available separately, see position A Grease using during assembly. See position 15	1	PC
8			Not available	1	PC
9			Not available separately, see position A Grease using during assembly. See position 15	1	PC
10			Not available separately, see position A Grease using during assembly. See position 15	1	PC
11			Not available	1	PC
12			Not available	1	PC
13			Not available	1	PC
14			Not available	1	PC
15	665354	LUB-KB1-SILIKONFREI-20ML Lubricating grease		1	PC
16	8181256	CYBERBOND TM44 TB1ML Adhesive bonding agent		1	PC