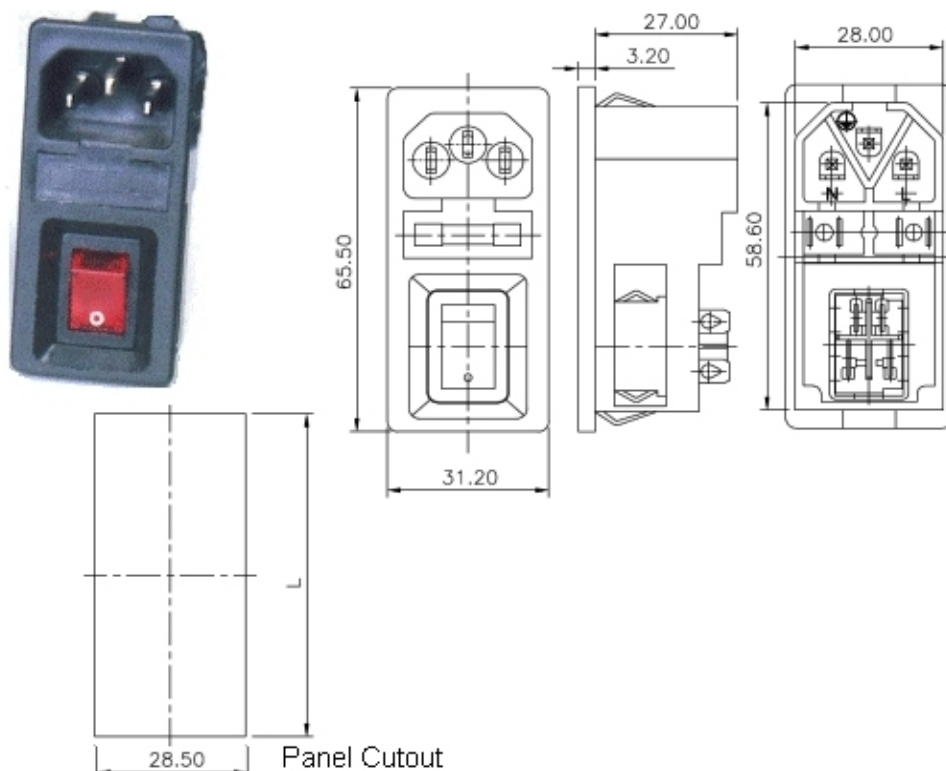


EMI-12



IEC Inlet with fuse holder & illuminated DPST Switch

Specifications

Current & voltage rating:	6Amp, 250VAC
Product Description:	IEC Inlet with fuse holder & illuminated DPST Switch
Panel thickness:	0.8 to 2.5 mm
Permissible temperature - For soldering:	270 deg.C for 5 seconds max.
Permissible temperature - With/without load:	0 to 70deg. C
Approvals:	Self-Certified
Reference Standard:	IEC 60320-1
Material - Body:	Nylon
Material - Terminals:	Copper Alloy, Tin plating
Terminals:	Solder-type / Fast on 4.8X 0.8
Mounting:	Panel, Snap-in type
HV Breakdown test for 1 Minute:	2 KVAC
Insulation Resistance at 500 VDC:	1000 Mohms min.
Contact Resistance (Initial):	10 mohms max.
MOQ:	100 nos.