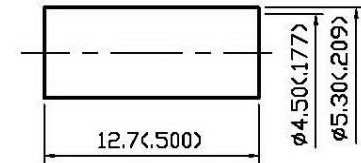
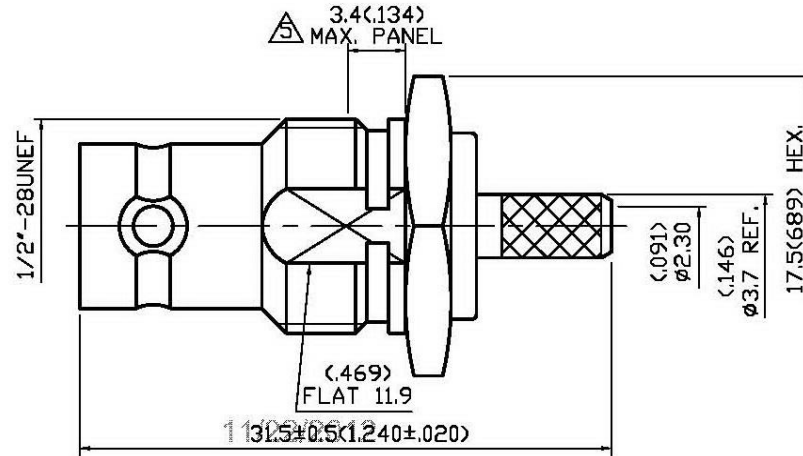
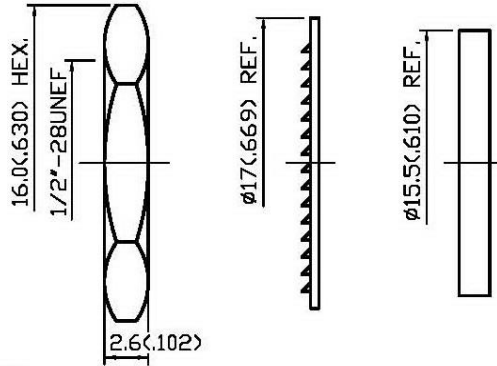


NO	DESCRIPTION	DATE
①	ø0.600 → ø0.5 <sup>+0.1</sup> RING MODIFICATION	06.29.95
②	CHANGE THE DIRECTION OF HEX.	04.14.98'
③	BACKGROUND FORMAT UPDATED	09.08.03'
④	BACKGROUND FORMAT UPDATED	06.01.09'
⑤	WORKING VOLTAGE → VOLTAGE RATING DEL PROOF VOLTAGE ADD 3.4 MAX. PANEL	11.22.12'



### 1.0 ELECTRICAL

- 1.1 FREQUENCY RANGE: DC-1 GHz
- 1.2 NOMINAL IMPEDANCE: 75 OHM
- 1.3 VOLTAGE RATING: 500 VOLTS MAX. ⚠

### 2.0 MATERIALS

- 2.1 BODIES: BRASS PER JIS-C3604
- 2.2 CENTER CONTACT: BRASS PER JIS-C3604
- 2.3 INSULATION: TEFLON PER ASTM D1457 AND ASTM D1710
- 2.4 CRIMP FERRULE: BRASS PER JIS-C2700

### 3.0 FINISHES AND OTHERS

- 3.1 SEE BELOW TABLE FOR DETAILS.

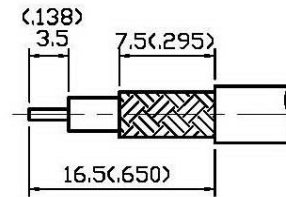
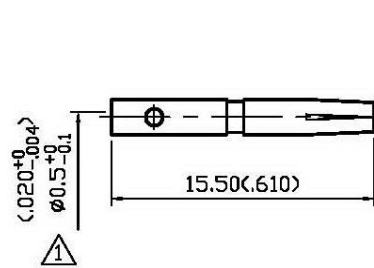
### 4.0 MECHANICAL

- 4.1 FOR USE WITH RG179U OR SIMILAR STYLE CABLE
- 4.2 CABLE ATTACHMENT: OUTER: CRIMP, INNER: SOLDER/CRIMP
- 4.3 CRIMP SIZE REQUIRED: CONTACT: 1.8<(.071)> HEX. CRIMP TOOL  
FERRULE: 4.6<(.181)> HEX. CRIMP TOOL

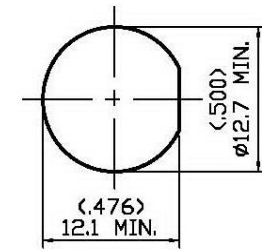
### 5.0 ENVIRONMENTAL

- 5.1 OPERATING TEMPERATURE RANGE: -65° C TO +165° C

8	CENTER CONTACT	BRASS	1	GOLD
7	CRIMP FERRULE	BRASS	1	NICKEL
6	CHASSIS	BRASS	1	NICKEL 100μ" MIN.
5	GASKET	SILICONE	1	NONE
4	INSULATION	TEFLON	1	NONE
3	BODY	BRASS	1	NICKEL 100μ" MIN.
2	WASHER	STEEL	1	NICKEL
1	NUT	BRASS	1	NICKEL
NO	DESCRIPTION	MATERIAL	Q'TY	FINISH



STRIPPING DIMENSION



MOUNTING HOLE

APPROVED

by \_\_\_\_\_ DATE: \_\_\_\_\_



DESCRIPTION		BNC STRAIGHT BULKHEAD JACK CRIMP								
製圖	DRAWN	TOLERANCE	品名	13-11	T.G.N	179U	日期	DATE	版次	REV.
	Yoko									
檢圖	CHECK	.XX	±0.1	單位	mm<in>	DWG.NO.	13-0108			
	Ivan							比例	SCALE	3:1
認定	APPROVAL	.XXX	±0.05							
	Angela	ANGLE	±5°							