



Brand of NTN Group

## Technical data

### UCF215

Bearing units

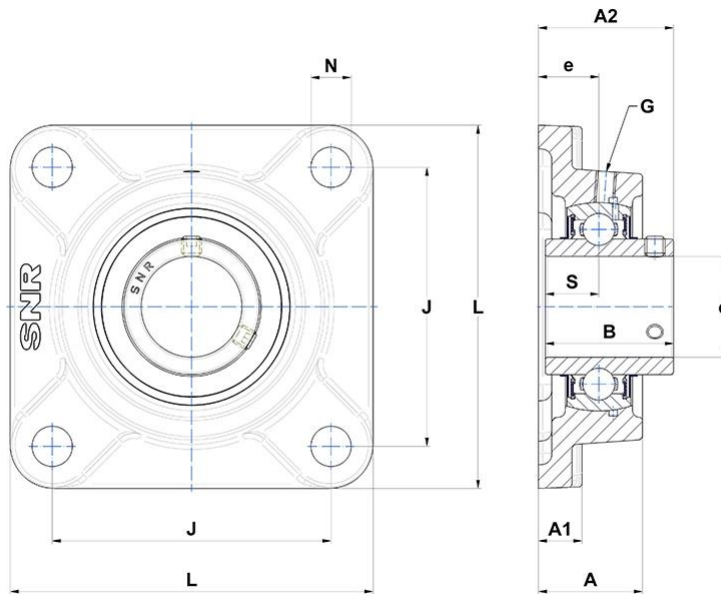


Grey cast housing, radial insert ball bearing with socket set screws, seal with slinger

### KIT CONTENT

UC215G2, F215

### VISUAL (S)



### PRODUCT DEFINITION

|                                                 |         |
|-------------------------------------------------|---------|
| <b>Brand</b>                                    | SNR     |
| <b>A - Housing height</b>                       | 56 mm   |
| <b>A1 - Housing foot height / flange height</b> | 22 mm   |
| <b>A2 - Total height from mounting surface</b>  | 78,5 mm |
| <b>B - Width of Inner Ring</b>                  | 77,8 mm |
| <b>d - Shaft diameter</b>                       | 75 mm   |



**NTN Europe**

1 rue des Usines · BP 2017 · 74010 Annecy Cedex · France · Tel. +33 (0)4 50 65 30 00  
S.A. au capital de 322 639 919 € · RCS ANNECY B 325 821 072 · Id. Fiscale : FR 48 325 821 072  
SIRET 325 821 072 00015 · Code APE 2815 Z · Code NACE 28.15

### PRODUCT DEFINITION

|                                                        |         |
|--------------------------------------------------------|---------|
| <b>e - Distance mounting surface to bearing center</b> | 34 mm   |
| <b>G - Grease fitting</b>                              | M10x1   |
| <b>J - Mounting holes distance</b>                     | 159 mm  |
| <b>L - Housing width / diameter</b>                    | 200 mm  |
| <b>N - Mounting hole dimension</b>                     | 19 mm   |
| <b>S - Distance front side/bearing centre</b>          | 33,3 mm |

### PRODUCT PERFORMANCE

|                                   |             |
|-----------------------------------|-------------|
| <b>C - Dynamic load rating</b>    | 66000000 mN |
| <b>C0 - Static load rating</b>    | 49500000 mN |
| <b>Operating temperature min.</b> | 253,15 °K   |
| <b>Operating temperature max.</b> | 373,15 °K   |

### OTHER FEATURES

|                                                    |         |
|----------------------------------------------------|---------|
| <b>Mass</b>                                        | 5,74 kg |
| <b>Recommended tightening torque for set screw</b> | 33 N-m  |

