

DELTA Universal connection unit Connection socket 1x 8-pole RJ45
 Cat. 6 E Compact technology FLEX LSA-plus terminals Screw
 mounting shielded

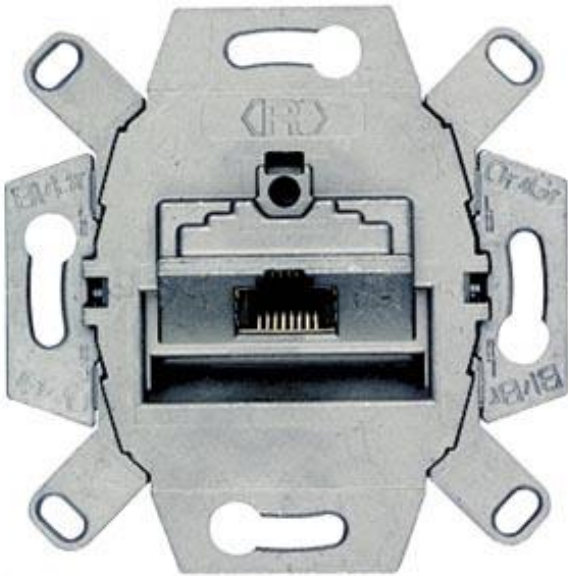


Figure similar

Model	
Product brand name	DELTA
Product designation	Connection socket
Design of the product	Communication
Type of composition	basic element
General technical data	
Mounting type	fixing with screw
Surface processing	others
Product feature / Printed marking	No
Material	others
Protection class	
Protection class IP	IP20
Suitability	
Suitability for operation	universal connection unit/ISDN connection unit
Appearance	
Appearance	not applicable

Color	miscellaneous
-------	---------------

Product details

Product feature	
• Luster terminal	No
• Dust cover	No
Product component	
• Labeling field	No
• Hinged lid	No
• strain relief	No
Product feature	
• halogen-free	Yes
• transparent	No

Mechanical Design

Height	70 mm
Depth	40 mm
Mounting type	flush mounted
Material	metal

Certificates

Declaration of Conformity



Further information

Information- and Downloadcenter (Catalogs, Brochures,...)

<http://www.siemens.com/lowvoltage/catalogs>

Industry Mall (Online ordering system)

<https://mall.industry.siemens.com/mall/en/en/Catalog/product?mlfb=5TG2026-1>

Service&Support (Manuals, Certificates, Characteristics, FAQs,...)

<https://support.industry.siemens.com/cs/ww/en/ps/5TG2026-1>

Image database (product images, 2D dimension drawings, 3D models, device circuit diagrams, ...)

http://www.automation.siemens.com/bilddb/cax_en.aspx?mlfb=5TG2026-1

CAX-Online-Generator

<http://www.siemens.com/cax>

Tender specifications

<http://www.siemens.com/specifications>