**Ordering number CA11482\_LXP2-D**

Family	Leila	FWHM	11 degrees
Type	Assembly	Efficiency	92 %
LED	3535 Ceramic (LEMWA32)	2W cd/lm	15.200
Color	Black	Gerber File	Available
Diameter	21.6 mm		
Height	14.6 mm		
Style	Round		
Optic Material	PMMA		
Holder Material	PC		
Fastening	Tape		
Status	Ready		

**Ordering number CA11483\_LXP2-M**

Family	Leila	FWHM	24 degrees
Type	Assembly	Efficiency	90 %
LED	3535 Ceramic (LEMWA32)	2W cd/lm	4.900
Color	Black	Gerber File	Available
Diameter	21.6 mm		
Height	14.6 mm		
Style	Round		
Optic Material	PMMA		
Holder Material	PC		
Fastening	Tape		
Status	Ready		

**Ordering number CA12392\_LXP2-W**

Family	Leila	FWHM	45 degrees
Type	Assembly	Efficiency	87 %
LED	3535 Ceramic (LEMWA32)	2W cd/lm	1.500
Color	Black	Gerber File	Available
Diameter	21.6 mm		
Height	14.6 mm		
Style	Round		
Optic Material	PMMA		
Holder Material	PC		
Fastening	Tape		
Status	Ready		

**Ordering number CA11484  
Description 1**

Family	Leila	FWHM	11+41 degrees
Type	Assembly	Efficiency	87 %
LED	3535 Ceramic (LEMWA32)	2W cd/lm	4.800
Color	Black	Gerber File	Available
Diameter	21.6 mm		
Height	14.5 mm		
Style	Round		
Optic Material	PMMA		
Holder Material	PC		
Fastening	-		
Status	Ready		



## PRODUCT DATASHEET

### Leila series

last update 24/4/2013

**NOTE: The typical divergence will be changed by different color, chip size and chip position tolerance. The typical total divergence is the full angle measured where the luminous intensity is half of the peak value.**



## PRODUCT DATASHEET

### Leila series

last update 24/4/2013

#### GENERAL INFORMATION

- Product series especially designed & optimized for 3535 Ceramic 2W (LEMWA32) series of LEDs.
- Special care taken to make light distribution as uniform as possible.
- Lens material optical grade PMMA with high UV and temperature resistance. Allows use of high current and temperature conditions.

Please find more information about used material from below:

[http://ledil.fi/sites/default/files/Documents/Technical/Material/PMMA%20N%20UL94\\_Yellow%20Card.pdf](http://ledil.fi/sites/default/files/Documents/Technical/Material/PMMA%20N%20UL94_Yellow%20Card.pdf)

<http://ledil.fi/sites/default/files/Documents/Technical/Material/PMMA%20N%20PLEXIGLAS-Datasheet.pdf>

- Optic holder molded by high quality PC material (120 degrees of Celcius / 248 degrees of Fahrenheit).

- Fastening to heat sink with a PU foam adhesive tape of automotive grade. Please find fastening details by clicking link: [http://www.ledil.com/datasheets/DataSheet\\_TAPE.pdf](http://www.ledil.com/datasheets/DataSheet_TAPE.pdf)

**NOTE 1: We advise customer to ensure the suitability and sufficiency of the bond in the end product. For example, mechanical stress, vibration and holes on the surface of the circuit board weaken the strength of the tape.**

**NOTE 2: Assembly to the surface must be made straight, so the tape bonds constant and balanced with fastening surface. Slanted assembly might cause unbalanced bond to the surface. All surfaces where tape is applied must be clean, dry and free from grease and dirt.**

**If cleaning of PCB surfaces is needed, please follow strictly the cleaning instructions of your LED manufacturer - this is important as cleaning shall under no circumstances damage LEDs or other electronics components on the PCB.**

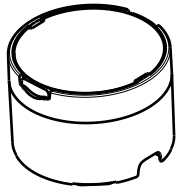
**Further note that optical components shall not be cleaned with any chemicals - only micro fiber cloth may be used to remove fingerprints or other traces from handling.**

D

C

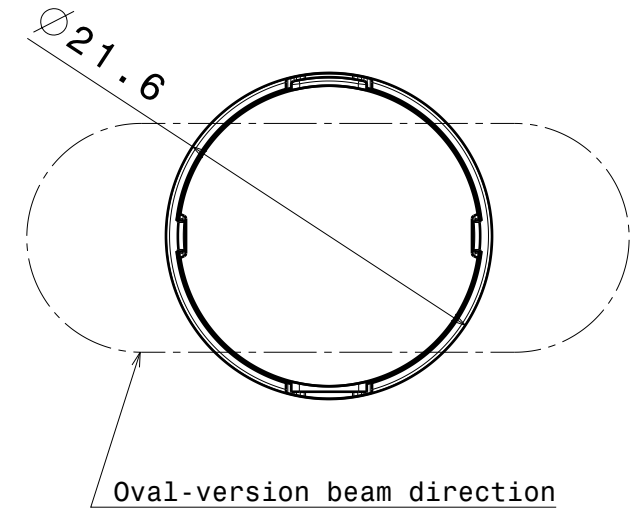
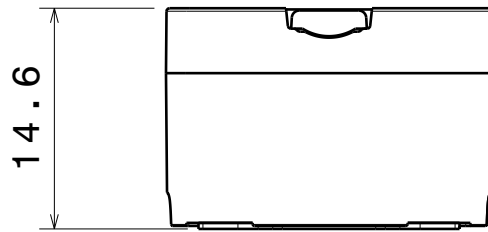
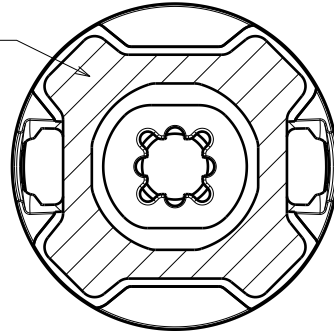
B

A



Isometric view  
Scale: 1:1

Tape 0.4mm



**MATERIALS**  
 Lens: PMMA  
 Holder: PC  
 Tape: PU Foam

**Part no.s:**  
 CA11481\_LXP2-RS  
 CA11481\_LXP2-G-RS  
 CA11482\_LXP2-D  
 CA11482\_LXP2-G-D  
 CA11483\_LXP2-M  
 CA11483\_LXP2-G-M  
 CA11484\_LXP2-O-90  
 CA11484\_LXP2-G-O-90

This drawing is our property.  
 It can't be reproduced  
 or communicated without  
 our written agreement.



L  
T  
F  
F

e  
e  
i  
i  
N  
n

d  
h

DRAWING TITLE

Datasheet Leila LXP2-Series assy

**DRAWN BY**  
p

**DATE**  
02.12.2010

**CHECKED BY**  
t k

**DATE**  
12.04.2010

**SIZE** A4 **DRAWING NUMBER** **REV** 1

**DESIGNED BY**  
pv

**DATE**  
12.04.2010

**SCALE** 2:1 **WEIGHT (g)** - **SHEET** 1/1

D

A

4

4

3

3

2

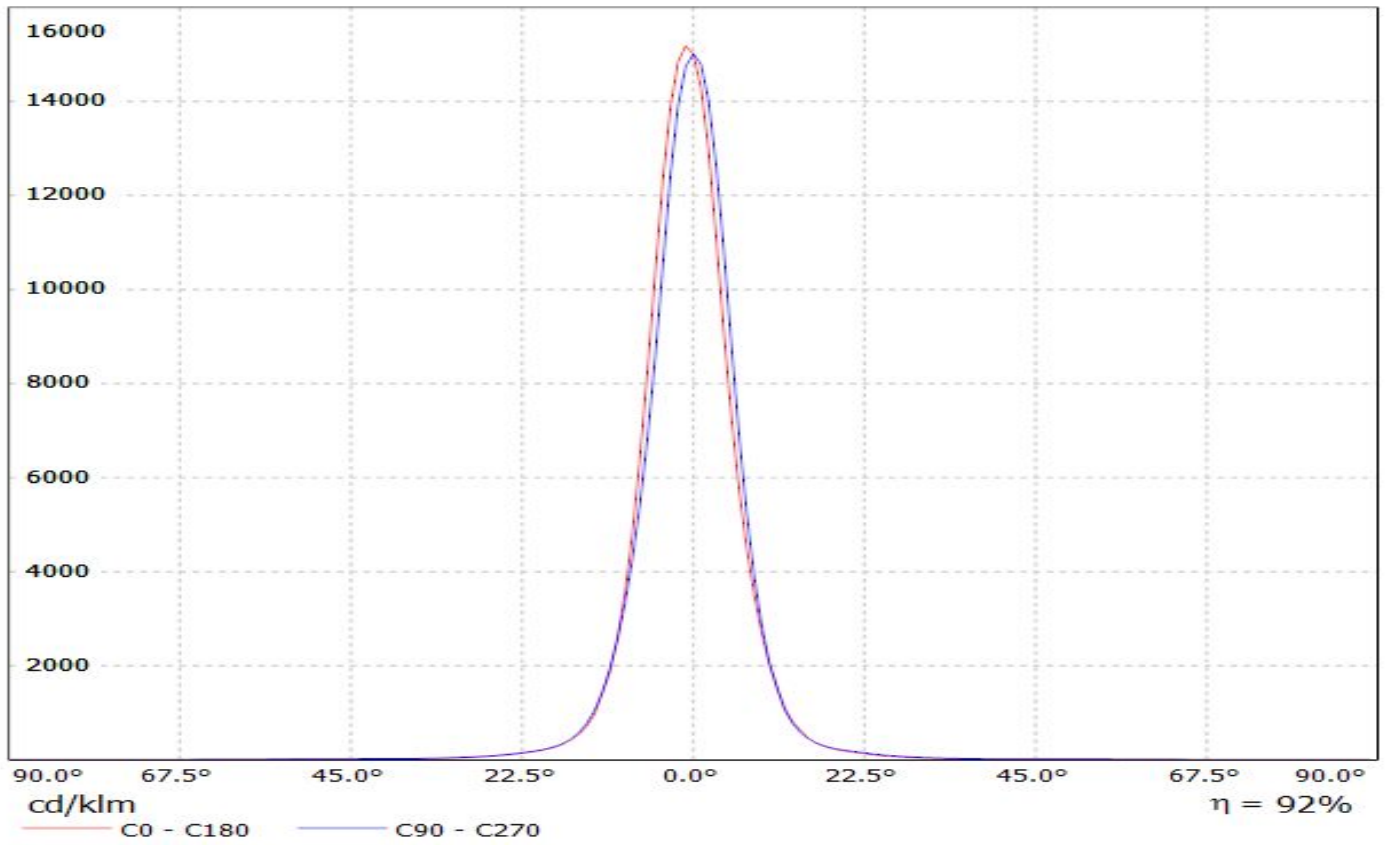
2

1

1

**LEDiL Oy CA11482\_LXP2-D\_(LG3535\_2W) Eff.92.4% / LDC (Linear)**

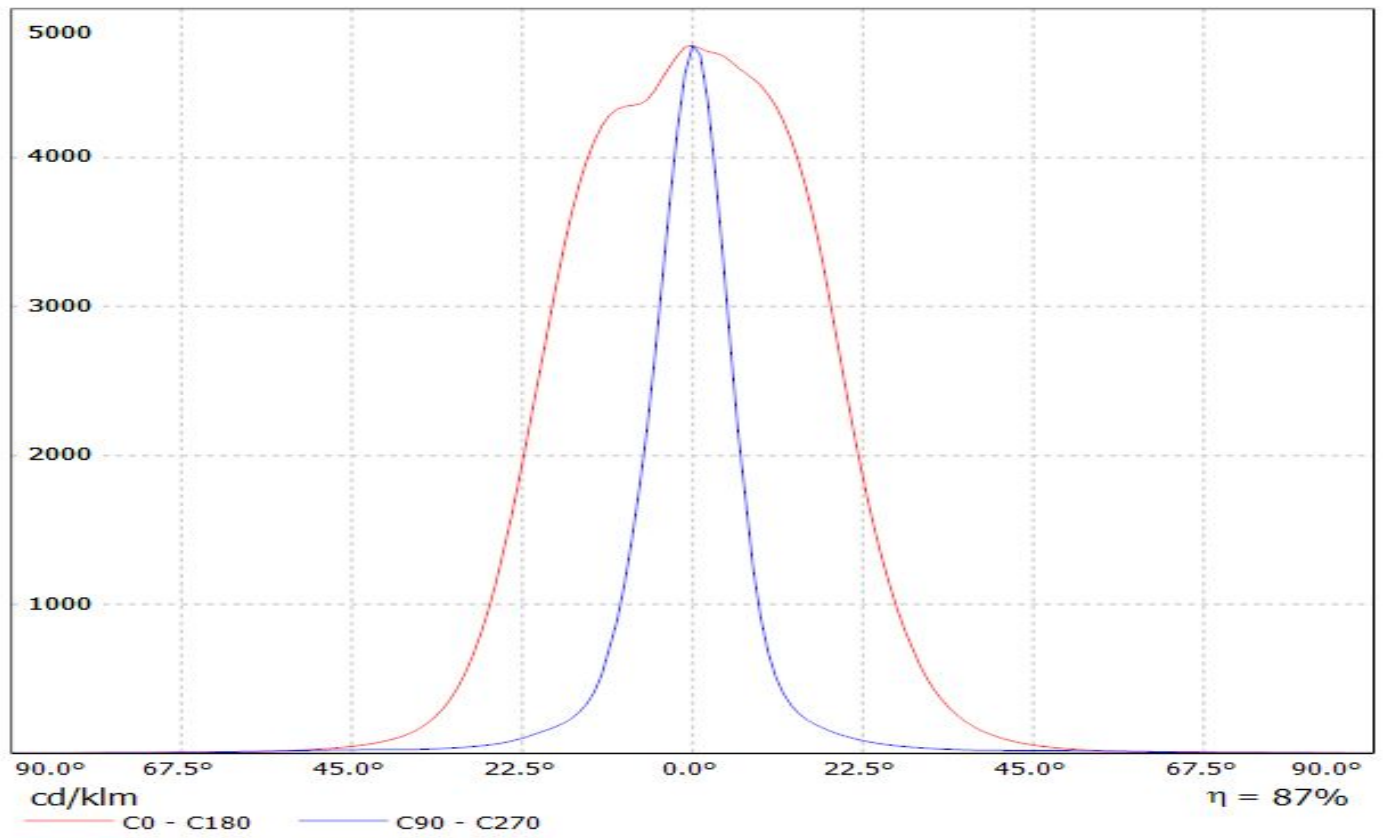
Luminaire: LEDiL Oy CA11482\_LXP2-D\_(LG3535\_2W) Eff.92.4%  
Lamps: 1 x LG3535\_2W (97.2479lm@250mA)



**LEDiL Oy CA11484\_LXP2-O-90\_(LG3535\_2W) Eff.86.6% / LDC (Linear)**

Luminaire: LEDiL Oy CA11484\_LXP2-O-90\_(LG3535\_2W) Eff.86.6%

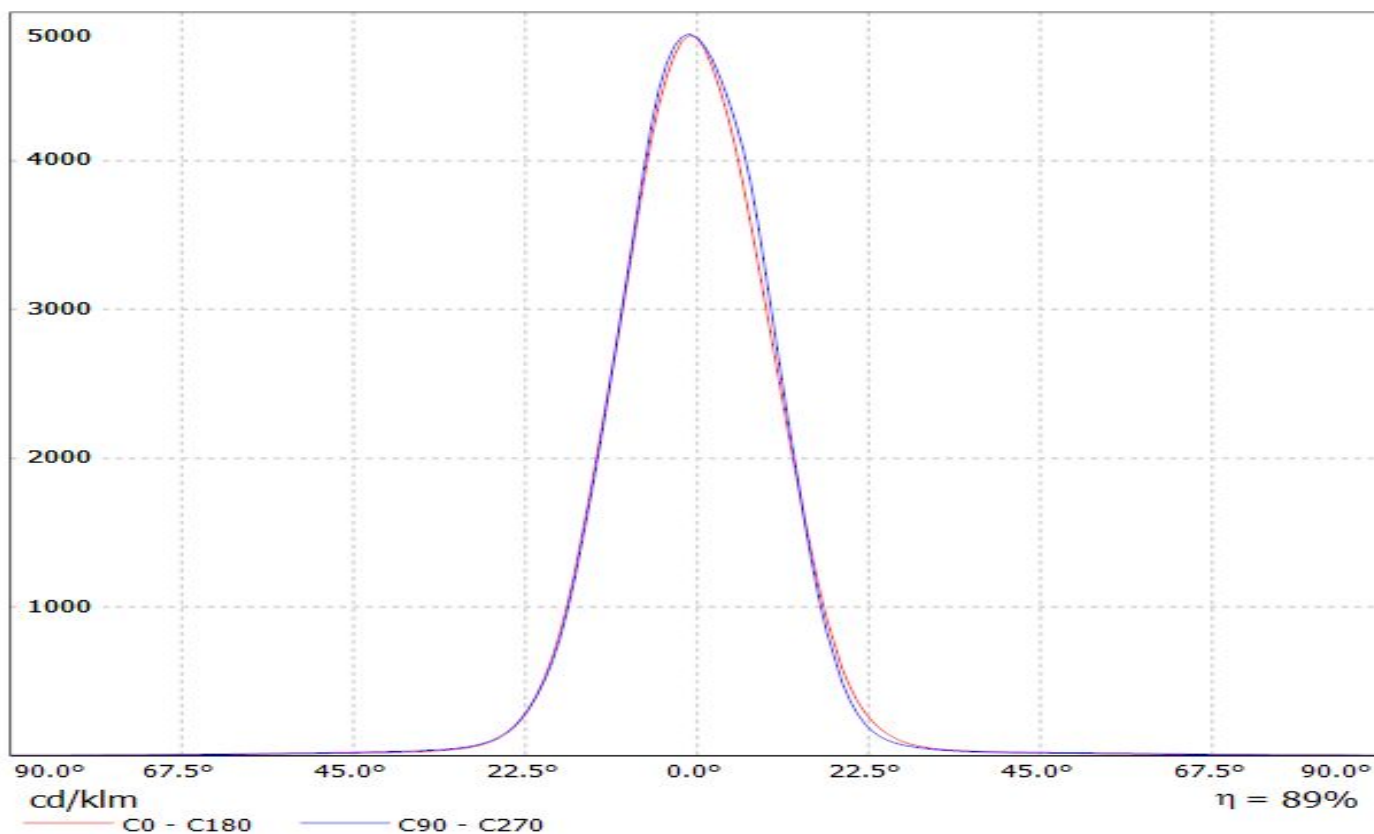
Lamps: 1 x LG3535\_2W (97.2479lm@250mA)



**LEDiL Oy CA11483\_LXP2-M\_(LG3535\_2W) Eff.89.6% / LDC (Linear)**

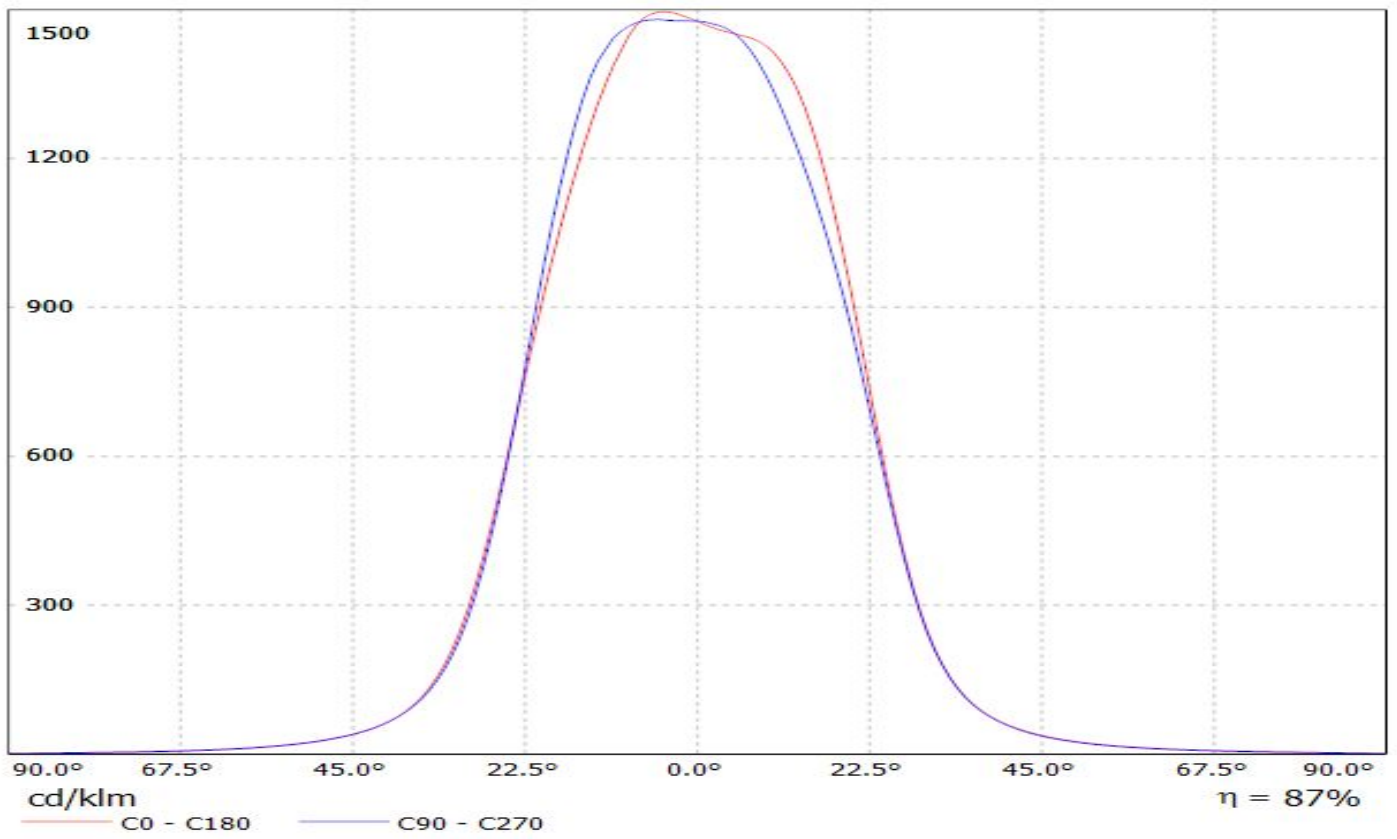
Luminaire: LEDiL Oy CA11483\_LXP2-M\_(LG3535\_2W) Eff.89.6%

Lamps: 1 x LG3535\_2W (97.3629lm@250mA)



# LEDiL Oy CA12392\_LXP2-W\_(LG3535\_2W) Eff.87.2% / LDC (Linear)

Luminaire: LEDiL Oy CA12392\_LXP2-W\_(LG3535\_2W) Eff.87.2%  
Lamps: 1 x LG3535\_2W (97.3629lm@250mA)

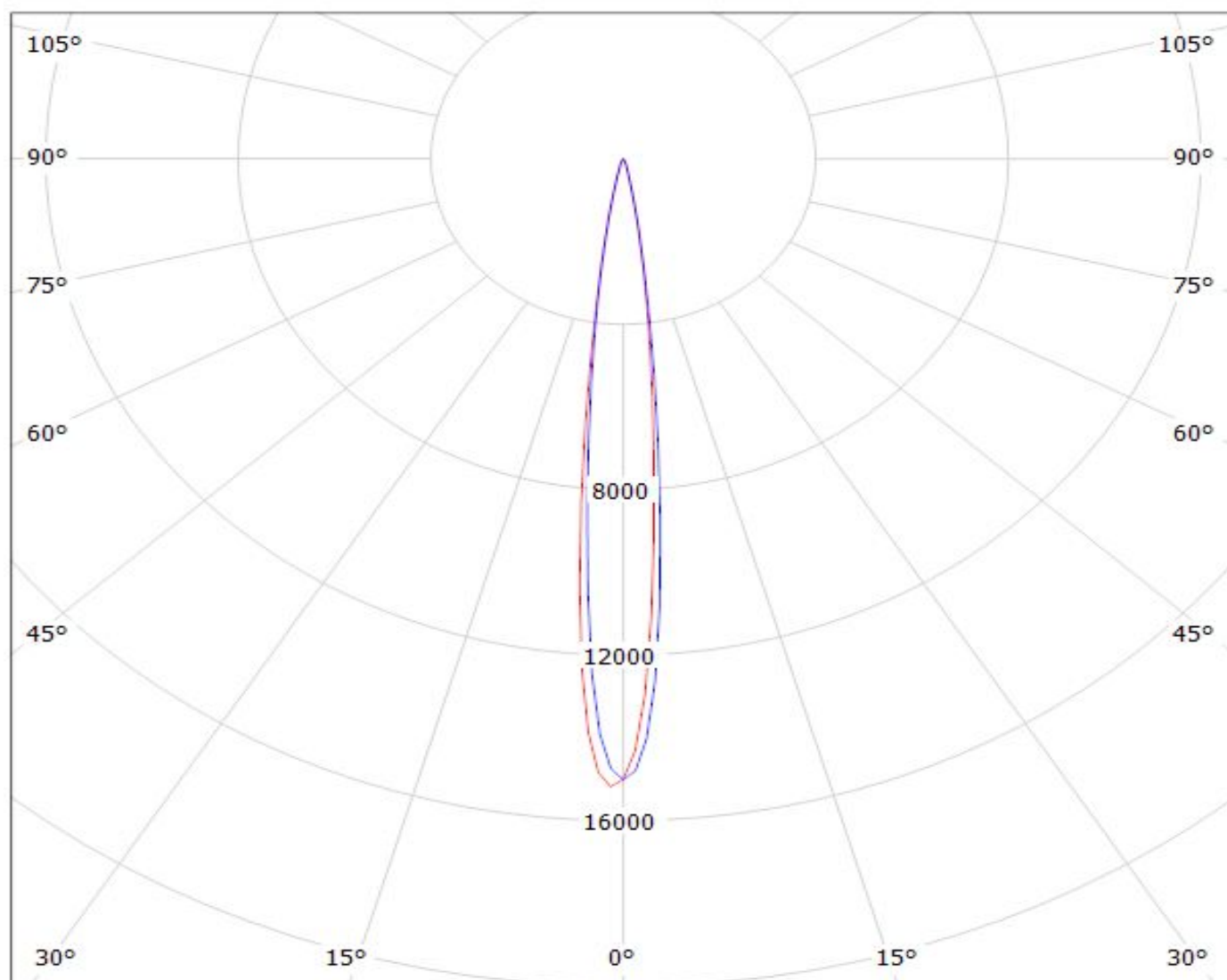




# LEDiL Oy CA11482\_LXP2-D\_(LG3535\_2W) Eff.92.4% / LDC (Polar)

Luminaire: LEDiL Oy CA11482\_LXP2-D\_(LG3535\_2W) Eff.92.4%

Lamps: 1 x LG3535\_2W (97.2479lm@250mA)



cd/klm

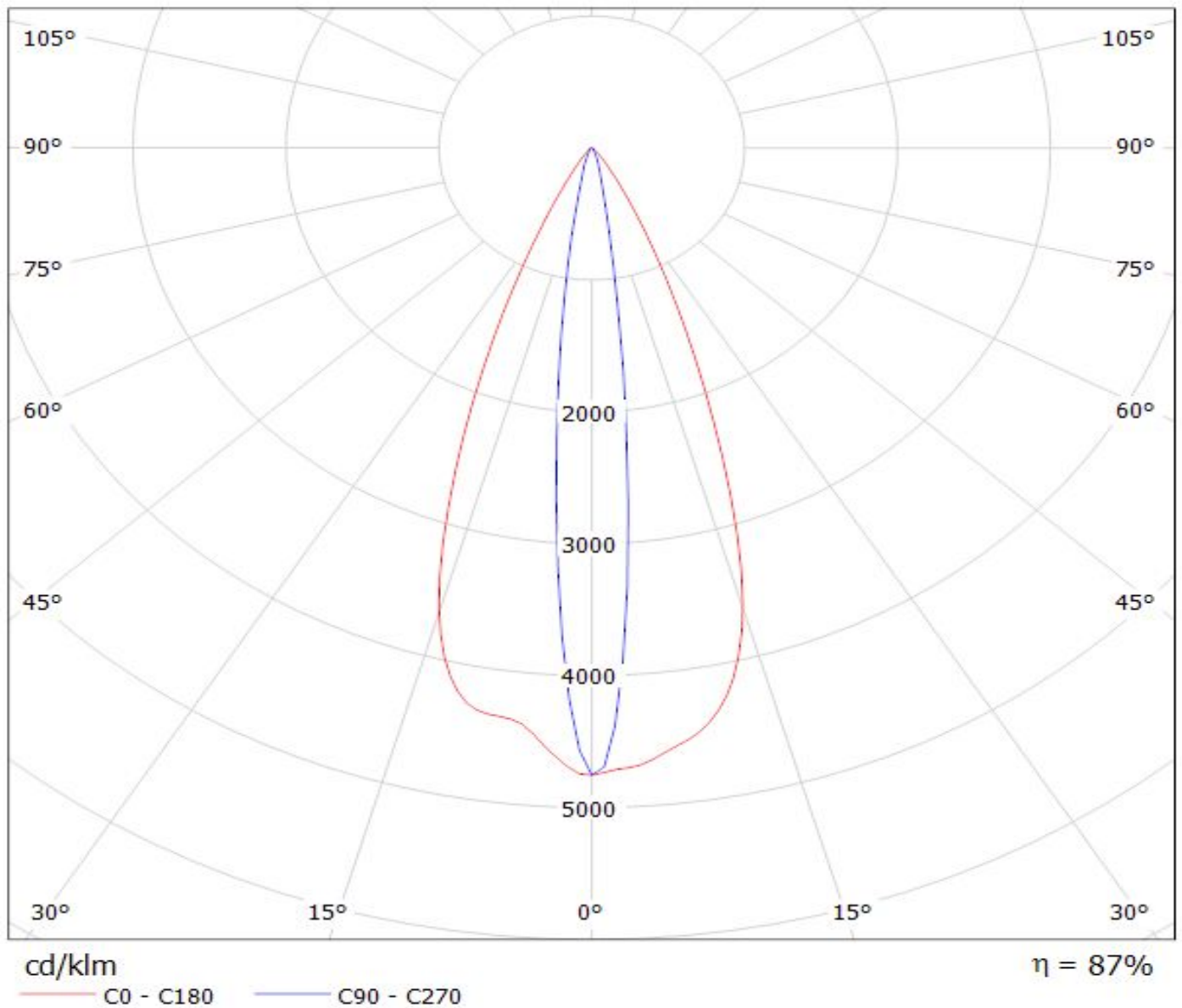
— C0 - C180

— C90 - C270

$\eta = 92\%$

# LEDiL Oy CA11484\_LXP2-O-90\_(LG3535\_2W) Eff.86.6% / LDC (Polar)

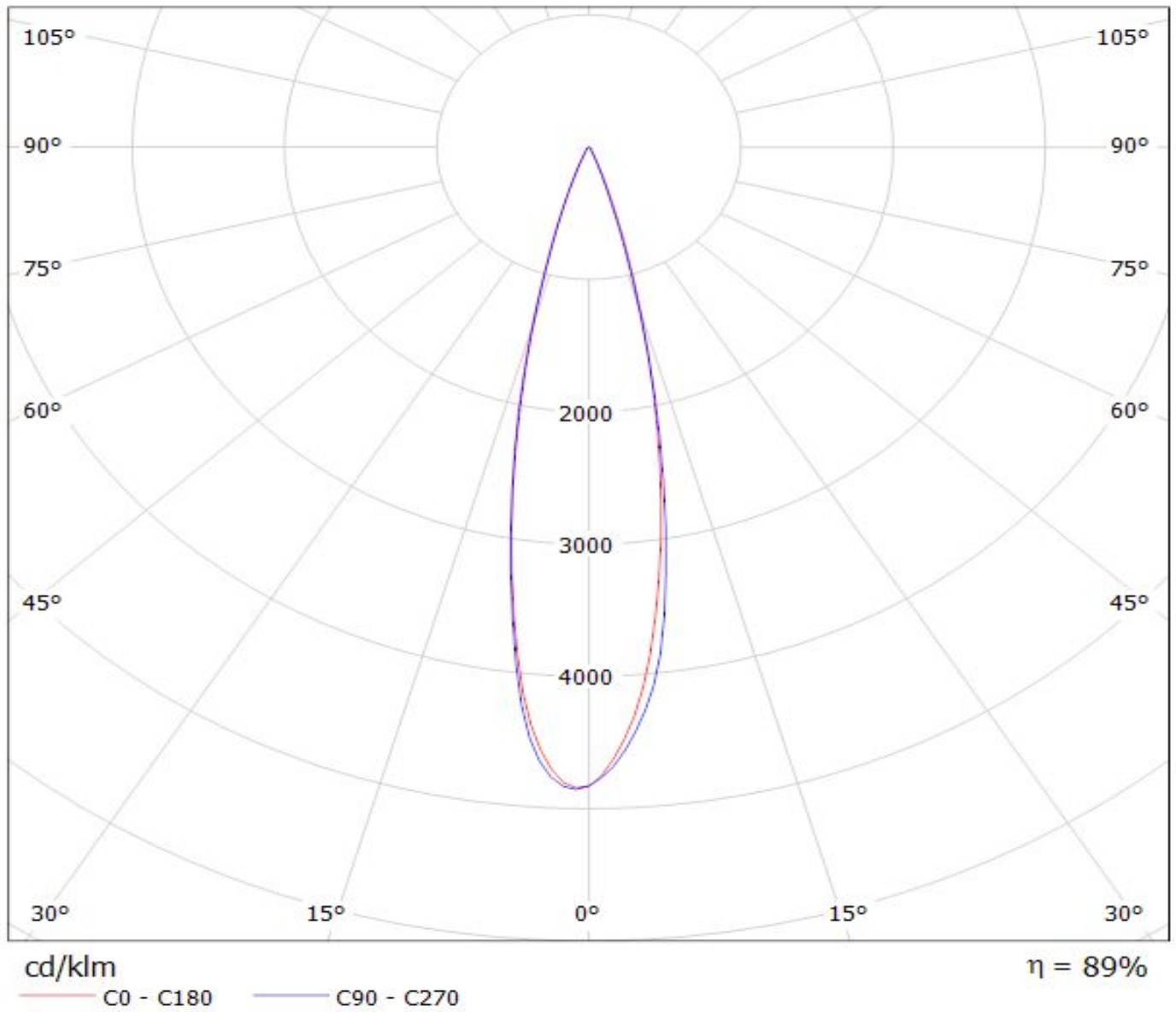
Luminaire: LEDiL Oy CA11484\_LXP2-O-90\_(LG3535\_2W) Eff.86.6%  
Lamps: 1 x LG3535\_2W (97.2479lm@250mA)



# LEDiL Oy CA11483\_LXP2-M\_(LG3535\_2W) Eff.89.6% / LDC (Polar)

Luminaire: LEDiL Oy CA11483\_LXP2-M\_(LG3535\_2W) Eff.89.6%

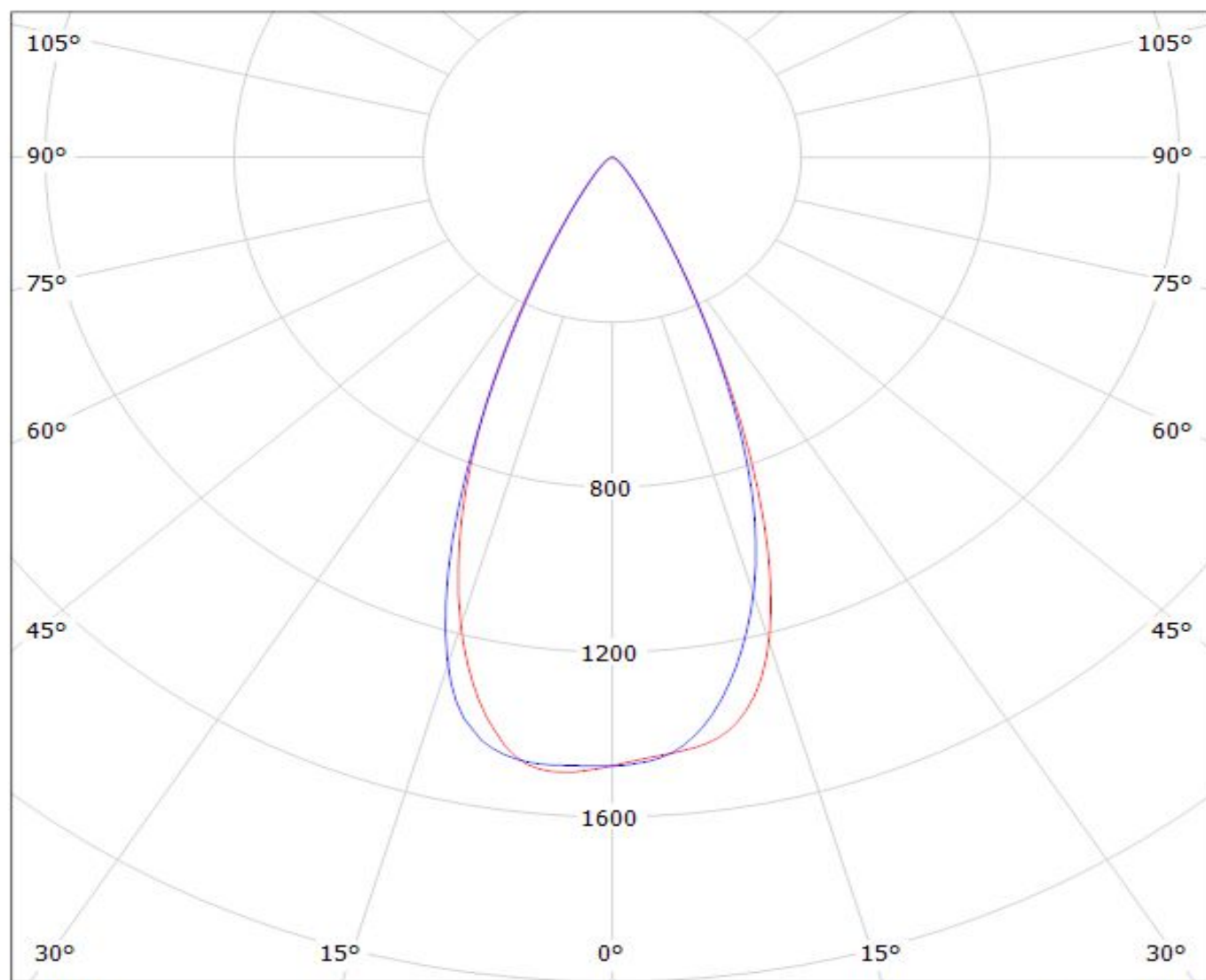
Lamps: 1 x LG3535\_2W (97.3629lm@250mA)



# LEDiL Oy CA12392\_LXP2-W\_(LG3535\_2W) Eff.87.2% / LDC (Polar)

Luminaire: LEDiL Oy CA12392\_LXP2-W\_(LG3535\_2W) Eff.87.2%

Lamps: 1 x LG3535\_2W (97.3629lm@250mA)



cd/klm

— C0 - C180

— C90 - C270

$\eta = 87\%$