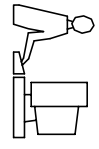
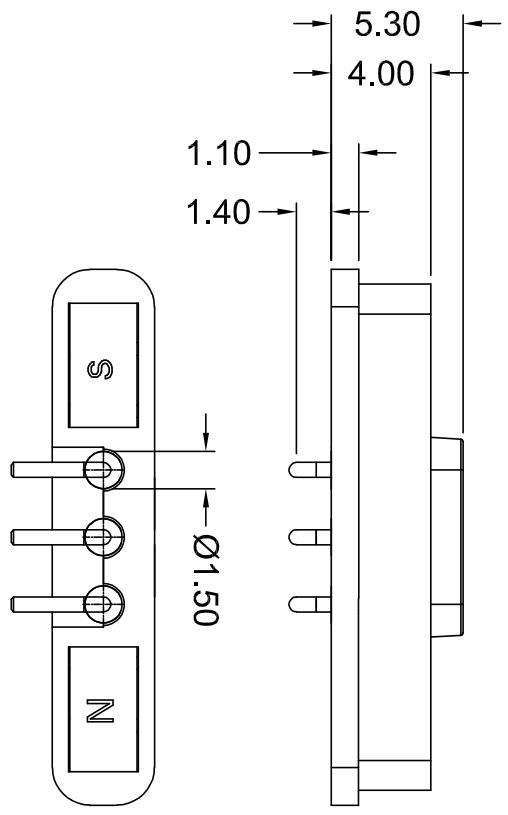
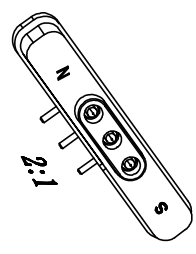
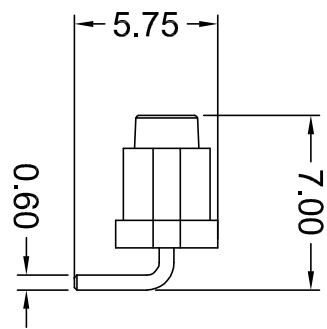
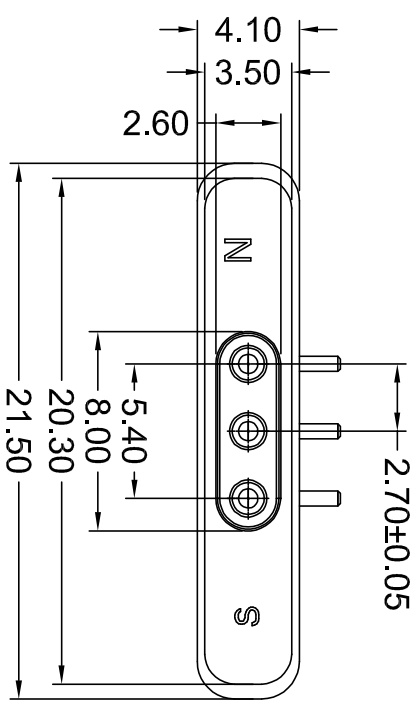


TOLERANCE UNLESS OTHERWISE SPECIFIED	.XX	±0.15
--	-----	-------

THIS IS A C.A.D. GENERATED DRAWING
DO NOT MAKE MANUAL REVISIONS TO MASTER.



ISSUE NUMBER	1
ORIGINAL	



SPECIFICATION:

CONTACT: BRASS
 PLATING: GOLD FLASH PLATING ALL OVER
 INSULATION: PA46, COLOR BLACK
 VOLTAGE RATING: 12V
 CURRENT RATING: 2A MAX.
 INSULATION RESISTANCE: 100MEGAOHMS MIN.
 DIELECTRIC WITHSTANDING VOLTAGE: 100V RMS AT 60HZ
 CONTACT RESISTANCE: 30 MOHMS MAX. BEFORE TEST AND
 60MOHMS MAX. AFTER TEST
 RECOMMENDED WORKING STROKE AND FORCE: 0.8mm: 50gF ± 20gF
 MECHANICAL LIFE: 30000 CYCLES MIN.
 OPERATING TEMPERATURE: -30°C~85°C

POGO CONNECTOR, 3 POS, MALE

ACAD REFERENCE NO.: 685-0032231-121	
DRAWN: E.S	DATE: JUN.1/2022
CHECKED: J.L.	DATE: AUG.04/2022
SCALE: (IN C.A.D. 1:1)	SHEET 1 OF 1
DRAWING NUMBER: 685-0032231-121	ISSUE
PART NUMBER: 685-0032231-121	1



THIS SERIES FULLY CONFORMS TO
THE EUROPEAN UNION DIRECTIVES
2011/65/EU FOR ROHS COMPLIANCY.



EDAC INC
TORONTO, ONTARIO
CANADA

THESE DRAWINGS AND SPECIFICATIONS
ARE THE PROPERTY OF EDAC INC. AND
SHALL NOT BE REPRODUCED OR COPIED
OR USED AS THE BASIS FOR THE
MANUFACTURE OR SALE OF APPARATUS
WITHOUT WRITTEN PERMISSION.

YOUR CONNECTION TO QUALITY & SERVICE