



Brand of NTN corporation

Technical data

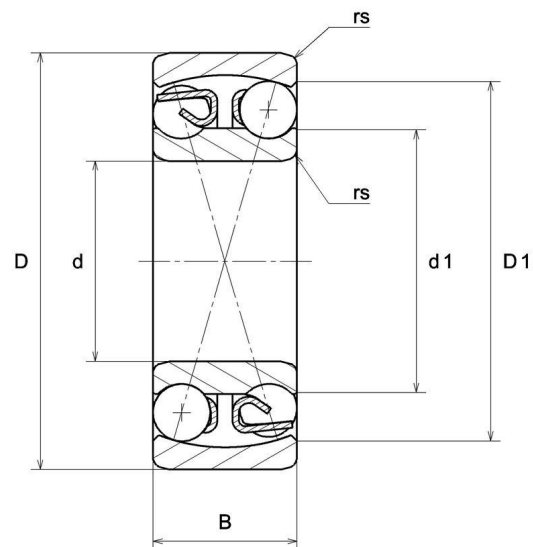
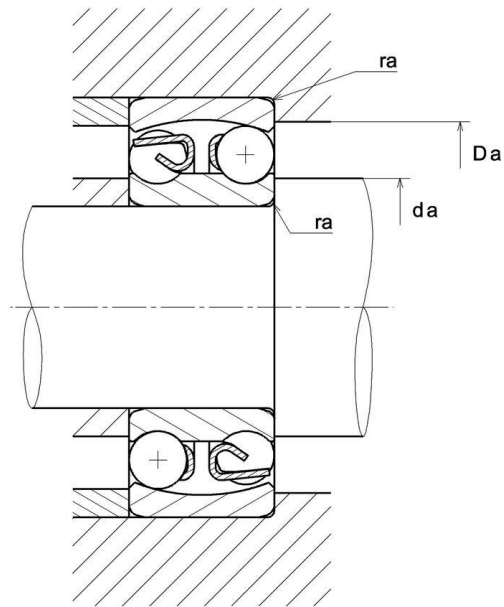
2212

Double-row self-aligning ball bearings



Self-aligning ball bearing, pressed steel cage, open

VISUAL (S)



NTN Europe

1 rue des Usines · BP 2017 · 74010 Annecy Cedex · France · Tel. +33 (0)4 50 65 30 00
S.A. au capital de 322 639 919 € · RCS ANNECY B 325 821 072 · Id. Fiscale : FR 48 325 821 072
SIRET 325 821 072 00015 · Code APE 2815 Z · Code NACE 28.15

PRODUCT DEFINITION

Brand	SNR
d - Internal diameter	60 mm
D - External diameter	110 mm
B - Bearing/Inner ring width	28 mm
d1 - External diameter inner ring	75,7 mm
D1 - Inner diameter outer ring	93,5 mm
rs - Min fillet radius	1,5 mm
Radial clearance class	CN
Precision class	P0
Mass	1,069 kg

PRODUCT PERFORMANCE

C - Dynamic load	33700000 mN
C0 - Static load	12600000 mN
Cu - Fatigue limit load	570000 mN
e - Coefficient	0.28
Y0 - Static axial load coefficient	2.36
Y1 - Lower axial load coefficient	2.25
Y2 - Upper axial load coefficient	3.48
N ref - Reference thermal speed	39600 °/s
N lim - Mechanical Limit Speed	46200 °/s
Tmin - Min operating temperature	233,15 °K
Tmax - Max operating temperature	393,15 °K



BEARING FREQUENCIES

BPFO - Over rolling frequency on outer ring (60 rpm)	7.75 Hz
BPFI - Over rolling frequency on inner (60 rpm)	10.25 Hz
BSF - Over rolling frequency on rolling element (60 rpm)	6.94 Hz
BRF - Rotational frequency - rolling element (60 rpm)	3.47 Hz
FTF - Rotational frequency - cage (60 rpm)	0.431 Hz

ABUTMENT

da min - Min shoulder diameter IR	68 mm
Da max - Max shoulder diameter OR	102 mm
ra max - Max shaft & housing fillet radius	1,5 mm

