

Directional valves → Electrically operated

**5/2-way valve, Series TC08**

► Qn = 800 l/min ► pipe connection ► compressed air connection output: G 1/8 ► Electr. connection: Plug, ISO 15217, form C ► manual override: with detent ► single solenoid, double solenoid



00120258

Version	Spool valve, zero overlap
Sealing principle	soft sealing
Mounting on manifold strip	P-strip
Working pressure min./max.	See table below
Control pressure min./max.	See table below
Ambient temperature min./max.	-10 °C / +50 °C
Medium temperature min./max.	-10 °C / +50 °C
Medium	Compressed air
Max. particle size	5 µm
Oil content of compressed air	0 mg/m³ - 5 mg/m³
Connector standard	ISO 15217:2000
Protection class according to EN 60529:2000 with electrical connector/plug	IP 65
Duty cycle	100 %
Generic emission standard in accordance with	EN 50081:1992
mounting screw tightening torque	2 Nm
<b>Materials:</b>	
Housing	Polyamide, fiber-glass reinforced
Seals	Acrylonitrile Butadiene Rubber; Polyurethane
Front plate	Polyamide, fiber-glass reinforced

**Technical Remarks**

- The pressure dew point must be at least 15 °C under ambient and medium temperature and may not exceed 3 °C.
- The oil content of air pressure must remain constant during the life cycle.
- Use only the approved oils from Bosch Rexroth, see chapter „Technical information“.

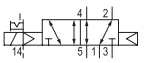

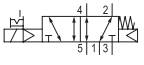

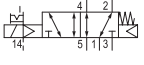

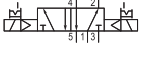

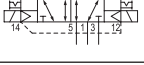

Operating voltage			Voltage tolerance			Power consumption	Switch-on power		Holding power	
DC	AC 50 Hz	AC 60 Hz	DC	AC 50 Hz	AC 60 Hz	DC	AC 50 Hz	AC 60 Hz	AC 50 Hz	AC 60 Hz
						W	VA	VA	VA	VA
-	24 V	24 V	-	-10% / +10%	-10% / +10%	-	2.2	2	1.6	1.4
24 V	-	-	-10% / +10%	-	-	2	-	-	-	-
-	110 V	110 V	-	-10% / +10%	-10% / +10%	-	2.2	2	1.6	1.4
-	230 V	230 V	-	-10% / +10%	-10% / +10%	-	2.2	2	1.6	1.4
12 V	-	-	-10% / +10%	-	-	2	-	-	-	-

	MO	Compressed air connection			Operating voltage			Flow conductance		Flow rate value	Part No.
		Input	Output	Exhaust	DC	AC 50 Hz	AC 60 Hz	b	C	Qn	
								[l/(s*bar)]		[l/min]	
		G 1/8	G 1/8	G 1/8	-	24 V	24 V	0.36	3.5	800	R422000092
					24 V	-	-				<b>0820060001</b>
					-	110 V	110 V				<b>0820060002</b>
					-	230 V	230 V				<b>0820060003</b>

## Directional valves → Electrically operated

**5/2-way valve, Series TC08**

► Qn = 800 l/min ► pipe connection ► compressed air connection output: G 1/8 ► Electr. connection: Plug, ISO 15217, form C ► manual override: with detent ► single solenoid, double solenoid

	MO	Compressed air connection			Operating voltage			Flow conductance		Flow rate value	Part No.
		Input	Output	Exhaust	DC	AC 50 Hz	AC 60 Hz	b	C	Qn	
										[l/(s*bar)]	
		G 1/8	G 1/8	G 1/8	24 V - - 110 V 230 V	- - - 110 V 230 V	- - - 110 V 230 V	0.36	3.5	800	<b>0820060051</b> 0820060052 0820060053
		G 1/8	G 1/8	G 1/8	12 V - 24 V - 110 V 230 V	- - 24 V - 110 V 230 V	- - - 110 V 230 V	0.36	3.5	800	R422000481 <b>R422000094</b> <b>0820060026</b> <b>0820060027</b> <b>0820060028</b>
		G 1/8	G 1/8	G 1/8	24 V - - 110 V 230 V	- - - 110 V 230 V	- - - 110 V 230 V	0.36	3.5	800	<b>0820060076</b> 0820060077 0820060078
		G 1/8	G 1/8	G 1/8	12 V - 24 V - 110 V 230 V	- - 24 V - 110 V 230 V	- - - 110 V 230 V	0.36	3.5	800	R422000482 <b>R422000096</b> <b>0820060501</b> <b>0820060502</b> <b>0820060503</b>
		G 1/8	G 1/8	G 1/8	24 V - - 110 V 230 V	- - - 110 V 230 V	- - - 110 V 230 V	0.36	3.5	800	<b>0820060551</b> 0820060552 0820060553
Part No.	Working pressure min./max.	Control pressure min./max.	Switch-on time	Switch-off time	Weight	Note					
	[bar]	[bar]	[ms]	[ms]	[kg]						
R422000092 <b>0820060001</b> 0820060002 <b>0820060003</b>	2.5 / 10	2.5 / 10	17	22	0.14	1)					
<b>0820060051</b> 0820060052 0820060053	-0.9 / 10	2.5 / 10	17	22	0.14	2)					
R422000481 <b>R422000094</b> <b>0820060026</b> <b>0820060027</b> <b>0820060028</b>	3 / 10	3 / 10	12	16	0.14	1)					
<b>0820060076</b> 0820060077 0820060078	-0.9 / 10	3 / 10	12	16	0.14	2)					
R422000482 <b>R422000096</b> <b>0820060501</b> <b>0820060502</b> <b>0820060503</b>	2 / 10	2 / 10	9	9	0.172	1)					

MO = Manual override

1) Pilot: internal

2) Pilot: external

Nominal flow Qn at 6 bar and Δp = 1 bar

Directional valves → Electrically operated

**5/2-way valve, Series TC08**

► Qn = 800 l/min ► pipe connection ► compressed air connection output: G 1/8 ► Electr. connection: Plug, ISO 15217, form C ► manual override: with detent ► single solenoid, double solenoid

Part No.	Working pressure min./max.	Control pressure min./max.	Switch-on time	Switch-off time	Weight	Note
	[bar]	[bar]	[ms]	[ms]	[kg]	
<b>0820060551</b>	-0.9 / 10	2 / 10	9	9	0.172	2)
0820060552						
0820060553						

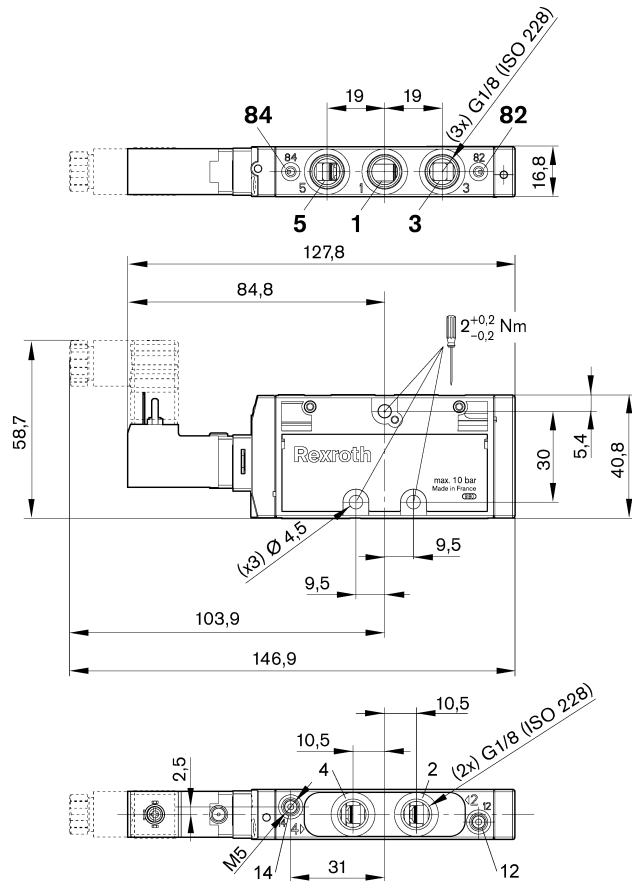
MO = Manual override

1) Pilot: internal

2) Pilot: external

Nominal flow Qn at 6 bar and Δp = 1 bar

**Dimensions, single solenoid**



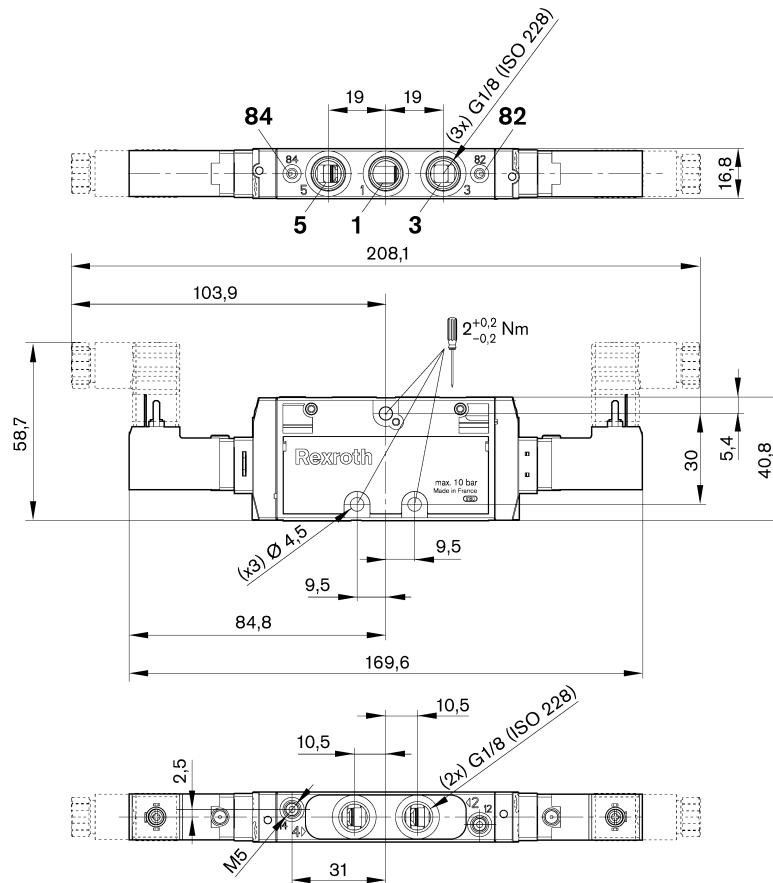
00111317\_a

## Directional valves → Electrically operated

### 5/2-way valve, Series TC08

►  $Q_n = 800 \text{ l/min}$  ► pipe connection ► compressed air connection output: G 1/8 ► Electr. connection: Plug, ISO 15217, form C ► manual override: with detent ► single solenoid, double solenoid

#### Dimensions, double solenoid



00111318\_a