



## Main

Range of product	Modicon Momentum automation platform
Product or component type	Discrete inputs base DC
Group of channels	2 groups of 16 inputs
Discrete input number	32 IEC 1131-2 Type 1
Discrete input voltage	24 V DC
Protective treatment	TC

## Complementary

Discrete input logic	Positive
Input voltage limits	24 V
Voltage range	- 3...30 V
Voltage state 0 guaranteed	-3...5 V
Voltage state 1 guaranteed	11...30 V
Current state 0 guaranteed	<= 1.2 mA
Current state 1 guaranteed	>= 2.5 mA
Input resistance	4 kOhm
Response time	3.3 ms from state 1 to state 0 2.2 ms from state 0 to state 1
Isolation between channels and bus	500 V AC
Power dissipation	5.5 W typical 8.5 W maximum
Terminals description PLC n°1	(1)IN_DIS#1 (10)IN_DIS#10 (11)IN_DIS#11 (12)IN_DIS#12 (13)IN_DIS#13 (14)IN_DIS#14 (15)IN_DIS#15 (16)IN_DIS#16 (2)IN_DIS#2 (3)IN_DIS#3 (4)IN_DIS#4 (5)IN_DIS#5 (6)IN_DIS#6 (7)IN_DIS#7 (8)IN_DIS#8 (9)IN_DIS#9 (L+)PW_POS (M-)PW_NEG TB

Terminals description PLC n°2	(1)IN_DIS#17 (10)IN_DIS#26 (11)IN_DIS#27 (12)IN_DIS#28 (13)IN_DIS#29 (14)IN_DIS#30 (15)IN_DIS#31 (16)IN_DIS#32 (1L+)PW_POS (2)IN_DIS#18 (2L+)PW_POS (3)IN_DIS#19 (4)IN_DIS#20 (5)IN_DIS#21 (6)IN_DIS#22 (7)IN_DIS#23 (8)IN_DIS#24 (9)IN_DIS#25 TB_1
Marking	CE
Local signalling	32 LEDs channel status
Current consumption	<= 250 mA 24 V DC
Depth	47.5 mm
Height	141.5 mm
Width	125 mm
Product weight	0.2 kg

## Environment

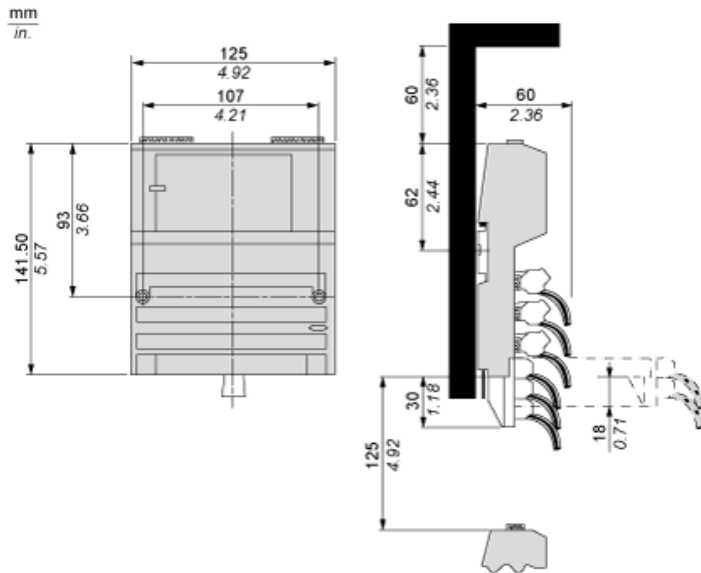
Product certifications	CSA UL
Resistance to electrostatic discharge	8 kV on air IEC 801-2 4 kV contact IEC 801-2
Resistance to electromagnetic fields	10 V/m 80...1000 MHz IEC 801-3
Ambient air temperature for operation	0...60 °C
Ambient air temperature for storage	-40...85 °C
Relative humidity	95 % without condensation
Operating altitude	<= 5000 m

## Offer Sustainability

Sustainable offer status	Not Green Premium product
RoHS (date code: YYWW)	Will be Compliant on 4Q2013

Standard Adapter on a Typical Base

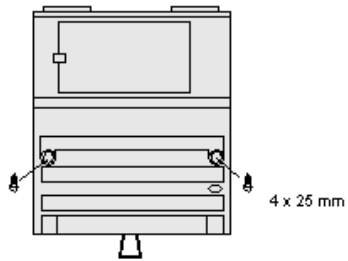
Dimensions



---

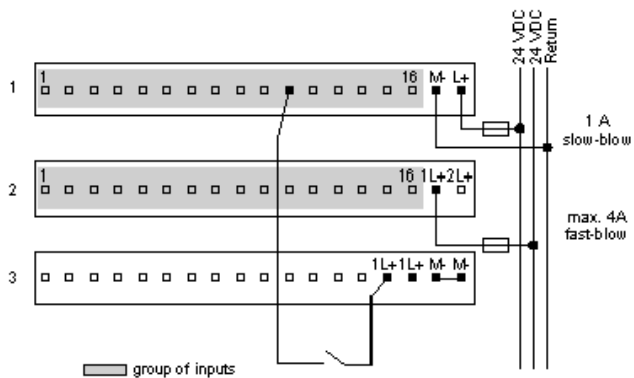
Mounting on a Wall

---

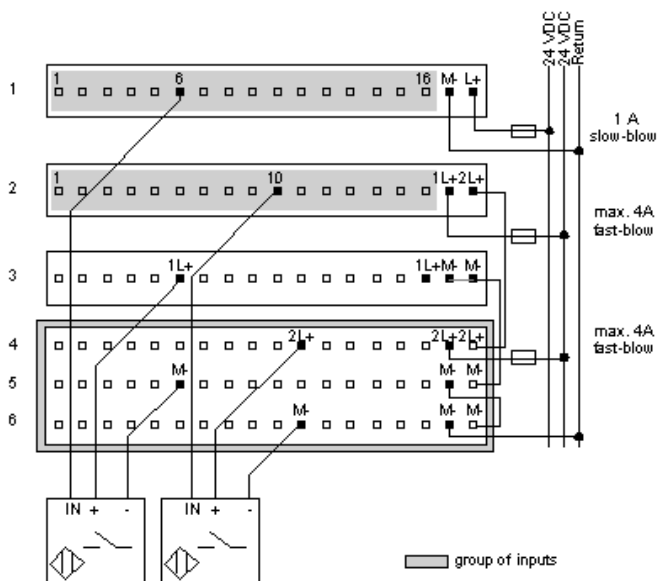


External Wiring Diagrams

2-Wire Device



3-Wire Devices



Internal Pin Connections

Rows 1 through 3 show the internal connections between terminals on the I/O base. Rows 4 through 6 show the internal connections on the optional busbar.

