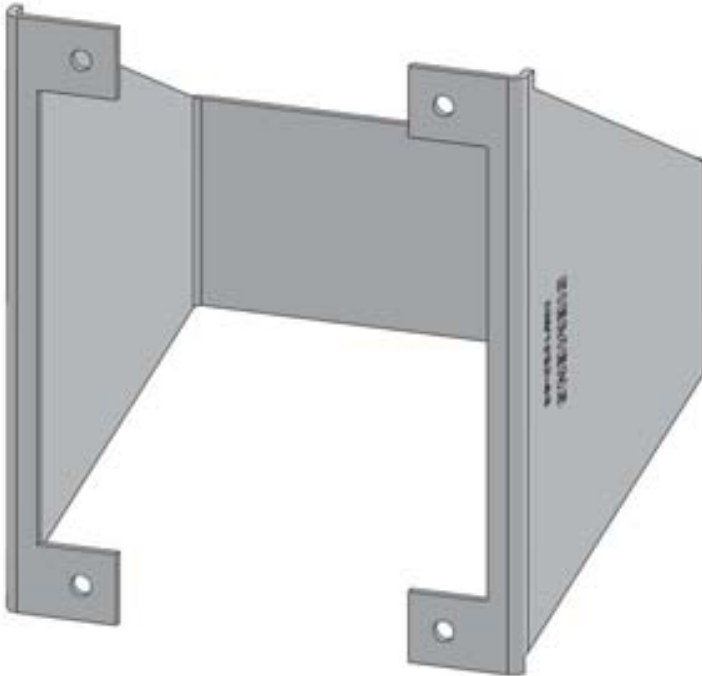


Holder for front plate Size S0



General technical data

Product designation		Holder for front plate
Material of the enclosure		metal
Product component transparent cover		No

Installation/ mounting/ dimensions

Width	mm	70
Height	mm	92
Depth	mm	85

Certificates/ approvals

Declaration of Conformity	Shipping Approval	other
---------------------------	-------------------	-------



EG-Konf.

[Miscellaneous](#)



ABS



RMRS

[Confirmation](#)

Further information

Information- and Downloadcenter (Catalogs, Brochures,...)
<https://www.siemens.com/ic10>

Industry Mall (Online ordering system)

<https://mall.industry.siemens.com/mall/en/en/Catalog/product?mlfb=3RV1923-4G>

Cax online generator

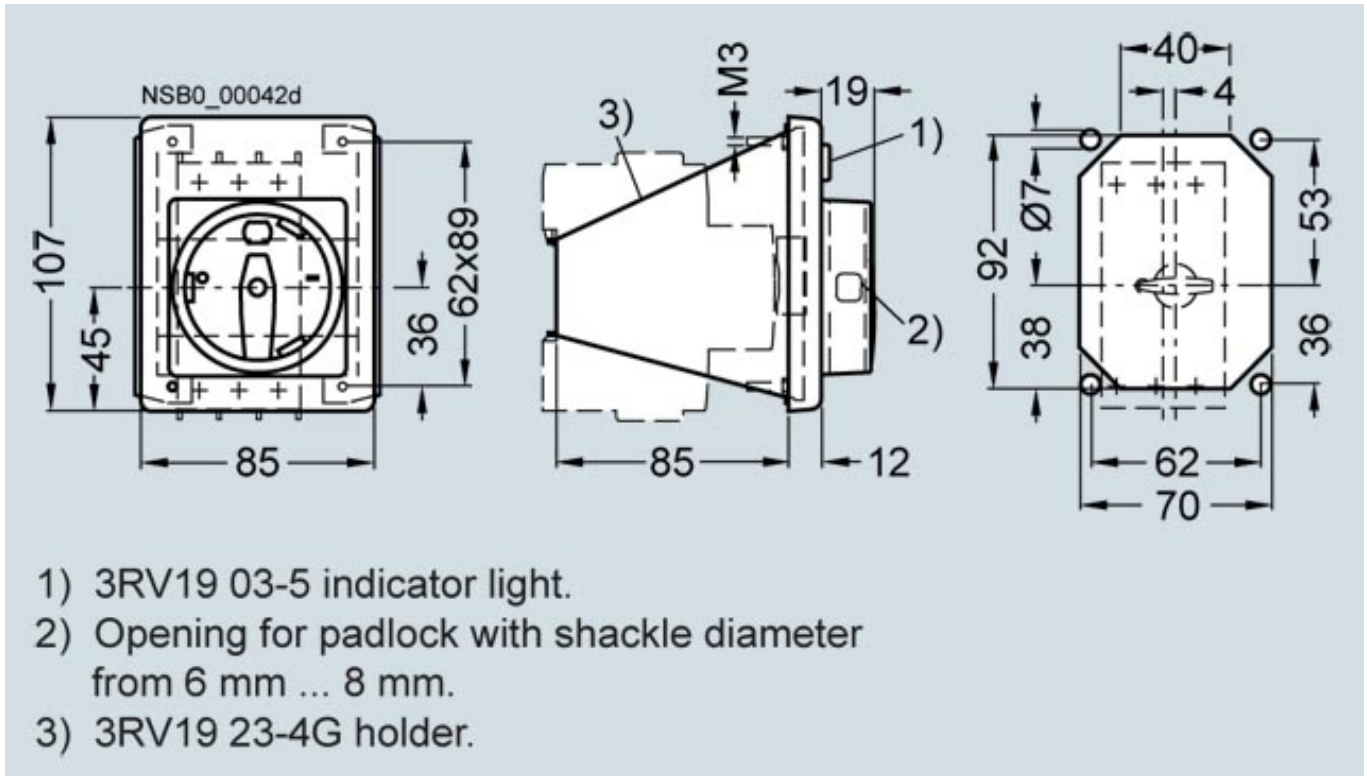
<http://support.automation.siemens.com/WW/CAXorder/default.aspx?lang=en&mlfb=3RV1923-4G>

Service&Support (Manuals, Certificates, Characteristics, FAQs,...)

<https://support.industry.siemens.com/cs/ww/en/ps/3RV1923-4G>

Image database (product images, 2D dimension drawings, 3D models, device circuit diagrams, EPLAN macros, ...)

http://www.automation.siemens.com/bilddb/cax_de.aspx?mlfb=3RV1923-4G&lang=en



last modified:

04/09/2020