



## Main

|                               |   |
|-------------------------------|---|
| Range of product              | OsiSense XC   |
| Series name                   | Special format  |
| Product or component type     | Limit switch  |
| Product specific application  | For hoisting and mechanical handling applications                           |
| Device short name             | XCKMR   |
| Body type                     | Fixed   |
| Head type                     | Reversed rotary head  |
| Material                      | Metal   |
| Body material                 | Zamak   |
| Head material                 | Zamak   |
| Fixing mode                   | By the body   |
| Movement of operating head    | Rotary  |
| Type of operator              | Stay put crossed rods lever metal square rod 6 mm, L = 200 mm               |
| Type of approach              | Lateral approach, 2 directions  |
| Cable entry                   | 3 entries tapped for M20 x 1.5 cable gland, cable outer diameter: 7...13 mm |
| Number of poles               | 4   |
| Contacts type and composition | 2 x (2 NC)  |
| Contact operation             | Slow-break, staggered   |

## Complementary

|   |   |
|---|---|
| Switch actuation                              | By any moving part  |
| Electrical connection                         | Screw-clamp terminals, clamping capacity: 1 x 0.5...2 x 2.5 mm <sup>2</sup> |
| Contacts insulation form                      | Zb  |
| Number of steps                               | 5 electrical positions  |
| Contact block per direction [control circuit] | 1 per direction   |
| Positive opening                              | With  |

Disclaimer: This documentation is not intended as a substitute for and is not to be used for determining suitability or reliability of these products for specific user applications

|  |  |
|--|--|
| Positive opening minimum torque        | 0.75 N.m   |
| Minimum torque for tripping            | 0.5 N.m  |
| Minimum actuation speed                | 6 m/min  |
| Maximum actuation speed                | 1.5 m/s actuation point on the rod between 65 and 95 mm  |
| Maximum displacement angle             | -180 °<br>180 °  |
| Contact code designation               | A300, AC-15 (Ue = 240 V), Ie = 3 A, Ithe = 10 A conforming to EN/IEC 60947-5-1 appendix A<br>Q150, DC-13 (Ue = 125 V), Ie = 0.55 A conforming to EN/IEC 60947-5-1 appendix A |
| [Ui] rated insulation voltage          | 300 V conforming to UL 508<br>300 V conforming to CSA C22.2 No 14<br>500 V (pollution degree 3) conforming to EN/IEC 60947-1   |
| Maximum resistance across terminals    | 25 MOhm conforming to IEC 60255-7 category 3   |
| [Uimp] rated impulse withstand voltage | 6 kV IEC 60664<br>6 kV EN/IEC 60947-1  |
| Short-circuit protection               | 10 A cartridge fuse, type gG   |
| Mechanical durability                  | 2000000 cycles   |
| Width                                  | 200 mm   |
| Height                                 | 118 mm   |
| Depth                                  | 59 mm  |
| Net weight                             | 0.55 kg  |
| Terminals description ISO n°1          | (21-22)NC<br>(11-12)NC   |

## Environment

|                                       |   |
|---------------------------------------|---|
| Shock resistance                      | 50 gn conforming to EN/IEC 60068-2-27                 |
| Vibration resistance                  | 25 gn (f= 10...500 Hz) conforming to EN/IEC 60068-2-6 |
| IP degree of protection               | IP66 conforming to EN/IEC 60529                       |
| IK degree of protection               | IK07 conforming to EN 50102                           |
| Electrical shock protection class     | Class I conforming to IEC 60536                       |
| Ambient air temperature for operation | -25...70 °C   |
| Ambient air temperature for storage   | -40...85 °C   |
| Protective treatment                  | TC  |
| Product certifications                | CCC<br>UL<br>CE<br>CSA                                |
| Standards                             | UL 508<br>EN/IEC 60947-5-1<br>CSA C22.2 No 14         |

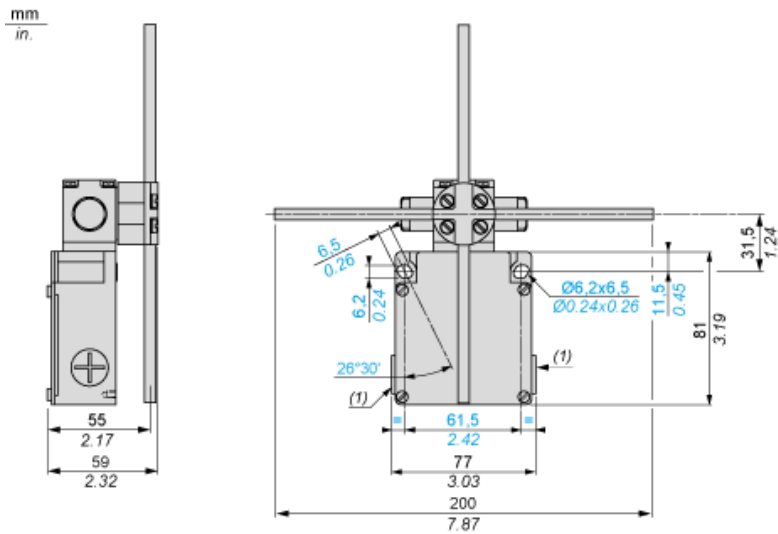
## Offer Sustainability

|                            |   |
|----------------------------|---|
| Sustainable offer status   | Green Premium product   |
| REACH Regulation           | <a href="#">REACH Declaration</a>   |
| EU RoHS Directive          | Pro-active compliance (Product out of EU RoHS legal scope)<br><a href="#">EU RoHS Declaration</a> |
| Mercury free               | Yes   |
| RoHS exemption information | <a href="#">Yes</a>   |
| Environmental Disclosure   | <a href="#">Product Environmental Profile</a>   |
| Circularity Profile        | No need of specific recycling operations  |

## Contractual warranty

|          |           |
|----------|-----------|
| Warranty | 18 months |
|----------|-----------|

Dimensions



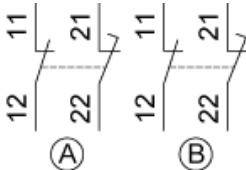
- (1) 3 tapped entries ISO M20x1.5  
 Ø : 2 elongated holes 6.2 x 6.5, inclined at 26°30' to the vertical axis, for M5 screws.

---

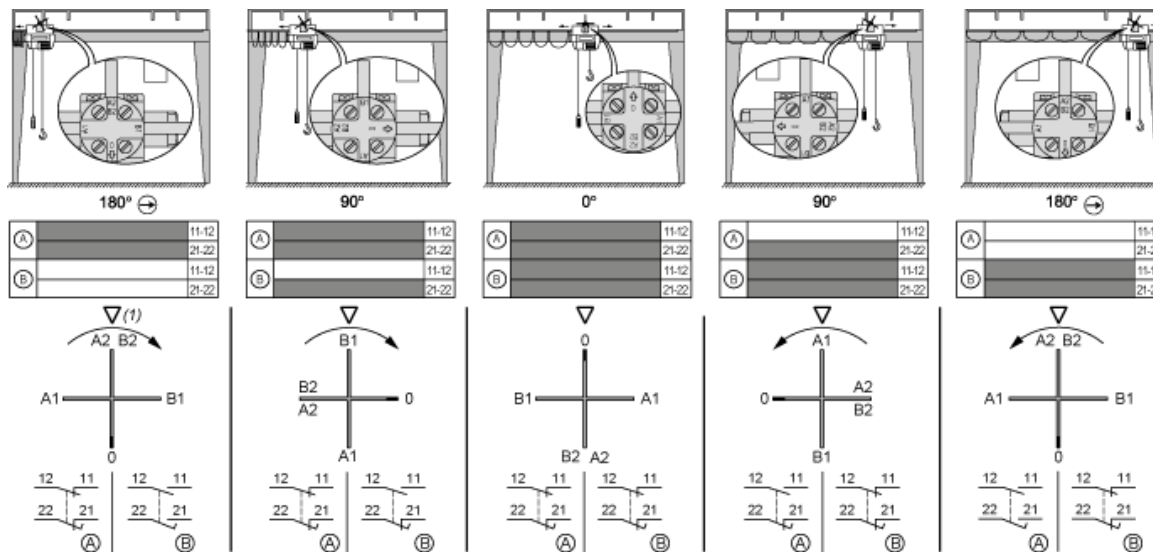
Wiring Diagram

---

2 x 2-pole NC+NC Break Before Make, Slow Break (Non Interchangeable Contacts)



Functionnal Diagram



(1) Triangle symbol marked on top of head.