

**Bourdon tube pressure gauges, liquid filled,**

**Modelcode type: 213.53.0XX**

**Item number: 82159695**

**Description**

|                            |               |
|----------------------------|---------------|
| Design according           | EN 837-1      |
| Accuracy class             | class 1.6     |
| Scale range                | 0...40 MPa    |
| 2nd Scale or Special Scale | 2nd scale psi |

**Constructional design**

|                    |                                  |
|--------------------|----------------------------------|
| Process connection | G 1/4 B                          |
| Connector location | back mount                       |
| Pressure element   | Copper alloy                     |
| Movement           | Copper alloy                     |
| Case               | Crimp ring case (version 53)     |
| Nominal size       | 063 mm                           |
| Case filling fluid | glycerine                        |
| Pointer            | plastic, black (double division) |
| Window             | plastic, clear                   |
| Dial               | plastic, white, with stop-pin    |

**Options**

|                         |   |
|-------------------------|---|
| Mounting flange/bracket | narrow panel ring, SS, rolled on, with mounting bracket |
|-------------------------|---|

**Operating conditions**

|                     |   |
|---------------------|---|
| Pressure limitation | Steady: 3/4 x full scale value<br>Fluctuating: 2/3 x full scale value<br>Short time: Full scale value |
|---------------------|---|

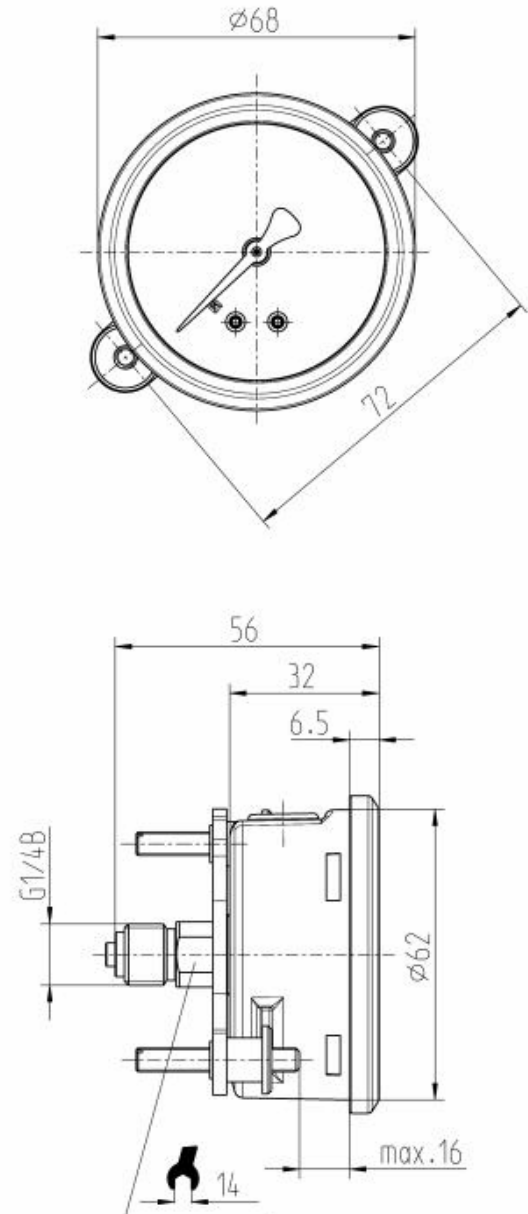
|                                 |                |
|---------------------------------|----------------|
| Permissible ambient temperature | -20 ... +60 °C |
|---------------------------------|----------------|

|                                |               |
|--------------------------------|---------------|
| Permissible medium temperature | +60°C maximum |
|--------------------------------|---------------|

|   |                                |
|---|--------------------------------|
| Temperature effect when the temperature deviates from the reference temperature (+20°C) | Max. +/-0.4 %/10 K of the span |
|---|--------------------------------|

|                    |       |
|--------------------|-------|
| Ingress protection | IP 65 |
|--------------------|-------|

**Dial description:**



**Bourdon tube pressure gauges, liquid filled,**

**Modelcode type: 213.53.0XX**

**Item number: 82159695**

|                             |                           |
|-----------------------------|---------------------------|
| Pressure Gauge Standard     | China                     |
| color for 1.scale (outside) | black                     |
| color for 2.scale (inside)  | red RAL 3020              |
| dial background             | White                     |
| Manufacturer logo           | *WIKA*                    |
| stop pin on dial            | at zero                   |
| norm-mark on dial           | *EN 837-1*                |
| safetymark on dial          | *S*                       |
| accuracy class on dial      | *Cl.1.6*                  |
| CE mark on dial             | *UKCA* *CE* model * ... * |

**Labelcode**

|                       |               |
|-----------------------|---------------|
| Label                 | WIKA standard |
| language of the label | German        |