

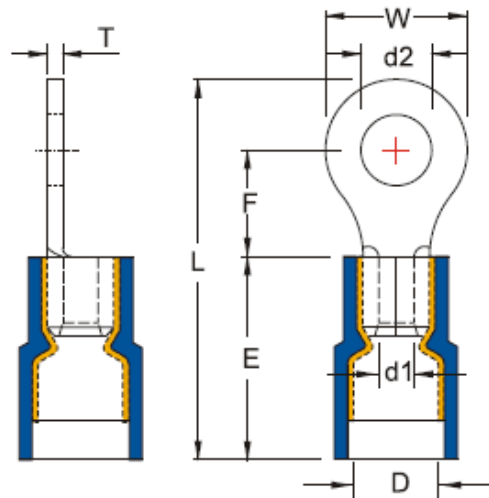
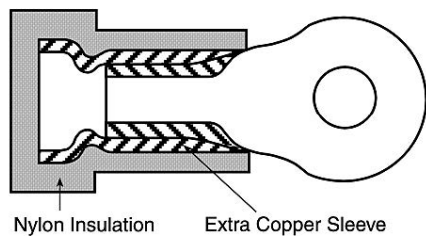


Datasheet

ENGLISH

RS PRO Red Insulated Crimp Ring Terminal, 0.5mm² to 1.5mm², 22 AWG to 16 AWG, 4.3mm Stud Size

RS Stock number [267-3638](#)



Technical Specification

Maximum Electrical Current: 22 AWG: 9A, 16 AWG: 18A

Maximum Electrical Rating: 105°C 600V maximum

Insulation Material: Nylon

Insulation Colour: Red

Terminal Material: Copper

Double Crimp: With copper sleeve on barrel

Dimensions

Wire Size (mm ² /AWG)	Stud Size		Dimensions (inch/mm)						
	d2		W	F	L	E	D	d1	T
	Size	(inch/mm)							
0.5-1.5 mm ² /22-16 AWG	#8	.169/4.3	.260/6.6	.248/6.3	.803/20.4	.433/11.0	.177/4.5	.067/1.7	.030/0.75