

Unimet

Unimet Desk Cases

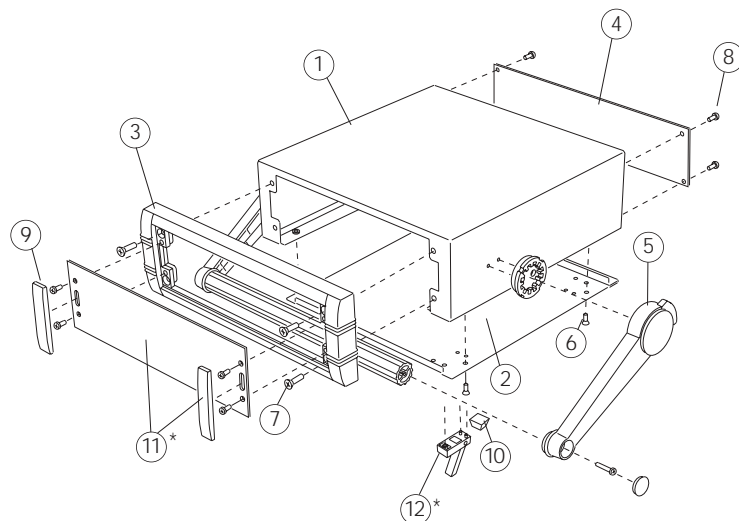
Modern instrument cases for desktop or portable applications. With or without a tilt/swivel carry handle bar. Folded aluminium case body with die-cast front bezel. Base and rear panels are removable. Front panel kit ordered separately.

Unimet Tischgehäuse

Modernes Instrumentengehäuse für Tischanwendungen oder mobilen Einsatz. Mit oder ohne Aufstell-/ Tragebügel. Oberteil gekantet aus Aluminium mit Druckguß-Frontrahmen. Boden- und Rückplatten sind abnehmbar. Frontplatten-Set als Zubehör.

Boîtier de table Unimet

Boîtier moderne pour instruments utilisable pour les applications de table ou portables. Avec ou sans poignée étrier/poignée de transport. Partie supérieure au bord replié, en aluminium avec cadre frontal moulé sous pression. Les plaques inférieure et arrière sont amovibles. Kit de plaque avant en accessoire.



Standard colours
Standardfarben
Coloris standard

Supply

- ① Top cover
- ② Base panel
- ③ Front bezel
- ④ Rear panel
- ⑤ Carry handle bar
- ⑥ M3 x 8 mm (x4)
- ⑦ M4 x 16 mm (x4)
- ⑧ M3 x 6 mm (x4)
- ⑨ M3 x 8 mm (x4)
- ⑩ Rubber foot (x4)
- ⑪ * Front panel kit
- ⑫ * ABS feet

* Accessories

Lieferumfang

- Oberteil
- Bodenplatte
- Frontrahmen
- Rückplatte
- Aufstell-/ Tragebügel

- M3 x 8 mm (x4)
- M4 x 16 mm (x4)
- M3 x 6 mm (x4)
- M3 x 8 mm (x4)
- Gummifuß (x4)
- * Frontplatten-Set
- * Gehäusefüße (ABS)
- * Zubehör

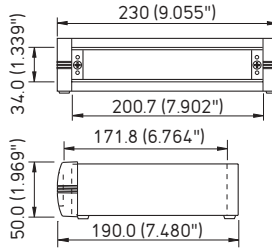
Fourniture

- Partie supérieure
- Plaque inférieure
- Cadre frontal
- Plaque arrière
- Poignée étrier/poignée de transport
- M3 x 8 mm (x4)
- M4 x 16 mm (x4)
- M3 x 6 mm (x4)
- M3 x 8 mm (x4)
- Pied de boîtier (x4)
- * Kit de plaque avant
- * Pieds de boîtier (ABS)
- * Accessoires

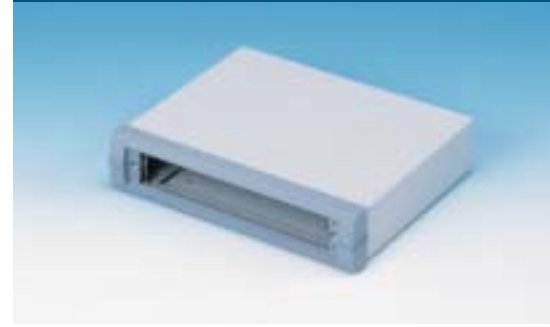
Unimet 1

230mm 190mm 50mm
 9.055" 7.480" 1.969"

Part No.
 Bestell-Nr./Ref.
M 56 23 005



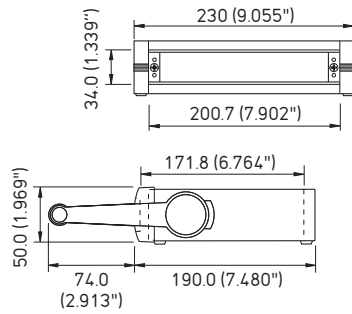
Unimet 1



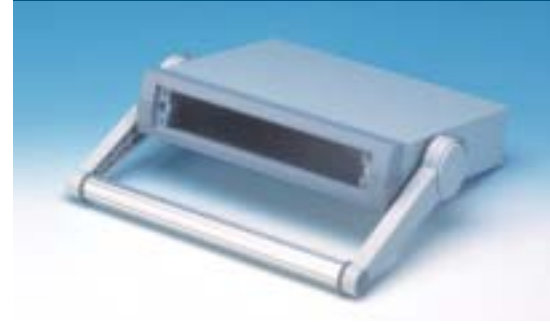
Unimet 1H

230mm 190mm 50mm
 9.055" 7.480" 1.969"

Part No.
 Bestell-Nr./Ref.
M 56 23 025



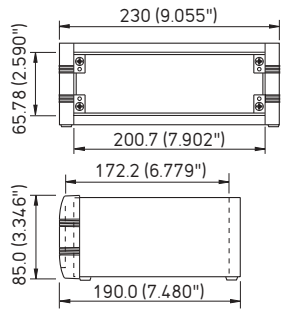
Unimet 1H



Unimet 2

230mm 190mm 85mm
 9.055" 7.480" 3.346"

Part No.
 Bestell-Nr./Ref.
M 56 23 105



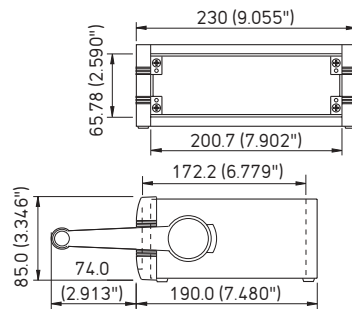
Unimet 2



Unimet 2H

230mm 190mm 85mm
 9.055" 7.480" 3.346"

Part No.
 Bestell-Nr./Ref.
M 56 23 125



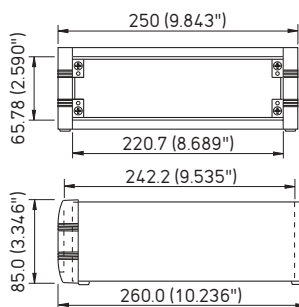
Unimet 2H



Unimet 3

250mm 260mm 85mm
 9.843" 10.236" 3.346"

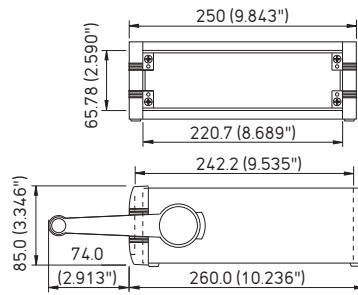
Part No.
 Bestell-Nr./Ref.
M 56 25 105



Unimet 3



Unimet 3H



Unimet 3H

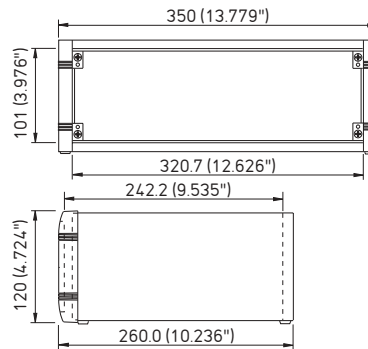
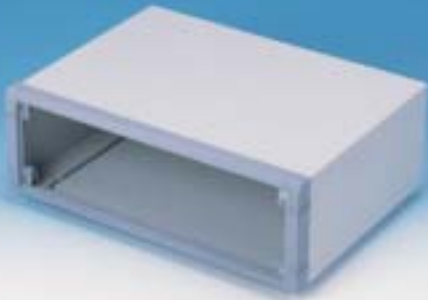
250mm 260mm 85mm
9.843" 10.236" 3.346"

Part No.

Bestell-Nr./Réf.

M 56 25 125

Unimet 4



Unimet 4

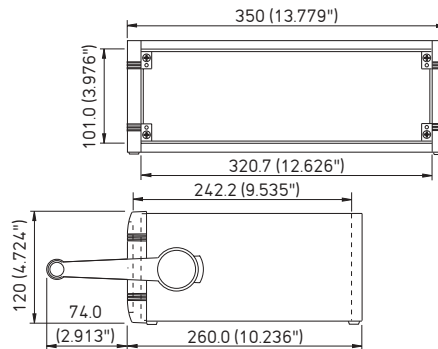
350mm 260mm 120mm
13.779" 10.236" 4.724"

Part No.

Bestell-Nr./Réf.

M 56 35 205

Unimet 4H



Unimet 4H

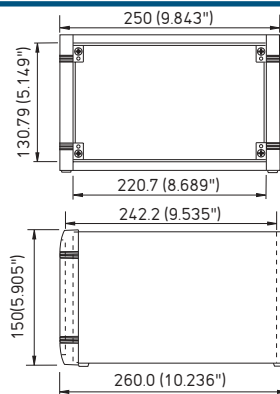
350mm 260mm 120mm
13.779" 10.236" 4.724"

Part No.

Bestell-Nr./Réf.

M 56 35 225

Unimet 5



Unimet 5

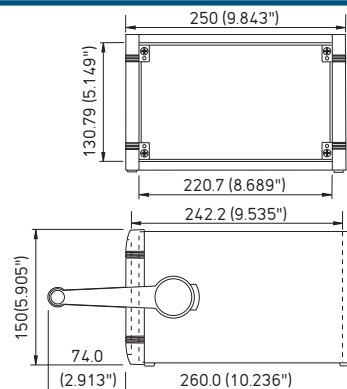
250mm 260mm 150mm
9.843" 10.236" 5.905"

Part No.

Bestell-Nr./Réf.

M 56 25 305

Unimet 5H



Unimet 5H

250mm 260mm 150mm
9.843" 10.236" 5.905"

Part No.

Bestell-Nr./Réf.

M 56 25 325

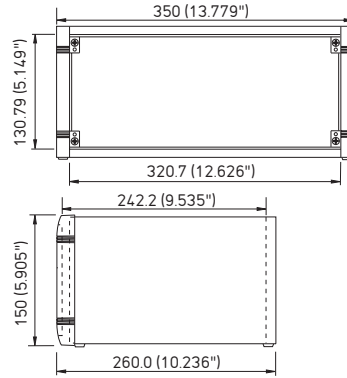
Unimet 6

350mm 260mm 150mm
13.779" 10.236" 5.905"

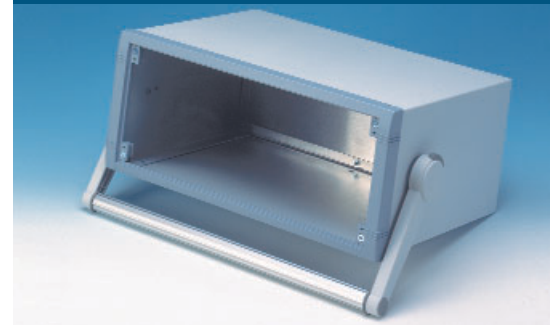
Part No.

Bestell-Nr./Réf.

M 56 35 305



Unimet 6



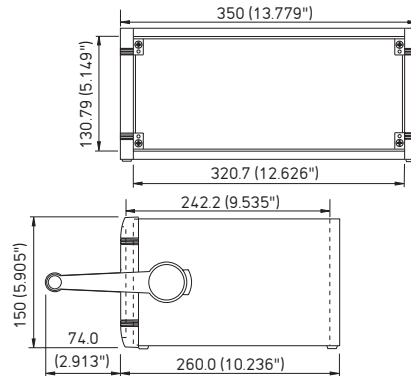
Unimet 6H

350mm 260mm 150mm
13.779" 10.236" 5.905"

Part No.

Bestell-Nr./Réf.

M 56 35 325



Unimet 6H



Front Panel Kit

Frontplatten-Set
Kit De Plaque Avant

Part No.

Bestell-Nr./Réf.

M 57 00 607

Version

1/1H

A

33.6 (1.323")

B

199.5 (7.854")

C

188 (7.402")

D

22.3 (0.878")

M 57 00 608

2/2H

65.1 (2.563")

199.5 (7.854")

188 (7.402")

30.8 (1.213")

M 57 00 613

3/3H

65.1 (2.563")

219.5 (8.642")

208 (8.189")

30.8 (1.213")

M 57 00 620

4/4H

100.1 (3.941")

319.5 (12.579")

308 (12.126")

65.8 (2.591")

M 57 00 616

5/5H

130.1 (5.122")

219.5 (8.642")

208 (8.189")

95.8 (3.772")

M 57 00 621

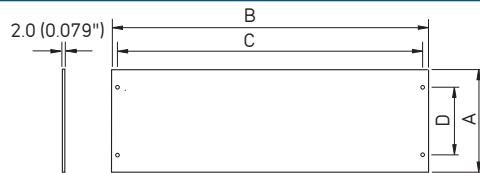
6/6H

130.1 (5.122")

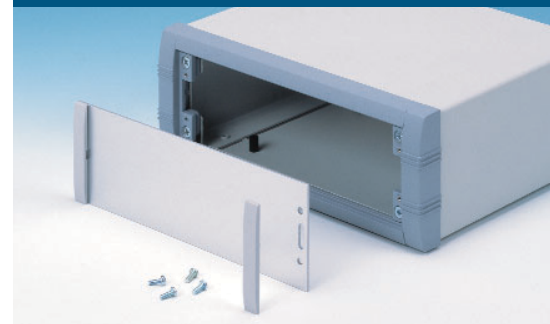
319.5 (12.579")

308 (12.126")

95.8 (3.772")



Front Panel Kit



ABS Case Feet

Gehäusefüße (ABS)
Pieds De Boîtier (ABS)

Part No.

Bestell-Nr./Réf.

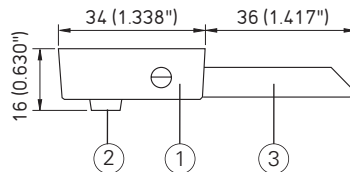
M 56 00 015

Article

①x 4 + ②x 4

M 56 00 045

①x 4 + ②x 4 + ③x 2



ABS Case Feet



PCB Pillars

Leiterkarten Montage-Set
Vis Pour Montage Des Circuit Imprimés

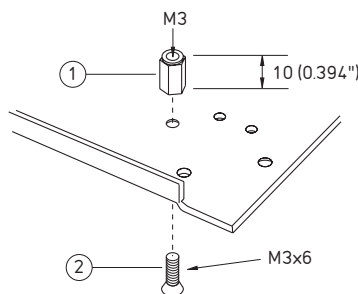
Part No.

Bestell-Nr./Réf.

M 56 00 001

Article

①x 10 + ②x 10



PCB Pillars

