

Technical Datasheet

HELLERMANN TYTON : Perfect Cable Solutions

SolidTack-Series :

- Square adhesive mountbases MB_APT-I
- Flat ribbon adhesive clips FKH_APT-I

DESCRIPTION



SolidTack mounts offer an innovative fixing solution especially for low surfaces like PP (PolyPropylene) and PE (PolyEthylene) or if drilling a hole is not possible. Such solutions are suitable for a wide range of indoor and outdoor applications on vanished, plastic or metal surfaces in many areas (electrical cabinet, railway, aerospace, automotive, agricultural machinery...).

Technical Datasheet

HELLERMANN TYTON : Perfect Cable Solutions

Features and benefits

- Mounts with homogeneous system of acrylic adhesive
- Very good initial adhesion that increases with time
- High cohesive strength combined with good weathering resistance
- Innovative fixing solution for low energy surfaces like PP, PE or painted / varnished surfaces
- Protection foil with finger lift for easy peel off
- MB_APT-I : Cable tie can be changed without removing the mount base from the pannel.
- FKH_APT-I : Closing flap / cover for a better fastening of the flat ribbon.

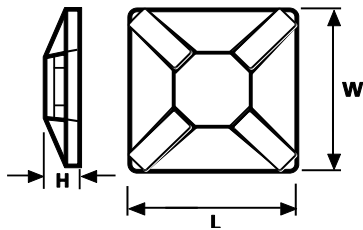
PROPERTIES

Material information		
	MB_APT-I Series	FKH_APT-I Series
Material	Polyamide 6.6 (PA66) Acrylate with base of acrylic foam (Adhesive)	Polyamide 6.6 impact modified (PA66HIR) Acrylate with base of acrylic foam (Adhesive)
Operating temperature	-40°C to +85°C	-40°C to +85°C
Flammability	UL94-V2 (adhesive excluded)	UL94-HB (adhesive excluded)

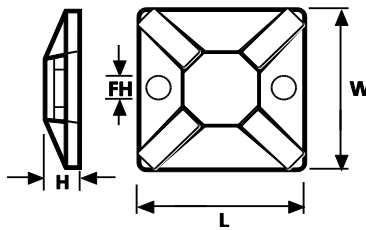
Technical Datasheet

HELLERMANN TYTON : Perfect Cable Solutions

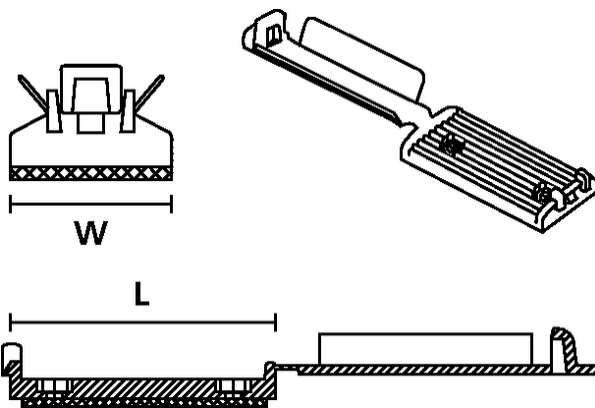
DIMENSIONS



MB2APT-I



MB3APT-I, MB4APT-I
and MB5APT-I



FKH50APT-I and FKH80APT-I



Technical information

Article n°	Type	Length (L)	Width (W)	Height (H)	Strap width max.	For cable width max	Color	Bag Cont. (pcs.)	Box Cont. (pcs.)
Adhesive square mount bases - To be combined with a cable tie									
151-01556	MB2APT-I	13	13	4,1	2,7	/	Black	100	4000
151-01557	MB3APT-I	19	19	3,8	4,1	/	Black	100	10000
151-01558	MB3APT-I	19	19	3,8	4,1	/	White	100	10000
151-01559	MB4APT-I	28	28	4,7	5,4	/	Black	100	5000
151-01560	MB4APT-I	28	28	4,7	5,4	/	White	100	5000
151-01561	MB5APT-I	38	38	6,4	10	/	Black	100	4000
Adhesive clips - For flat ribbon									
151-01562	FKH50APT-I	56,5	25	/	/	50	Black	100	1000
151-01563	FKH80APT-I	86	25	/	/	80	Black	100	600

All dimensions in mm. Subject to technical change.