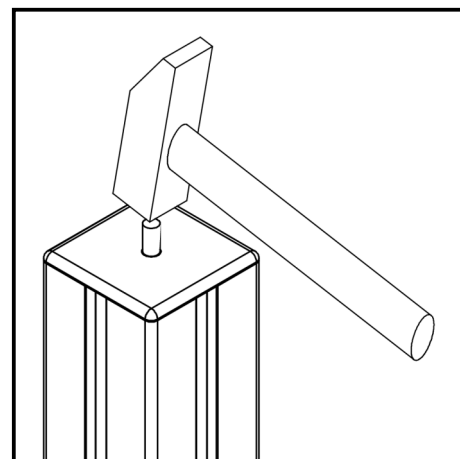
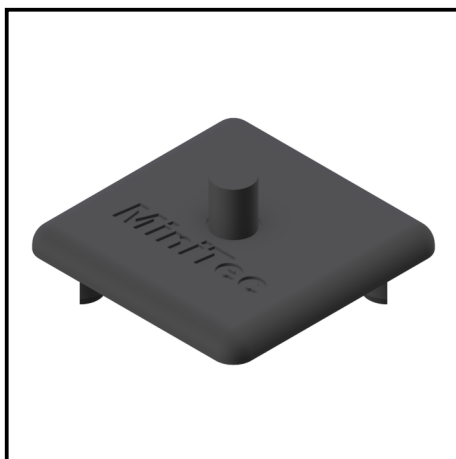
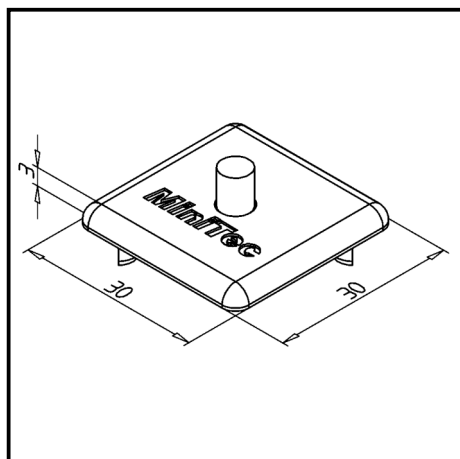


END CAP 30X30 Z GREY

Article Nr. 22.1146/1

See the product on the website →

Download CAD Files →



TECHN. DATA / ITEMS SUPPLIED

- ABS, Injection Mould, grey
- Weight = 0.002 kg/piece

APPLICATIONS

- Mouth-side covering of profile ends of profile series 45
- End face cover of series 30 profile ends

ASSEMBLY

- Insert profile cap
- Use rubber hammer to drive in lock pin flush with the profile
- To dismantle, knock through the pin with a 4mm pin
- Spare pin set Part No. [22.1009/1](#) is required for reuse