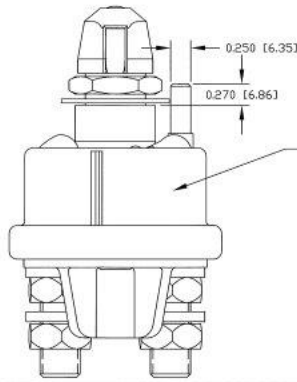
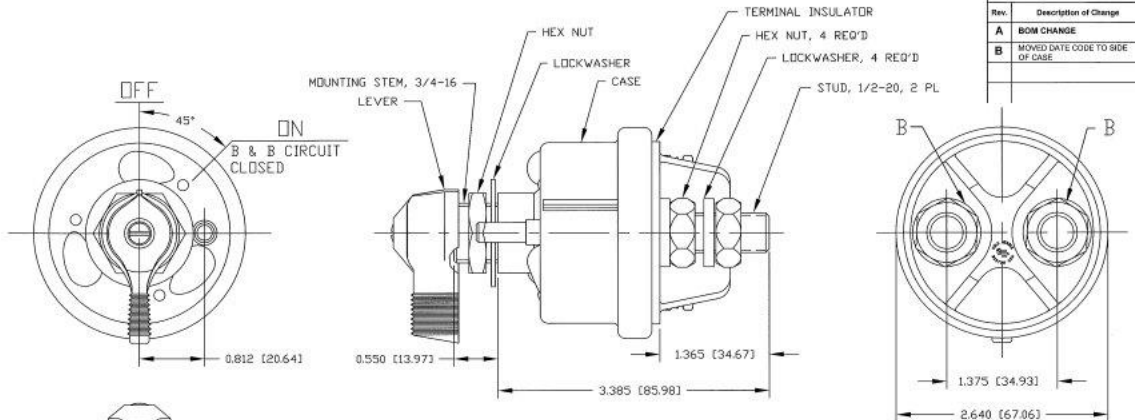


Revision Control Record			
Rev.	Description of Change	ECN No.	Date
A	BOM CHANGE	06273	08/17/06
B	MOVED DATE CODE TO SIDE OF CASE	10331	9/14/10



MARK PART NUMBER & DATE CODE ON THIS SURFACE

- NOTES:
1. ALL STEEL PARTS PLATED
 2. ALL DIMENSIONS REFERENCE ONLY
 3. SEALS BETWEEN SHAFT AND MOUNTING STEM, CASE AND TERMINAL INSULATOR, TERMINAL INSULATOR AND 1/2-20 STUDS
 4. RATING: 6, 12, 24 AND 36 VOLTS DC
 B STUDS: INTERMITTENT DUTY: 2000 AMPS
 30 SECONDS "ON" 3 MINUTES "OFF"
 CONTINUOUS DUTY: 300 AMPS

TOLERANCES - Unless otherwise specifically noted, the following are assumed tolerances:
 * 3 place Decimal Fractions ±.005
 * 2 place Decimal Fractions ±.010
 * Angles: Dimensions ±.10°
 * Holes: Refer to applicable English Dimension Tables unless noted. All references are Non-Consolidated, unless otherwise noted.

Dimensional Data - All dimensions are expressed in inches unless noted. Holes in brackets () are expressed in millimeters.

3D CAD ASSEMBLY - Non-Consolidated Reference Dimensions, unless for identification purposes only.

Used On or Ref: **EX23570E** Scale: **1:1**

DESIGN/TEAM RESPONSIBILITIES - This Engineering Drawing and the associated associated drawings, as prepared by Cole Hersee Company and may not be disclosed, reproduced, or in any other way be referred to or constructed to any other party without the express written consent of an authorized representative of Cole Hersee Company.

DESIGN/TEAM - It is the responsibility of the individual using/replicating this drawing to assure that the intent design-revision level applies with the revision level of the Controlled Document (Master Drawing). This is a NON-COMPLICATED DOCUMENT unless otherwise specifically noted.

3D NOT SCALE - Dimensional variation may occur during printing/production.

Drawn By: **MJT** Date: **05/08/95**

Special Characteristics

Critical Characteristics, relating to Safety and/or Regulatory Compliance

Significant Characteristics relating to Process Control (PPC)

Critical Dimension relating to Form - Fit - Function as defined by Cole Hersee Company and/or the Customer

NOTE: For the identification of any Characteristics as being "Special" does not alter the requirement that ALL specified characteristics & tolerances must be met.

Responsible Engineer: **NA** Pg. 1 of 1

Cole Hersee Co.
 20 Old Colony Ave., South Boston, MA, 02127
 Pbx: 617-268-2100 Web: www.colehersee.com

DESCRIPTION:
MASTER DISCONNECT SW.

Drawing / Part No.: **75908**

Responsible Engineer: **B**