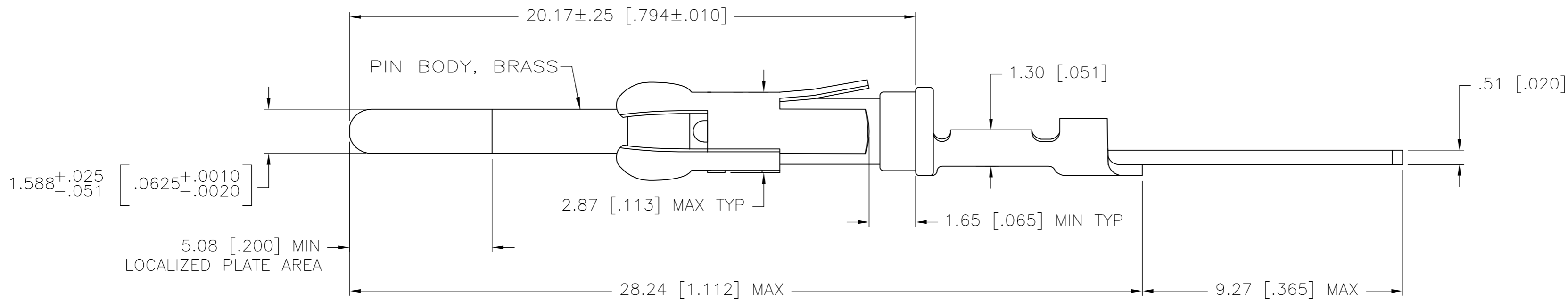
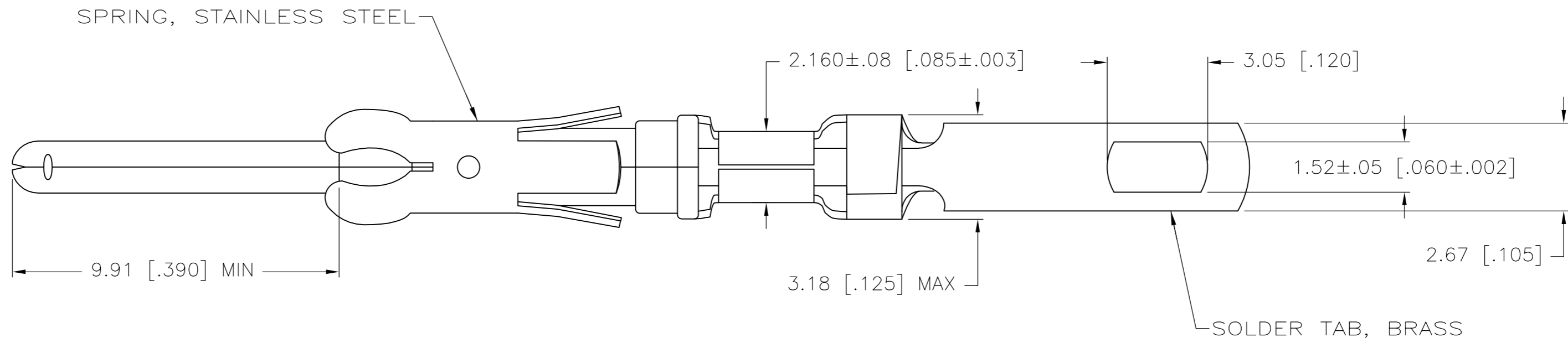


THIS DRAWING IS UNPUBLISHED. RELEASED FOR PUBLICATION
 © COPYRIGHT - By - ALL RIGHTS RESERVED.

LOC		DIST		REVISIONS			
P	LTR	DESCRIPTION		DATE	DWN	APVD	
FT	0	T1	REVISED PER ECO-11-004820	11MAR11	RK	HMR	



- ① 1.27µm [.000050] MIN TIN-LEAD OVER
1.27µm [.000050] MIN NICKEL.
- ② 0.76µm [.000030] MIN GOLD IN LOCALIZED
PLATE AREA, 0.25µm [.000010] MIN
GOLD ON THE REMAINDER ALL OVER
1.27µm [.000050] MIN NICKEL.
- ③ 2.54µm [.000100] MIN TIN-LEAD OVER
1.27µm [.000050] MIN NICKEL.
- ④ 2.54µm [.000100] MIN TIN OVER
1.27µm [.000050] MIN NICKEL.
- ⑤ 1.27µm [.000050] MIN TIN OVER
1.27µm [.000050] MIN NICKEL.

④	SMALL PACK	②	202236-8
	STANDARD	②	202236-7
③	SMALL PACK	⑤	202236-6
	STANDARD	⑤	202236-5
	SMALL PACK	①	202236-4
	SMALL PACK	②	202236-3
	STANDARD	①	202236-2
	STANDARD	②	202236-1
FINISH SOLDER TAB	PACKAGING TYPE	FINISH	PART NO

THIS DRAWING IS A CONTROLLED DOCUMENT.		DWN H MOLL	27SEP90	TE TE Connectivity	
DIMENSIONS: mm [INCHES]		CHK J.McCLINTON	15DEC90		
TOLERANCES UNLESS OTHERWISE SPECIFIED:		APVD A. BOULLIANNE	15DEC90	NAME PIN ASSEMBLY, LOOSE PIECE, TYPE III+	
0 PLC ± -		PRODUCT SPEC		SIZE CAGE CODE DRAWING NO	
1 PLC ± -		APPLICATION SPEC		RESTRICTED TO	
2 PLC ± 0.13[.005]		WEIGHT -		A2 00779 C=202236	
3 PLC ± -		MATERIAL SEE CALL OUT		SCALE 8:1 SHEET 1 of 1	
4 PLC ± -		FINISH PIN BODY:SEE TABLE		REV T1	
ANGLES ± -		CUSTOMER DRAWING			