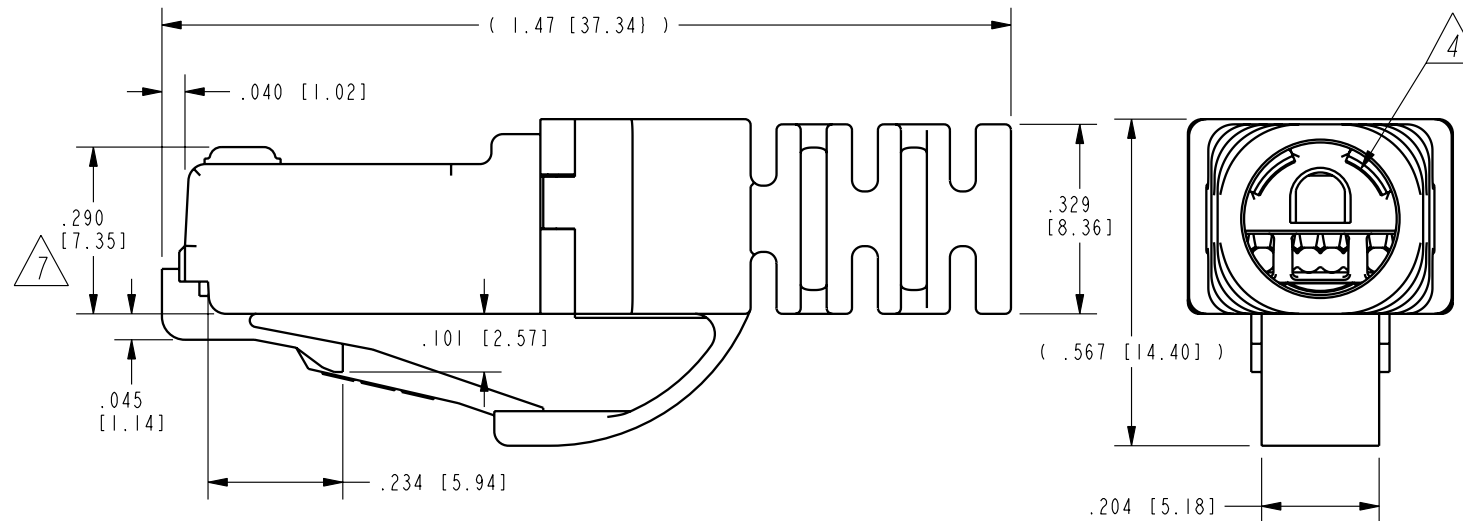
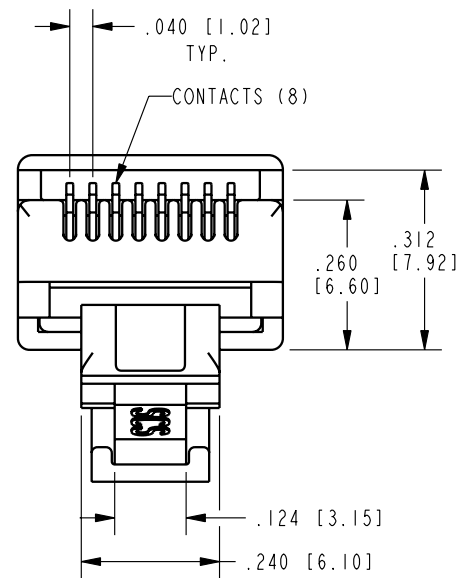
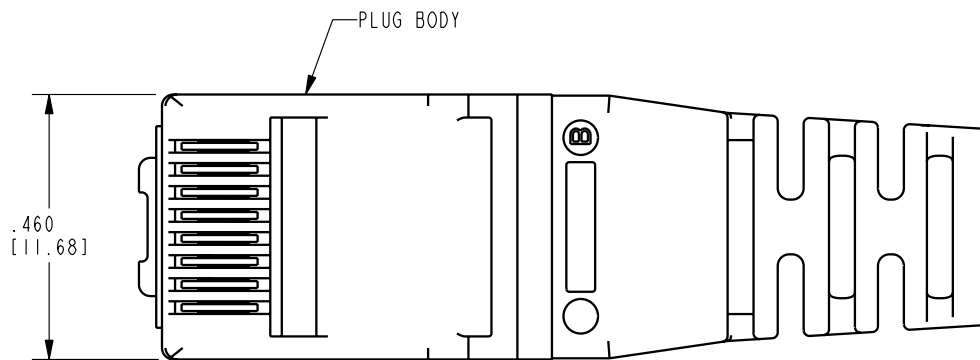
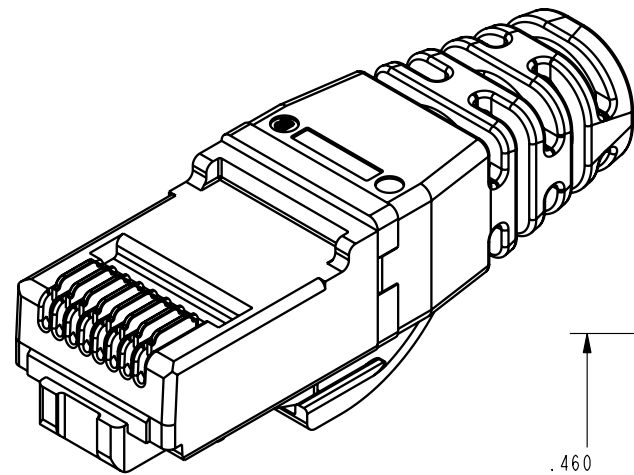


| DATE | REV. | ECN | APP'D BY |
|---------|------|------|----------|
| 1-23-06 | B2 | 7441 | JM |
| 4-25-06 | B3 | 7598 | TRM |
| | | | |
| | | | |



NOTES:

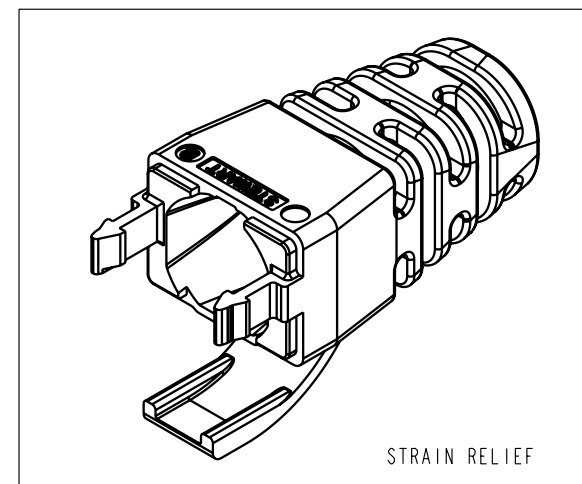
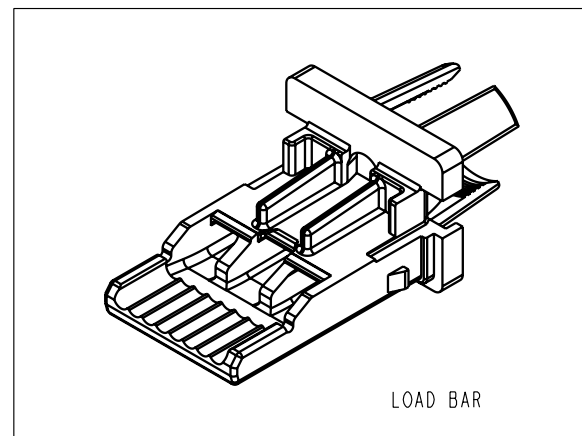
- PLUG KIT CONSISTS OF:
PRE-INSERTED PLUG BODY
LOAD BAR
STRAIN RELIEF
- MATERIALS:
PLUG BODY: CLEAR POLYCARBONATE, UL 94-V0
LOAD BAR: CLEAR POLYCARBONATE, UL 94-V0
STRAIN RELIEF: CLEAR POLYCARBONATE, UL 94-V0
CONTACTS: COPPER ALLOY, SELECTIVE GOLD PLATING
- CONTACTS TERMINATE SOLID OR STRANDED CONDUCTORS BETWEEN .037 [0.94] TO .042 [1.07] OUTSIDE DIAMETER OF INSULATION.
- STRAIN RELIEF IS FOR CABLES WITH OUTSIDE DIAMETERS OF .240 [6.10] TO .250 [6.35].
- PLUG SPECIFICATION: FOR CATEGORY 6 APPLICATIONS.
- TOLERANCES COMPLY WITH F.C.C. DIMENSION REQUIREMENTS.
- TERMINATED PLUG HEIGHT: .237 [6.02] ±.005 [0.13].
- FOR PRODUCT SPECIFICATION SEE PR026-01.

B

B

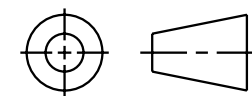
A

A



| | | |
|---------|-----------------------------------|--------------|
| BULK | 50 MICRO-INCHES [1.27um] | SS-39100-011 |
| PACKAGE | CONTACT PLATING IN MATING AREA | PART NUMBER |

THIRD ANGLE PROJECTION



Bel Stewart Connector

11118 Susquehanna Trail South
Glen Rock, PA 17327-9199
(717) 235-7512 Fax: (717) 235-7954 <http://www.stewartconnector.com>

DO NOT SCALE DRAWING
DRAWING IS SUBJECT TO
CHANGE WITHOUT NOTICE

TITLE: 8 POSITION/8 CONDUCTOR CAT6/6A UNSHIELDED PLUG,
LOAD BAR & STRAIN ASS'Y. (ANTI-SNAG VERSION)

DIMENSIONS: INCHES [METRIC]
UNLESS OTHERWISE SPECIFIED
TOLERANCES ARE ±.005 [0.13]
ANGLES ARE ±1°

THIS DRAWING AND THE SUBJECT MATTER SHOWN THEREON
ARE CONFIDENTIAL AND THE PROPRIETARY PROPERTY OF
BEL STEWART CONNECTOR AND SHALL NOT BE REPRODUCED,
COPIED, OR USED IN ANY MANNER WITHOUT PRIOR WRITTEN
CONSENT OF BEL STEWART CONNECTOR. THE SUBJECT
MATTER MAY BE PATENTED OR A PATENT MAY BE PENDING.

| | | | |
|----------|----------|------|---------|
| DRN BY: | TRM | DATE | 6-30-04 |
| APPD BY: | RGC | DATE | 7-23-04 |
| DWG. NO. | CT390034 | REV. | B3 |

SHEET NO.
1 OF 1

