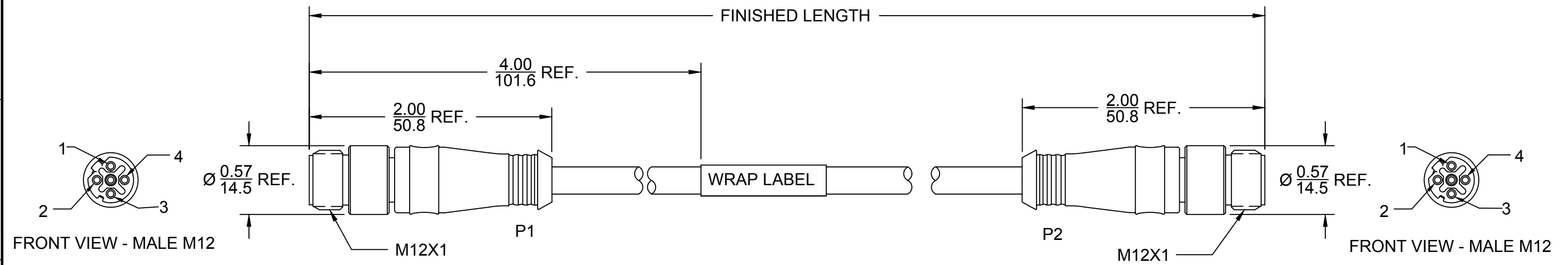


MATERIAL NUMBER	ENG. NUMBER	FINISHED LENGTH [M] +TOL [MM]
1201088419	E11A06016M005	0.5 +44 -0
1201088420	E11A06016M010	1.0 +56 -0
1201088433	E11A06016M250	25.0 +622 -0



CABLE TYPE
24 AWG PUR-TEAL

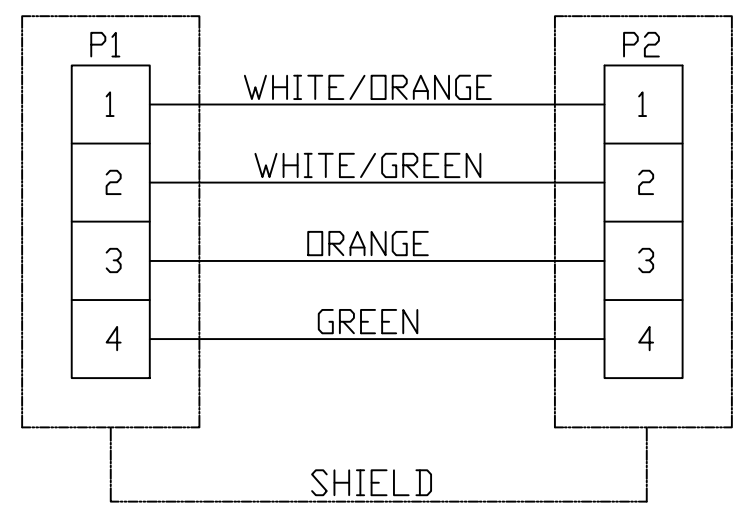
E11A06016MXXX

LENGTH
M005 - 0.5M
M050 - 5M
M200 - 20M

ADDITIONAL CABLE INFORMATION

PHYSICAL CHARACTERISTICS:	
CONDUCTOR SIZE	24AWG 2 PAIR (19/0.12mm) BARE COPPER
INSULATION MATERIAL	POLYOLEFIN
SHIELD/BRAID	TINNED COPPER 85% COVERAGE
JACKET MATERIAL	PUR (TEAL)
CONDUCTOR	ORANGE, ORANGE-WHITE & GREEN, GREEN-WHITE
TAPE	ALUMINUM-POLYESTER

CABLE:	
TEMPERATURE RATING (STORAGE)	-40 / +80°C
TEMPERATURE RATING (OPERATION)	-20 / +50°C
WELD SLAG RESISTANCE	YES, S-300 MOLEX TEST
FREE SUBSTANCE'S	FCKW, SILICONE, AND PB
FIRE PERFORMANCE	IEC60332-1, UL1581
OIL RESISTANCE	ISO6722, UL758/2556



NOTES:

STANDARDS:
PROTECTION: IP67

WRAP LABEL:
MARKED WITH P/N, DATE CODE, VOLTAGE & AMPERAGE

ELECTRICAL
ACCORDING TO CAT5e
VOLTAGE RATING: 30V AC/DC (B)
AMPERAGE: 1.5A

QTY	DESCRIPTION	MATERIAL	FINISH
1	LABEL	VINYL	BLACK/YELLOW
2	INSTERT	PUR	BLACK
8	M12 FEMALE PIN CONTACT	COPPER ALLOY	GOLD PLATED
2	M12 COUPLING NUT	BRASS	NICKEL PLATED
2	OVERMOLD	PUR	BLACK
-	CABLE	PUR	TEAL

NOTE CHANGE: 30V WAS 150V EC NO: IPG2019-0566 DRWN: JCAPOZZ 2019/06/24 CHKD: -- APPR: BWOODMAN2015/06/03	QUALITY SYMBOLS ▽=0 ▽C=0	GENERAL TOLERANCES (UNLESS SPECIFIED)		DIMENSION STYLE INCH/MM		SCALE NTS	DESIGN UNITS INCH	THIRD ANGLE PROJECTION		
		4 PLACES	±---	±---	DRAWN BY	DATE	TITLE MICRO-CHANGE 4P MALE/MALE M12 ST/ST #24-2TP TEAL PUR CAT5E			
		3 PLACES	±---	±.005	CHECKED BY	DATE				
		2 PLACES	±0.05	±.010	APPROVED BY	DATE	Molex MOLEX INCORPORATED			
1 PLACE	±0.10	±.020	BWOODMAN	2015/06/03						
ANGULAR ±.5°		DRAFT WHERE APPLICABLE MUST REMAIN WITHIN DIMENSIONS		SEE MATRIX		DOCUMENT NO. SD-120108-083		SHEET NO. 1 OF 1		
THIS DRAWING CONTAINS INFORMATION THAT IS PROPRIETARY TO MOLEX INCORPORATED AND SHOULD NOT BE USED WITHOUT WRITTEN PERMISSION										