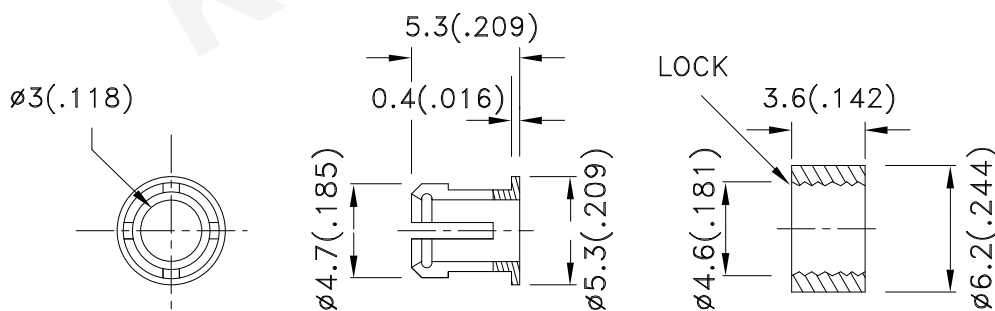


Part Number: RTC-32

### Features

- Suitable for back panel illumination, circuit board indicator, LED indicator.
- UL rating : 94V-0.
- Housing material: type 66 nylon.
- Recommended hole size:  $\Phi 4.3\text{mm}$ .
- RoHS compliant.

### Package Dimensions



#### Notes:

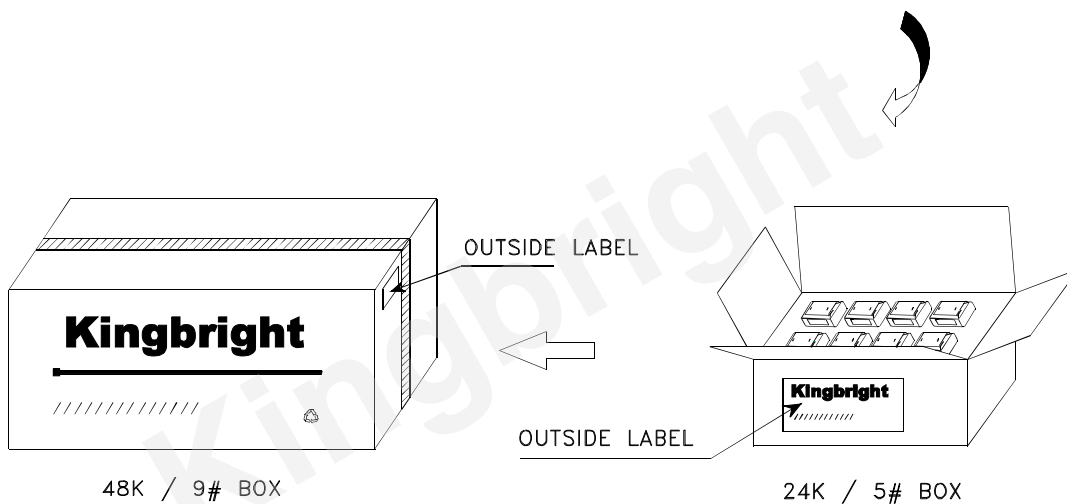
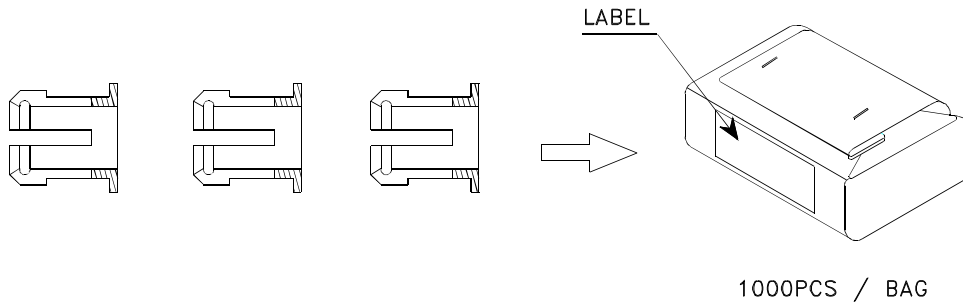
1. All dimensions are in millimeters (inches).
2. Tolerance is  $\pm 0.25(0.01)$ " unless otherwise noted.
3. Specifications are subject to change without notice.




# Kingbright

## PACKING & LABEL SPECIFICATIONS

## RTC-32



<b>Kingbright</b>		
P/NO: RTC-32		
QTY: 1000 pcs	Q.C.	Q C XX XX XXXX PASSED
S/N: XXXX		
CODE: XXX		
LOT NO:		
 xxxxxxxxxxxxxxxxxxxxxxxxxxxx		
RoHS Compliant		