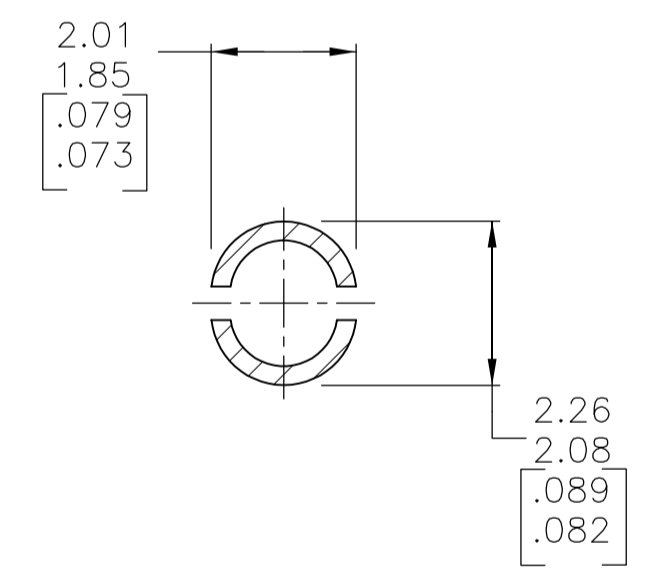
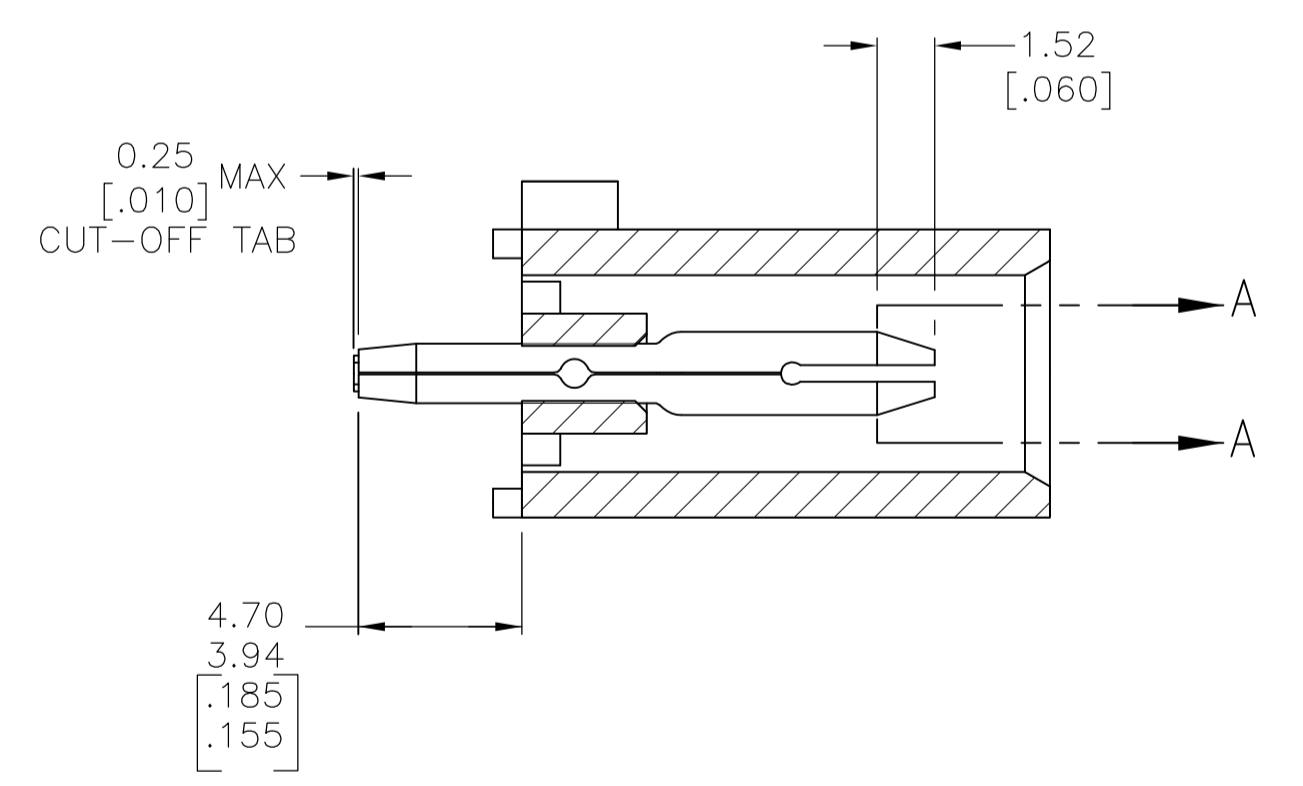
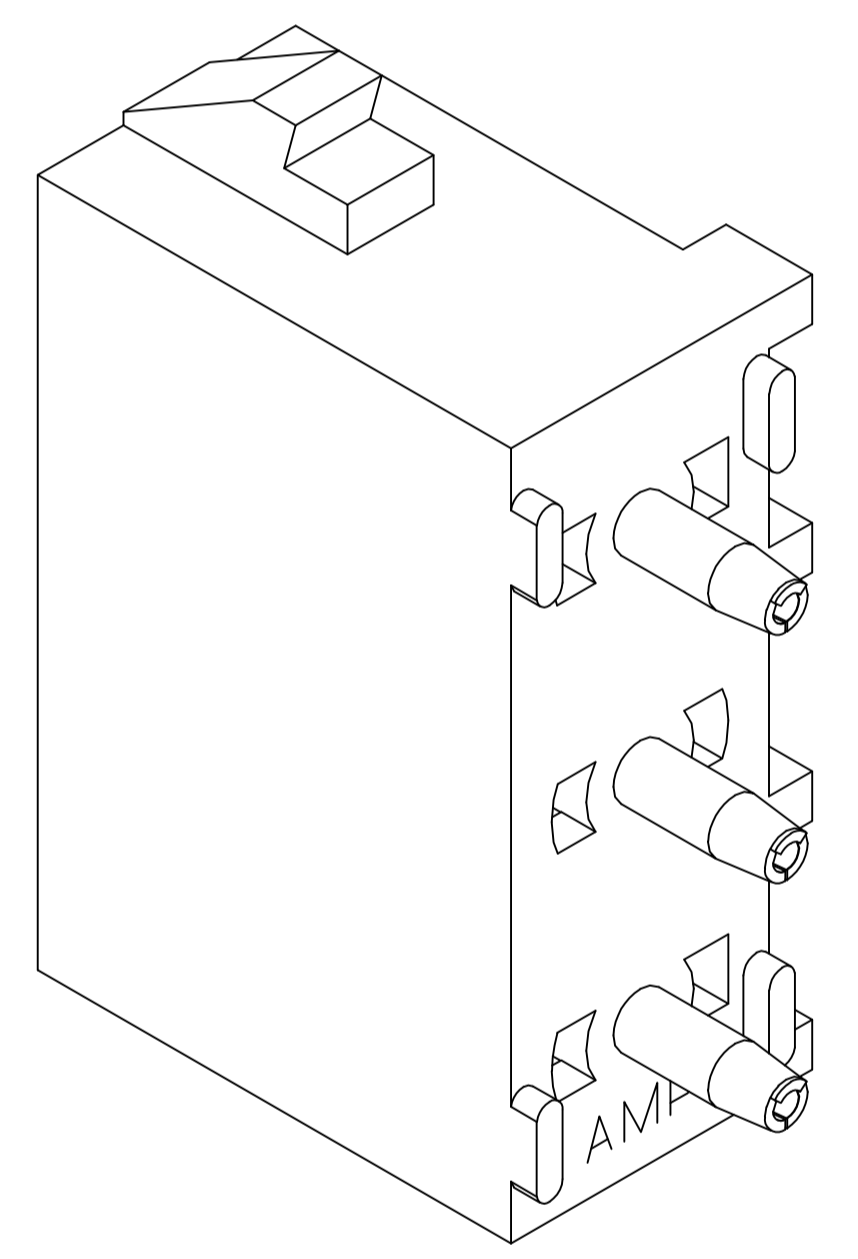
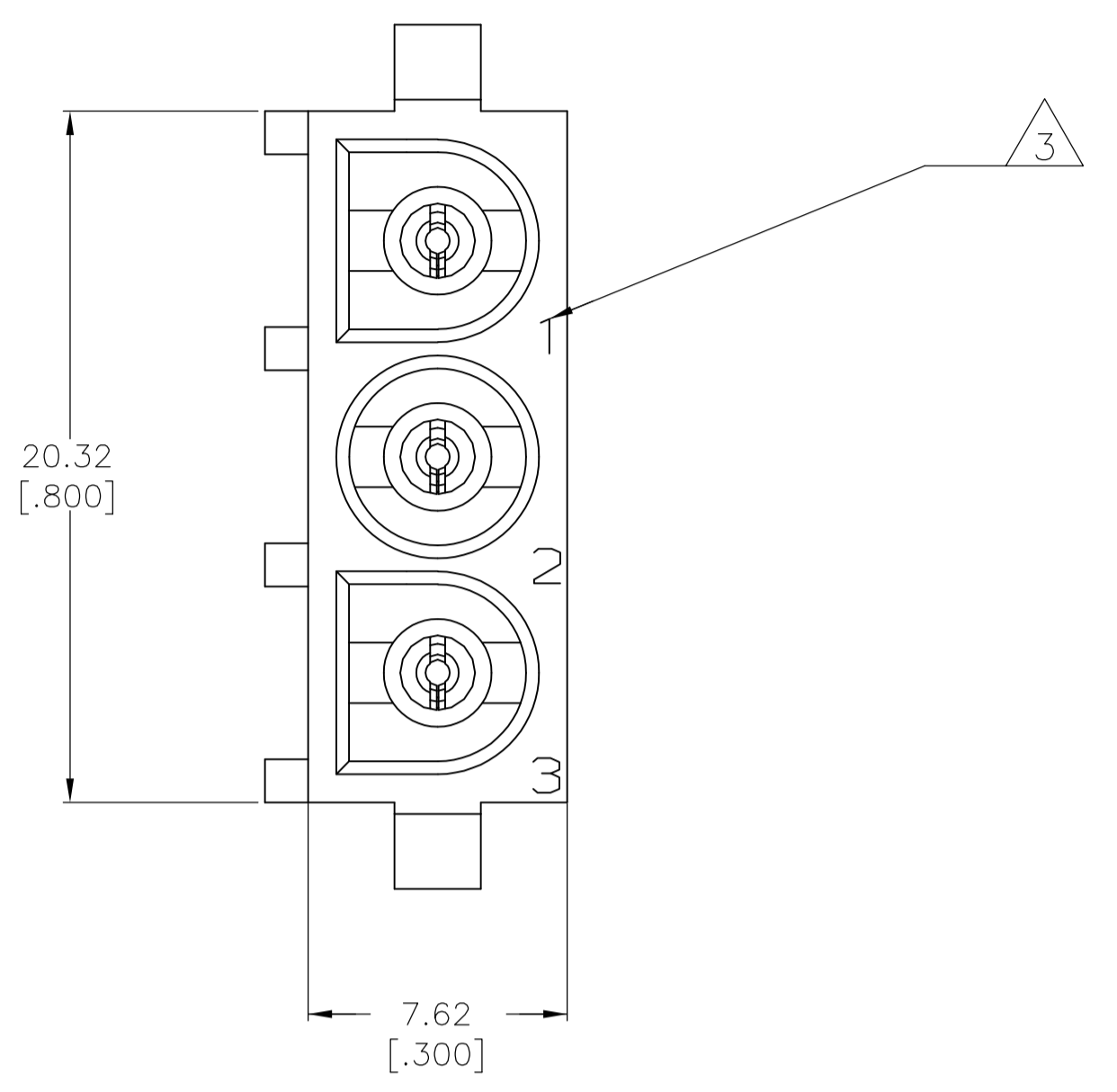
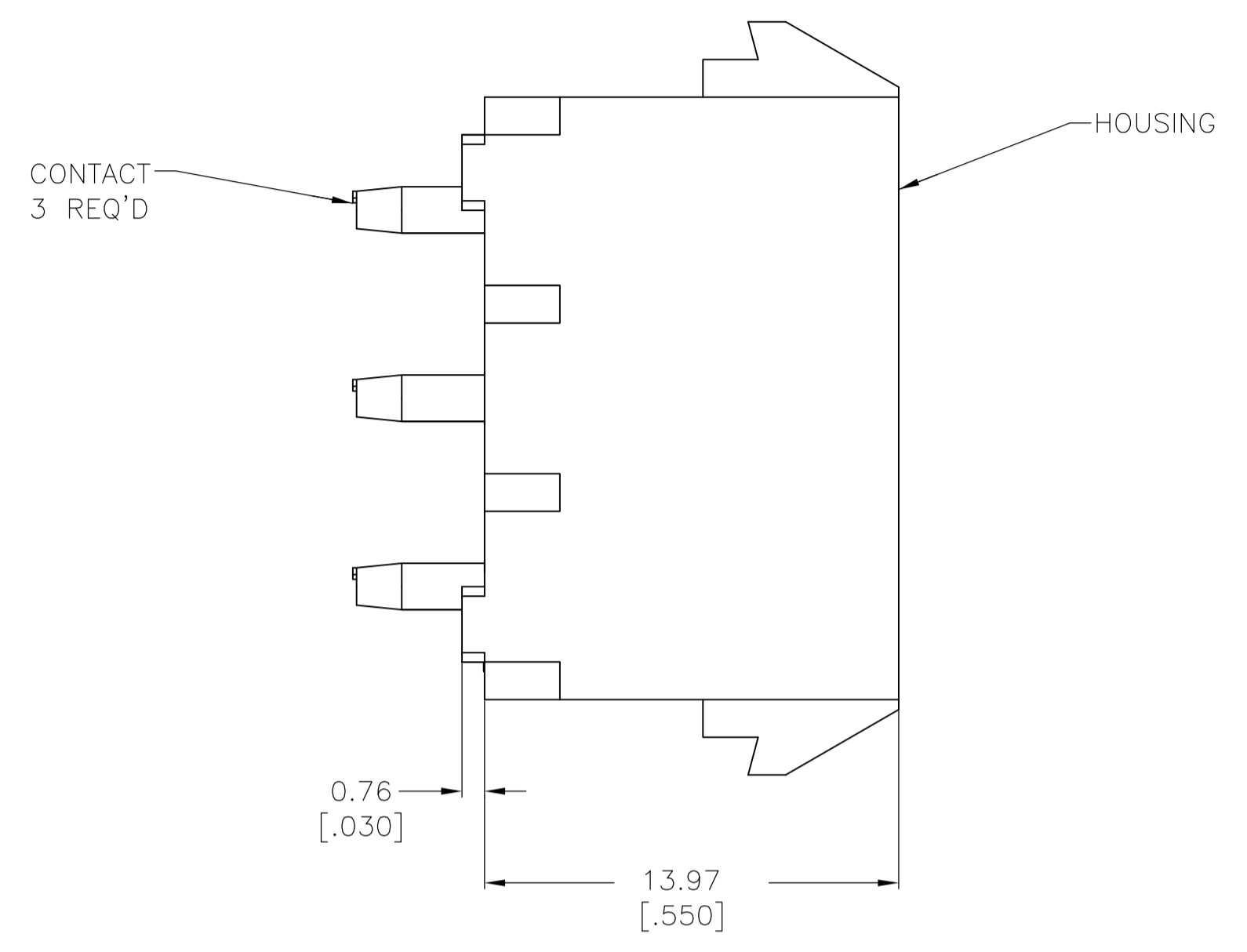
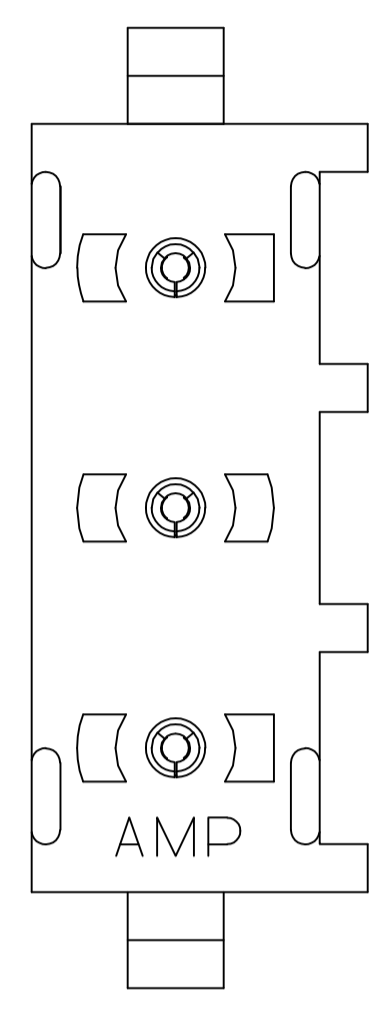
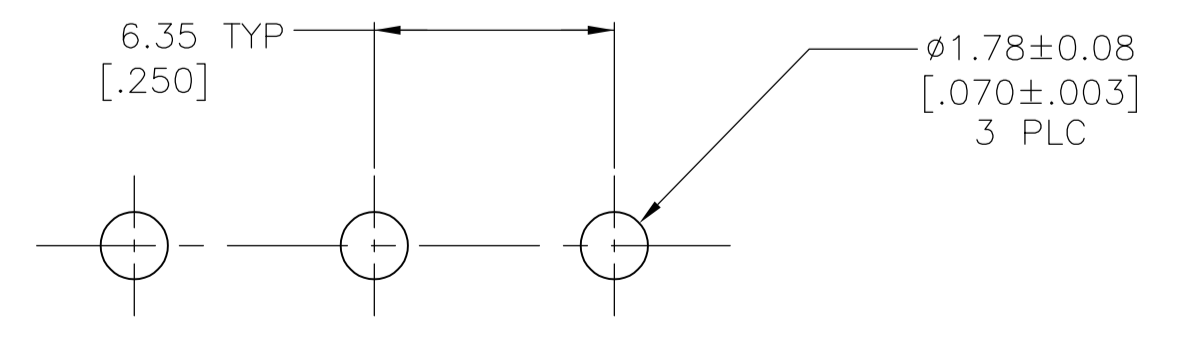


REVISIONS				
REV	DATE	DESCRIPTION	BY	APP'D
A	10MAR2016	REVISED PER ECR-16-002640	BW	EW

- PARTS COMPLY TO AMP SOLDERABILITY SPECIFICATION 109-11-3.
- DIMENSIONS IN BRACKETS ARE IN INCHES.
- CIRCUIT IDENTIFICATION CHARACTERS ARE ADJACENT TO THE INDICATED CAVITIES, BUT LOCATION AND ORIENTATION MAY DIFFER FROM PRINT.
- FLAMMABILITY UL V-0 FOR THICKNESS 0.4, 0.45, 0.8, 1.6, AND 3.0 PER IEC 60695-11-10.
- GLOW WIRE FLAMMABILITY (GWFI): 960°C FOR THICKNESS 0.45, 0.8, 1.6, AND 3.0 PER IEC 60695-2-12.
- GLOW WIRE IGNITION (GWIT): 825°C FOR THICKNESS 0.45, 800°C FOR THICKNESS 0.8, 775°C FOR THICKNESS 1.6 AND 3.0 PER IEC 60695-2-13.



SECTION A-A
SCALE 10:1



RECOMMENDED MOUNTING HOLE PATTERN
FOR 1.57 [.062] THICK P.C. BOARD

PHOSPHOR BRONZE, PRE-TIN	NYLON, UL V-0 GW, NATURAL	1969803-1
PIN CONTACT MATERIAL AND FINISH	HOUSING MATERIAL	PART NO

THIS DRAWING IS A CONTROLLED DOCUMENT.		DIN 09JAN2016 DESVESH, WARAD CHK 09JAN2016 WICKES, EVAN APVD 09JAN2016 WICKES, EVAN PRODUCT SPEC		STE TE Connectivity NAME PIN HEADER ASSEMBLY, 3 CIRCUIT UNIVERSAL MATE-N-LOK(TM)	
DIMENSIONS: mm [INCHES]	TOLERANCES UNLESS OTHERWISE SPECIFIED:	APPLICATION SPEC	SIZE	CAGE CODE	DRAWING NO
0 PLC ± - 1 PLC ± - 2 PLC ± 0.13 [.005] 3 PLC ± - 4 PLC ± - ANGLES ± 0°30'	SEE TABLE	SEE TABLE	A1	00779	1969803
MATERIAL	FINISH	WEIGHT	CUSTOMER DRAWING		SCALE 5:1 SHEET 1 OF 1 REV A