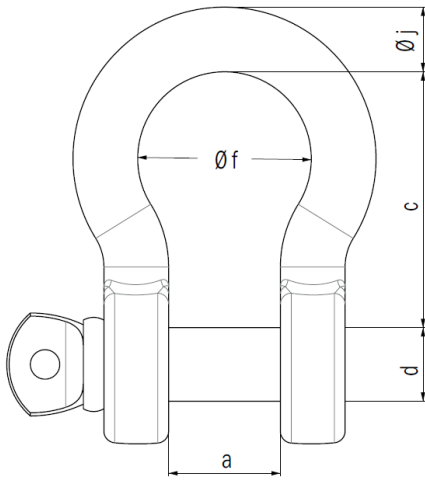


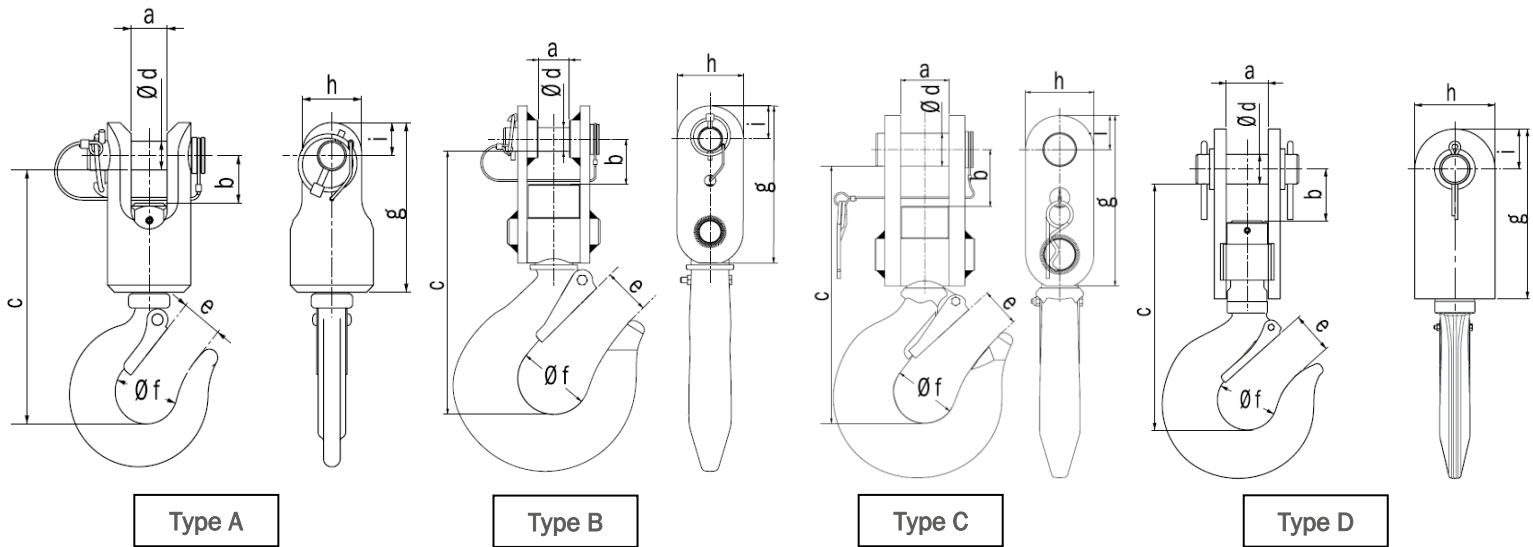
BOW SHACKLES – TECHNICAL CHARACTERISTICS



Working load limit WLL (t)	Code	Dimensions (mm)					Weight (kg)
		a	c	d	Øf	Øj	
3.25	47916	27	60	20	42	16	0.6
6.5	47926	37	84	25	58	22	1.4
13.5	47936	57	132	38	89	35	4.4
17	112427	60	146	42	98	41	7.8
25	47946	73	178	50	110	50	14
50	47956	105	267	70	150	64	39.7
120	38166	146	381	95	241	89	97
250	93106	200	540	140	320	125	340

All our bow shackles have a minimum safety factor of 4, made in forged steel. They are delivered painted or galvanised.

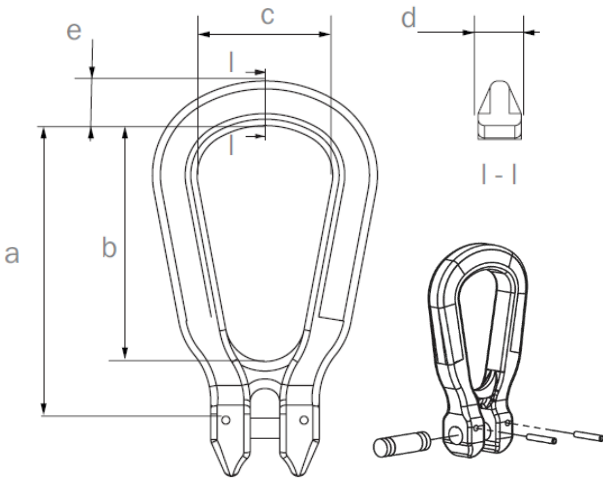
SWIVEL HOOKS – TECHNICAL CHARACTERISTICS



Working load limit WLL (t)	Code	Type	Dimensions (mm)								Weight (kg)	
			a	b	c	Ød	e	Øf	g	h		i
3.2	040977	A	26	33	185	20	32	49	118	43	23	3.2
6.5	105567	B	33	48	277.5	25	50	74	166	70	35	9.6
15	113227	C	60	70	320.5	41	58	80	213	85	42.5	17.4
20	105587	C	72	86	387	50	76	104	270	110	55	31.5
25	051207	D	70	86	387	50	76	104	250	134	67	44
50	051447	D	101	110	505	70	100	125	321	164	82	90

All our swivel hooks have a minimum safety factor of 4, made in high strength steel. They are delivered painted in black.

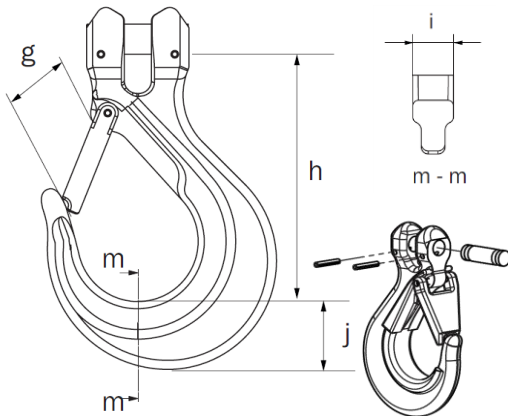
CLEVIS SHACKLES – TECHNICAL CHARACTERISTICS



Working load limit WLL (t)	Code	Dimensions (mm)					Weight (kg)
		a	b	c	d	e	
3.2	111407	111	88	50	17	17	0.77
6.3	111417	185	150	85	27	29	3.14
10	112207	210	155	95	27	31	4.31

All our clevis shackles have a minimum safety factor of 4, made in high strength steel.
They are delivered painted in yellow, with axles and safety pin.








CLEVIS HOOK – TECHNICAL CHARACTERISTICS



Working load limit WLL (t)	Code	Dimensions (mm)				Weight (kg)
		g	h	i	j	
3.2	111437	41	110	25	30	1.08
6.3	111447	67	164	34	47	3.72
10	112217	80	195	43	50	7.56

All our clevis hooks have a minimum safety factor of 4, made in high strength steel.
They are delivered painted in yellow, with axles and safety pin.

COMPATIBILITY WITH DYNAFOR INDUSTRIAL, PRO AND EXPERT

Product model	Capacity (t)	 Bow shackle	 Swivel hook	 Clevis shackle	 Clevis hook
 Industrial	1 - 3.2	47916	40977		
	6.3	47926	105567		
	12.5	47936	113227		
	20	47946	105587		
 Pro	1 - 3.2	47916	40977		
	6.5	47926	105567		
	15	112427	113227		
	25	47946	51207		
	50	47956	51447		
	100	38166			
 Expert	0.5 - 1 - 2 - 3.2	47916		111407	111437
	5 - 6.3	47926		111417	111447
	10	47936		112207	112217