

NOTES: UNLESS OTHERWISE SPECIFIED

1. MATERIAL:

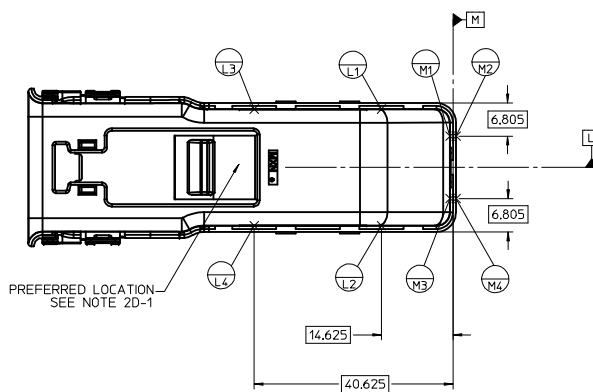
- A. RESIN: PBT, GF, 30% 20% MAX. REGRIND (BY WEIGHT)
- B. COLOR: SEE TABLE

2. DESIGN - GENERAL:

- A. THIS IS A 100% CAD GENERATED PART. THE CAD MATHEMATICAL DATA IS THE MASTER FOR THIS PART. FOR DIMENSIONAL OR ANY INFORMATION NOT SHOWN ON THIS DRAWING, ANALYZE THE CAD MODEL.
- B. TOLERANCES:
 - a. LINEAR X.X ± 0.30
 - X.XX ± 0.10
 - X.XXX ± 0.10
 - b. ANGULAR X° ± 3.0°
- C. CORNERS SHOWN AS SHARP TO BE R 0.2 MAX.
- D-1. FOLLOWING PRODUCTION CODES TO BE PRESENT
 - a. DATE CODE
 - b. CAVITY ID
- E-1. PARTS MUST BE FREE OF DISCOLORATION, SALT RESIDUE AND OTHER IMPERFECTIONS THAT AFFECT FIT OR FUNCTION.
- E-2. SCRATCHES OR DENTS NOT TO EXCEED 0.13mm IN DEPTH.
- F. CHANGES IN DESIGN FROM PART PREVIOUSLY APPROVED REQUIRES PRIOR ENGINEERING APPROVAL. THIS INCLUDES BUT IS NOT LIMITED TO DRAFT, MATERIAL OR PROCESSING.

3. DESIGN - MANUFACTURING:

- A. DRAFT TO BE WITHIN TOLERANCE.
- B. ALLOWABLE FLASH 0.2 MAX HIGH X 0.13 MAX THICK.
- C. ALLOWABLE PARTING LINE MISMATCH 0.2 MAX.
- D. EJECTOR PINS MARK TO BE FLUSH TO 0.25 MAX DEPRESSED.
- E. ALLOWABLE GATE VESTIGE TO BE FLUSH TO 0.25 MAX PROTRUSION.



AUTOMATION ENGINEERING ▼ FUNCTIONAL ASSEMBLY: 0
 CUSTOMER ▼ FUNCTIONAL CUSTOMER: 0
 PRODUCT ENGINEERING ▼ FUNCTIONAL PRODUCT: 1

ENTER DESCRIPTION
 IEC NO: UAU2014-0421
 DRAWN BY: 2013/09/26
 CHKD: 2013/09/27
 APPR: VKOSHY

QUALITY SYMBOLS
 ▽=0
 ▽=0

| GENERAL TOLERANCES (UNLESS SPECIFIED) | |
|---------------------------------------|-----------|
| PLACES | TOLERANCE |
| 4 PLACES | ± 0.30 |
| 3 PLACES | ± 0.10 |
| 2 PLACES | ± 0.10 |
| 1 PLACE | ± 0.10 |
| ANGULAR ± 3.0° | |

| MATERIAL NO. | D | BLACK | SALEABLE |
|--------------|---|-------|----------|
| 34565-0003 | | | |

| REV | DESCRIPTION |
|-----|------------------------------------|
| D4 | UPDATE DIMENSIONS TO MATCH MODEL |
| D3 | RELEASED INTO ONE-SPACE FROM PRO-E |

DRAFT WHERE APPLICABLE MUST REMAIN WITHIN DIMENSIONS

AS NOTED THIS DRAWING CONTAINS INFORMATION THAT IS PROPRIETARY TO MOLEX INCORPORATED AND SHOULD NOT BE USED WITHOUT WRITTEN PERMISSION

MOLEX INCORPORATED
 SD-34565-001
 1 OF 1