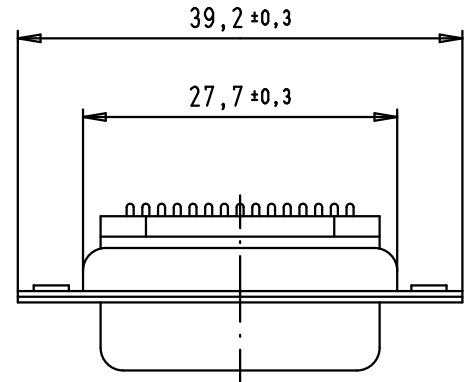
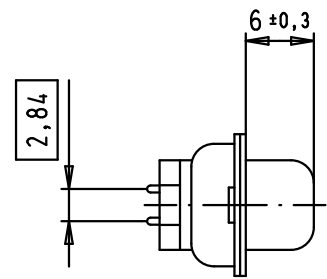
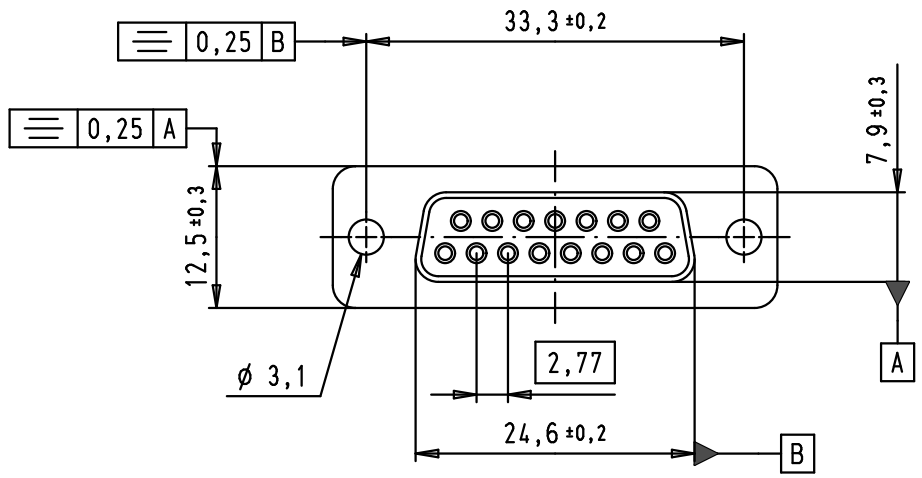




5 4 3 2 1



FREQUENCY (MHz)	ATTENUATION (dB)
5	0,5
10	1
50	2,5
100	3
500	3,5
1000	4

Operating voltage < 250 V AC  
 Working current < 7,5 A  
 Insulation resistance > 1GΩ  
 Contact resistance < 15 mΩ  
 Dielectric withstanding voltage 500 V AC / minute

Solder bucket termination inner diameter: 1,20 mm

				Dot.	Name	 All Dim. in mm Orig. Size DIN A 4	D-Sub, female, straight, 15 poles, tin plated shell, solder buckets, ferrite filter	Maßstab/ Scale  1,5:1
			Detail.	11/06/09	PK			
			Insp.					
			Stand.					
09 64 211 7800	Au Flash	EC00332	11/06/09	PK	HARTING EURL F-95972 Paris		TB 09 64 211 7800	Blatt/ Page 1 / 1
Part number	Performance level	Mod.	Dot.	Name				

D  
C  
B  
A