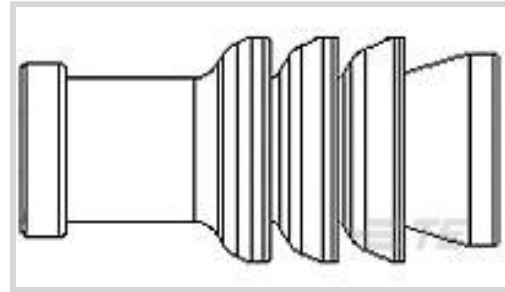




Connectors > Automotive Connectors > Seals & Cavity Plugs



Connector Seal Type: **Single Wire Seal (SWS)**

Cavity Diameter: **4 mm [ .157 in ]**

Accepts Cable Insulation Diameter Range: **1.4 mm [ .055 in ]**

Seal Material: **Silicone**

Resistance to Hydrocarbons: **Poor**

## Features

### Product Type Features

Connector Seal Type	Single Wire Seal (SWS)
---------------------	------------------------

### Body Features

Seal Material	Silicone
Primary Product Color	Gray

### Dimensions

Cavity Diameter	4 mm[.157 in]
Accepts Cable Insulation Diameter Range	1.4 mm[.055 in]

### Usage Conditions

Operating Temperature (Max)	65 °C, 70 °C, 75 °C, 80 °C, 85 °C, 90 °C, 100 °C, 105 °C, 110 °C, 120 °C, 125 °C, 130 °C [149 °F][158 °F][167 °F][176 °F][185 °F][194 °F][212 °F][221 °F][230 °F][248 °F][257 °F][266 °F]
Operating Temperature Range	-40 – 130 °C[-40 – 266 °F]

### Industry Standards

UL Flammability Rating	None
------------------------	------

### Other

Resistance to Hydrocarbons	Poor
Shore A Hardness	50
Contains Lubricant	Yes

## Product Compliance

[For compliance documentation, visit the product page on TE.com>](#)

EU RoHS Directive 2011/65/EU	Compliant
EU ELV Directive 2000/53/EC	Compliant
China RoHS 2 Directive MIIT Order No 32, 2016	No Restricted Materials Above Threshold
EU REACH Regulation (EC) No. 1907/2006	Current ECHA Candidate List: JUN 2020 (209) Candidate List Declared Against: JUL 2019 (201) Does not contain REACH SVHC
Halogen Content	Not Low Halogen - contains Br or Cl > 900 ppm.
Solder Process Capability	Not applicable for solder process capability

### Product Compliance Disclaimer

This information is provided based on reasonable inquiry of our suppliers and represents our current actual knowledge based on the information they provided. This information is subject to change. The part numbers that TE has identified as EU RoHS compliant have a maximum concentration of 0.1% by weight in homogenous materials for lead, hexavalent chromium, mercury, PBB, PBDE, DBP, BBP, DEHP, DIBP, and 0.01% for cadmium, or qualify for an exemption to these limits as defined in the Annexes of Directive 2011/65/EU (RoHS2). Finished electrical and electronic equipment products will be CE marked as required by Directive 2011/65/EU. Components may not be CE marked. Additionally, the part numbers that TE has identified as EU ELV compliant have a maximum concentration of 0.1% by weight in homogenous materials for lead, hexavalent chromium, and mercury, and 0.01% for cadmium, or qualify for an exemption to these limits as defined in the Annexes of Directive 2000/53/EC (ELV). Regarding the REACH Regulation, the information TE provides on SVHC in articles for this part number is based on the latest European Chemicals Agency (ECHA) 'Guidance on requirements for substances in articles' posted at this URL: <https://echa.europa.eu/guidance-documents/guidance-on-reach>

## Compatible Parts

 <p>TE Model / Part # CAT-M8793-CH8172 MQS, CONNECTOR HOUSING</p>	 <p>TE Model / Part # CAT-M4595-T273 MCON, RECEPTACLE AND TAB</p>	 <p>TE Model / Part # CAT-M4595-CH8172 MCON, CONNECTOR HOUSING</p>	 <p>TE Model / Part # CAT-M8793-T273 MQS, RECEPTACLE AND TAB</p>
--	---	---	---



TE Model / Part # CAT-HPCH5372  
HIGH PIN COUNT HEADER



TE Model / Part # 2151477-1  
OCEAN\_2.0\_APPLICATOR-S-055F125F



TE Model / Part # 2151477-2  
OCEAN\_2.0\_APPLICATOR-S-055F125F



TE Model / Part # 2324808-3  
2POS,MCON 1.2,REC HSG ASSY,SLD,  
COD C



TE Model / Part # 2327042-1  
2POS,MCON 1.2,TAB HSG ASSY,SLD,  
COD A



TE Model / Part # 2324808-1  
2POS,MCON 1.2,REC HSG ASSY,SLD,  
COD A



TE Model / Part # 2-2151477-1  
OCEAN\_2.0\_APPLICATOR-S-055F125F



TE Model / Part # 2-2151477-2  
OCEAN\_2.0\_APPLICATOR-S-055F125F



TE Model / Part # 2324808-2  
2POS,MCON 1.2,REC HSG ASSY,SLD,  
COD B



TE Model / Part # 2327042-2  
2POS,MCON 1.2,TAB HSG ASSY,SLD,  
COD B



TE Model / Part # 2327042-3  
2POS,MCON 1.2,TAB HSG ASSY,SLD,  
COD C



TE Model / Part # 9-368213-8  
AIR BAG 50P HDR ASSY L-GRN/JZ



TE Model / Part # 962885-5  
MQS0,63 Au rec LL EDS 0,2-0,35



TE Model / Part # 962885-1  
MQS0,63 Sn rec LL EDS 0,2-0,35

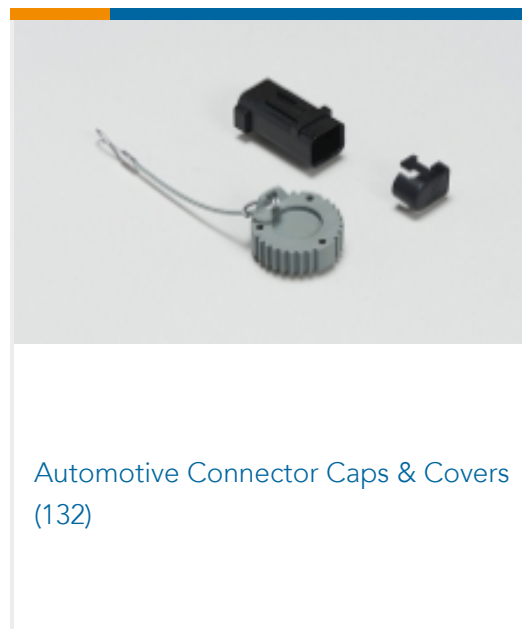


TE Model / Part # 962886-1  
MQS0,63 Sn tab LL EDS 0,2-0,5

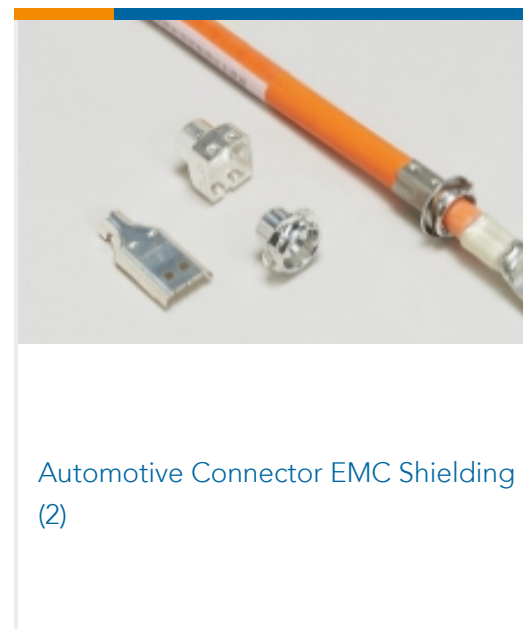


TE Model / Part # 1-962886-1  
MQS0,63 Sn tab LL EDS 0,2-0,5

## Also in the Series | MQS



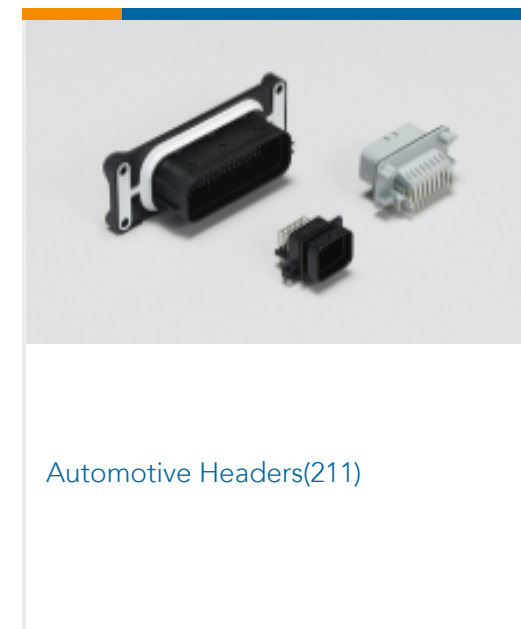
Automotive Connector Caps & Covers  
(132)



Automotive Connector EMC Shielding  
(2)



Automotive Connector Locks &  
Position Assurance(29)



Automotive Headers(211)



Automotive Housings(502)



Automotive Seals & Cavity Plugs(27)



Automotive Terminals(98)



Data Connectivity Headers(1)



Other Automotive Connector Accessories(13)

## Customers Also Bought



TE Model / Part #135526-2  
MQS, CONNECTOR HOUSING



TE Model / Part #1801606-1  
MCON, CONNECTOR HOUSING



TE Model / Part #969040-1  
TIMER, RECEPTACLE AND TAB



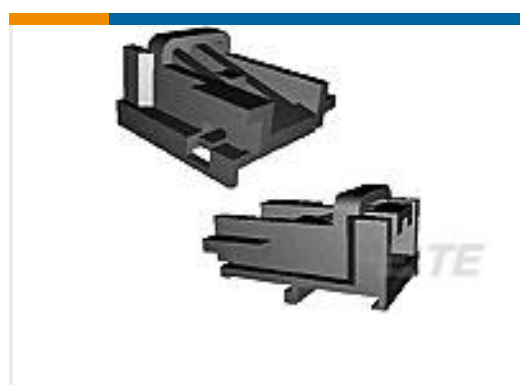
TE Model / Part #1241402-1  
AMP MCP, RECEPTACLE AND TAB



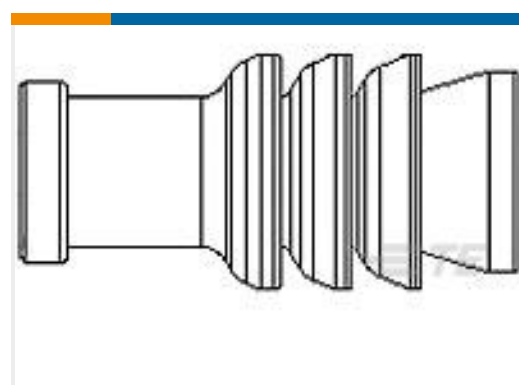
TE Model / Part #7-1452665-3  
MCON, RECEPTACLE AND TAB



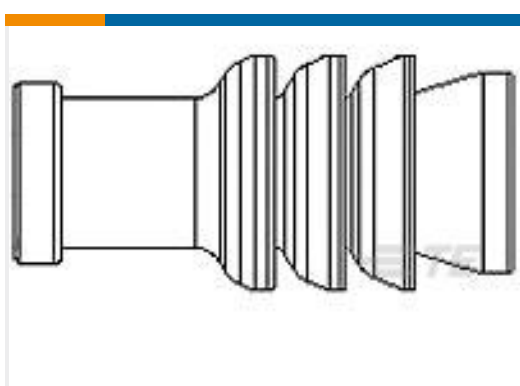
TE Model / Part #135528-2  
MPQ 2.KONT-SICHNG8P



TE Model / Part #1534149-1  
MQS RETAINER ,BLACK



TE Model / Part #963142-1  
MQS SINGLE-WIRE SEAL FOR 4MM



TE Model / Part #963143-1  
MQS BLINDSTOPFEN

## Documents





### Product Drawings

SWS,MQS,CVTY DIA,4.0,GRY

English

---

### CAD Files

3D PDF

3D

Customer View Model

[ENG\\_CVM\\_CVM\\_963142-2\\_C.2d\\_dxf.zip](#)

English

Customer View Model

[ENG\\_CVM\\_CVM\\_963142-2\\_C.3d\\_igs.zip](#)

English

Customer View Model

[ENG\\_CVM\\_CVM\\_963142-2\\_C.3d\\_stp.zip](#)

English

By downloading the CAD file I accept and agree to the [Terms and Conditions](#) of use.

---

### Datasheets & Catalog Pages

[MCON Interconnection System](#)

English