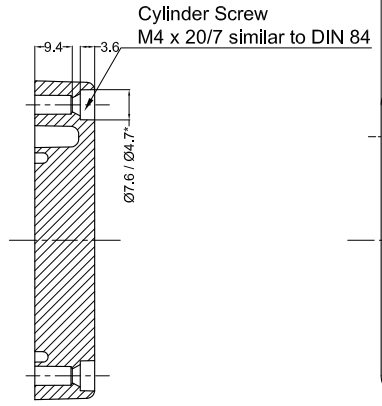
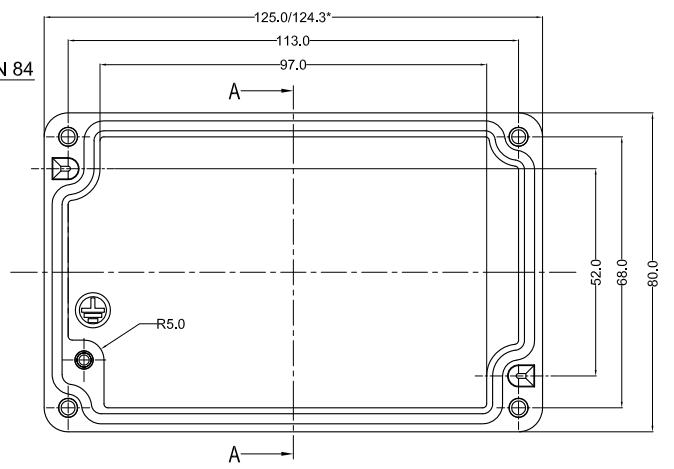


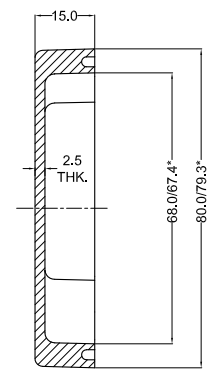
* = Conical form tapering downward.
 Untoleranced dimensions per GTA 13/5 DIN 1688



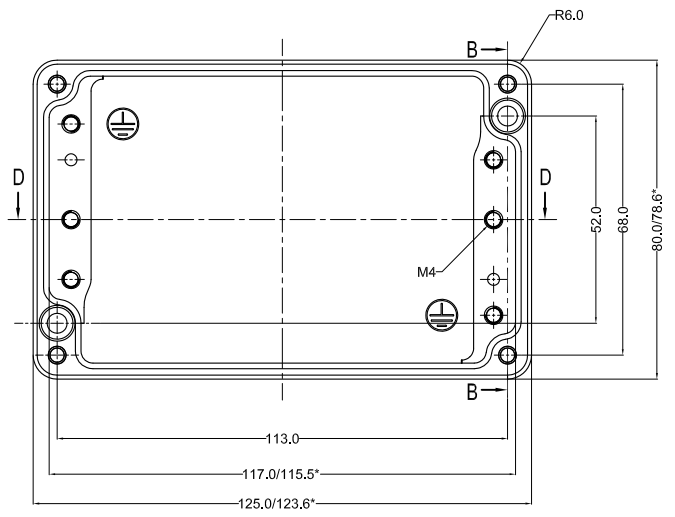
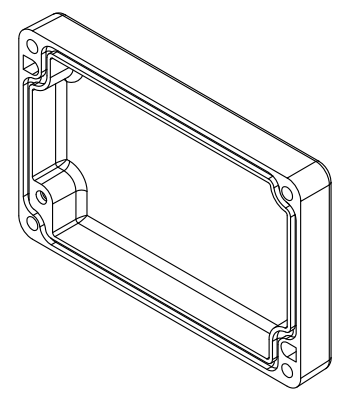
SECTION A-A



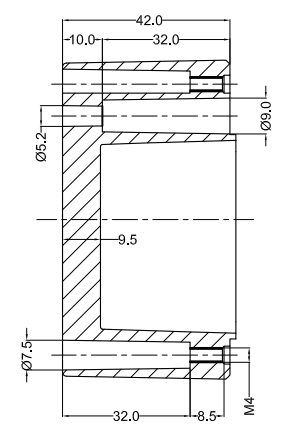
LID



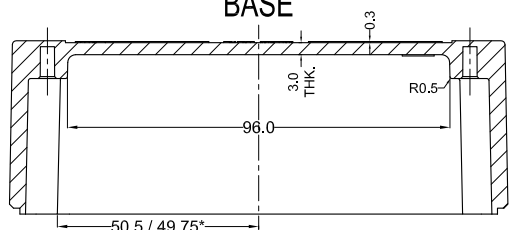
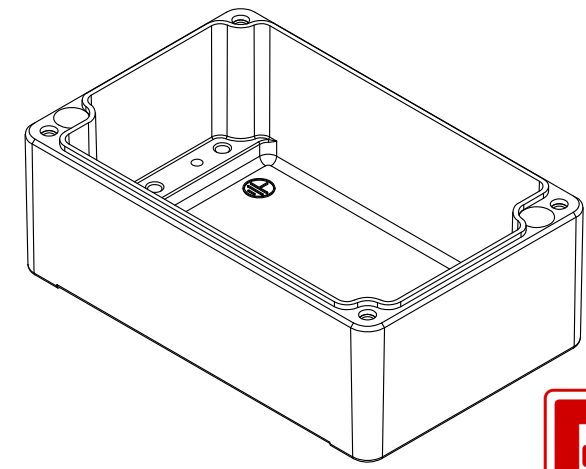
SECTION A-A



BASE



SECTION B-B



SECTION D-D



QUANTITY	MATERIAL :-	MACH.NAME	DATE	SIGN	NAME	
-	Alsi12	-			RRPL	DESIGN
	Din230		30/04/12		MANOJ	DRAWN
		TITLE :-	30/04/12		PAVAN	CHECKED
		JUNCTION BOX			S.D.	APPROVED
		125 x 80 x 57				
TOLERANCE	WEIGHT:	FINISH:	SCALE	PARTNO.		
±0.2	-	NATURAL		0		
±0.2	HOLES		REV	DRG. NO.		
±1.0°	ANGLES		0	AJB-1258057		
	ALL DIMENSION ARE IN MM					