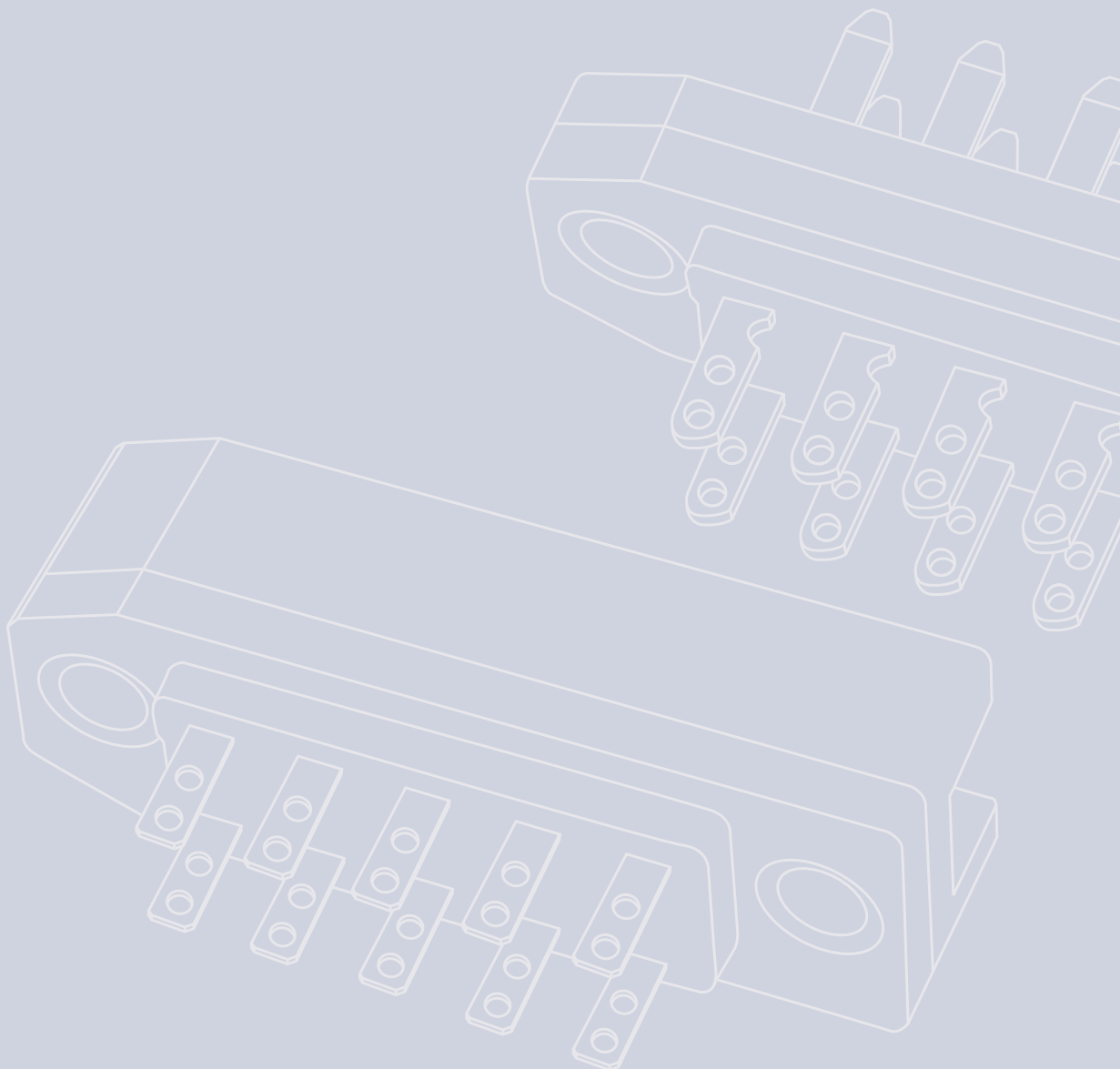
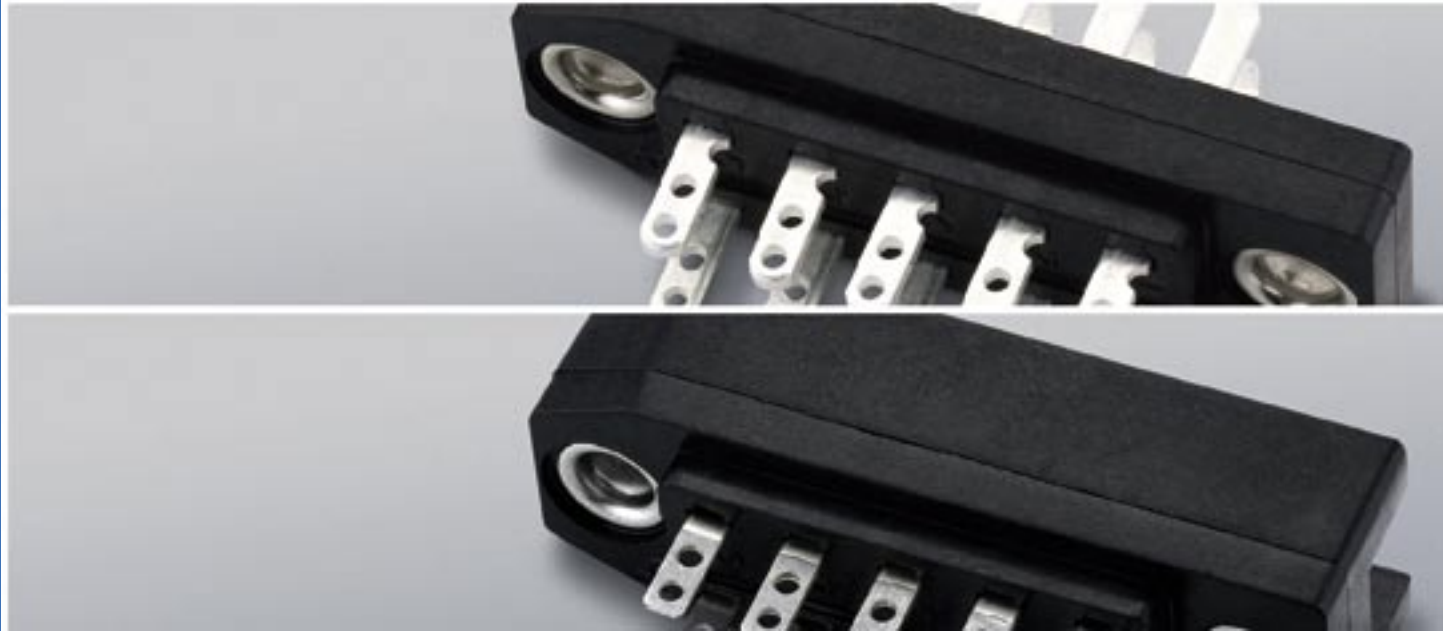


Connectors according to DIN 41 618 and DIN 41 622





Connectors according to DIN 41 618 and DIN 41 622

20.1	Connection according to DIN 41 618, Symmetrical Contact Configuration .	323
20.2	Connection according to DIN 41 622, Asymmetrical Contact Configuration	324
20.3	Housing for Connectors according to DIN 41 618 and DIN 41 622	324
20.4	Locking Through for Housing.....	325
20.5	Cable Reliefs for Housings.....	325
20.6	Coding Parts for Connectors according to DIN 41 618 and DIN 41 622	326

Connectors according to DIN 41 618 and DIN 41 622

Connectors according to DIN 41 618 and DIN 41 622 are knife-/spring contact types. Its rugged design causes a reliable electrical connection. They are mainly used in plug in unit designs and as cable connectors, using

metal-/plastic housings with corresponding coding and locking parts. The termination is soldering. Male connectors with terminals for PCB mounting and with wire wrap posts are possible (on request).

Technical Data		
	DIN 41 618	DIN 41 622
Mechanical Characteristics		
Withdrawal force of a single knife	≥ 0.8 N	≥ 0.8 N
Durability (mating cycles)	≥ 500	≥ 500
Material: Contact (finish)	≥ 6 μm Ag	≥ 6 μm Ag
Material: Insulators	PC gv black	PC gv black
Material: Knife contacts	2.5 x 1 mm	3.0 x 1 mm
Material: Terminators	solderable tinned	solderable tinned
Climatic Characteristics		
Tested / classified in accordance with DIN IEC 60068-1	40/085/21	40/085/21
Electrical Characteristics		
Contact resistance	≤ 5 mΩ	≤ 5 mΩ
Insulation resistance	≥ 1.000 MΩ	≥ 1.000 MΩ
Voltage proof	1.500 V _{eff} /50 Hz	1.500 V _{eff} /50 Hz
Working voltage	250 V~ / 200 V=	380 V~ / 450 V=
Working current at environmental temperature 20° C	6 A	8 A
Working current at environmental temperature 40° C	5 A	6 A
Working current at environmental temperature 60° C	3 A	4 A

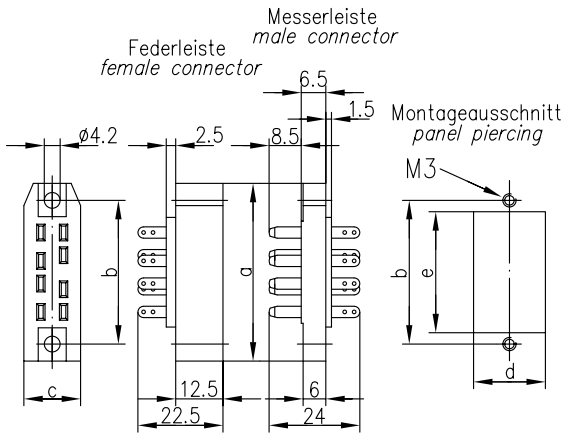
Connection according to DIN 41 618, Symmetrical Contact Configuration

Order no.	Short name	Size in mm	Remarks
J00044A0900	male connector A 10	a=47; b=38; c=15; d=14; e=32	solder terminals, 10-way
J00040A0901	female connector B 10	a=47; b=38; c=15; d=14; e=32	solder terminals, 10-way
J00045A0902	male connector A 16	a=59; b=50; c=15; d=14; e=43	solder terminals, 16-way
J00041A0903	female connector B 16	a=59; b=50; c=15; d=14; e=43	solder terminals, 16-way
J00045A0904	male connector A 20	a=71; b=62; c=15; d=14; e=55	solder terminals, 20-way
J00041A0905	female connector B 20	a=71; b=62; c=15; d=14; e=55	solder terminals, 20-way
J00046A0906	male connector A 26	a=83; b=74; c=15; d=14; e=68	solder terminals, 26-way
J00042A0907	female connector B 26	a=83; b=74; c=15; d=14; e=68	solder terminals, 26-way
J00046A0908	male connector A 39	a=83; b=74; c=20; d=19; e=68	solder terminals, 39-way
J00042A0909	female connector B 39	a=83; b=74; c=20; d=19; e=68	solder terminals, 39-way

Connectors according to DIN 41 618 and DIN 41 622

20.2

Connection according to DIN 41 622, Asymmetrical Contact Configuration

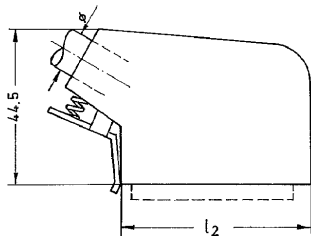


Order no.	Short name	Size in mm	Remarks
J00044A0910	male connector A 8	a=47; b=38; c=15; d=14; e=32	solder terminals, 8-way
J00040A0911	female connector B 8	a=47; b=38; c=15; d=14; e=32	solder terminals, 8-way
J00045A0912	male connector A 12	a=59; b=50; c=15; d=14; e=43	solder terminals, 12-way
J00041A0913	female connector B 12	a=59; b=50; c=15; d=14; e=43	solder terminals, 12-way
J00045A0914	male connector A 16	a=71; b=62; c=15; d=14; e=55	solder terminals, 16-way
J00041A0915	female connector B 16	a=71; b=62; c=15; d=14; e=55	solder terminals, 16-way
J00045A0916	male connector A 20	a=83; b=74; c=15; d=14; e=68	solder terminals, 20-way
J00041A0917	female connector B 20	a=83; b=74; c=15; d=14; e=68	solder terminals, 20-way
J00046A0918	male connector A 30	a=83; b=74; c=20; d=19; e=68	solder terminals, 30-way
J00042A0919	female connector B 30	a=83; b=74; c=20; d=19; e=68	solder terminals, 30-way

20.3

Housing for Connectors according to DIN 41 618 and DIN 41 622

	Sizes in mm					Housing
	l1	l2	l3	b	cable Ø	
	38	54,5	70	18,2	12	8/10
	50	66,5	82	18,2	12	12/16
	62	78,5	94	18,2	12	16/20
	74	90,5	106	18,2	12	20/26
	74	90,5	106	23,2	14	30/39



Order no.	Short name	for connectors according	for connectors according	Remarks
H00030A0955	housing 8/10	10-way	8-way	metal, black
H00031A0957	housing 12/16	16-way	12-way	metal, black
H00031A0959	housing 16/20	20-way	16-way	metal, black
H00031A0965	housing 20/26	26-way	20-way	metal, black
H00032A0942	housing 30/39	39-way	30-way	metal, black

Can also be used as non locking. Remove locking parts, rip off lug by plastic housing.