



CE

### Model Number

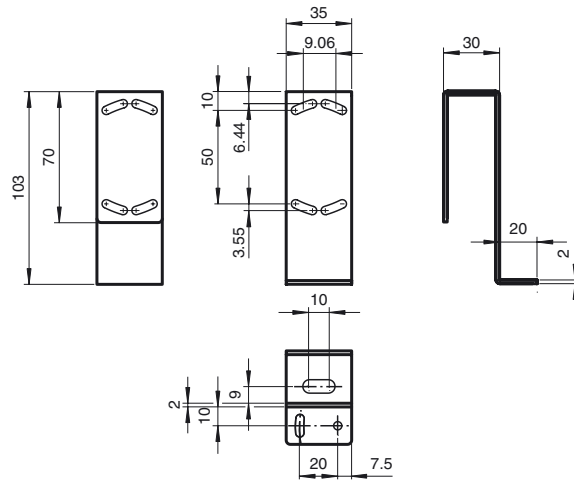
OMH-RL31-03

Mounting bracket narrow

### Features

- Mounting bracket
- Simple and fast mounting

### Dimensions



### Technical data

#### Mechanical specifications

Material Metal sheet (steel), zinc-plated

#### Suitable series

Series Series 31