

Features

- Flexible and durable H05VVf3G1.0- pvc cable
- BS1363A UK Fully Moulded plug fitted with 13A fuse
- Moulded IEC -C13 Straight Connector
- Fully moulded connectors for strength and durability
- Integrated strain relief for connection support and protection

RS PRO 2.50m Power cable C13, IEC to BS1363A (BS13/13) 10A 250 V

RS Stock No: 0771784



RS PRO is the own brand of RS. The RS PRO Seal of Approval is your assurance of professional quality, a guarantee that every part is rigorously tested, inspected, and audited against demanding standards. Making RS PRO the Smart Choice for our customers.

Product Description

- From RS PRO a high quality and durable power Cable Assembly or power extension cord for connecting a computer to a monitor or printer or extending an existing power lead. This extension cord is fully equipped with an IEC C13 (straight) type connector on one end and a UK BS1363A (BS13/13) plug on the other. The cable features integrated strain relief that provides additional protection and support to the connectors.

General Specifications

Connector A	C13, IEC Female – Straight EN60320 /C13
Connector B	BS13/13 BS1363A 13A fuse fitted
Sheath Colour	BLACK
Material	PVC
Applications	DIY and home improvements, Maintenance work, Household Entertainment (TVs, Satellite boxes, routers etc.) Industrial machines and equipment Office desks (monitors, computers, phones) Any Electrical device needed to be connected by mains, also an IEC extension lead.

Mechanical Specifications

Length	2.50m
---------------	-------

Electrical Specifications

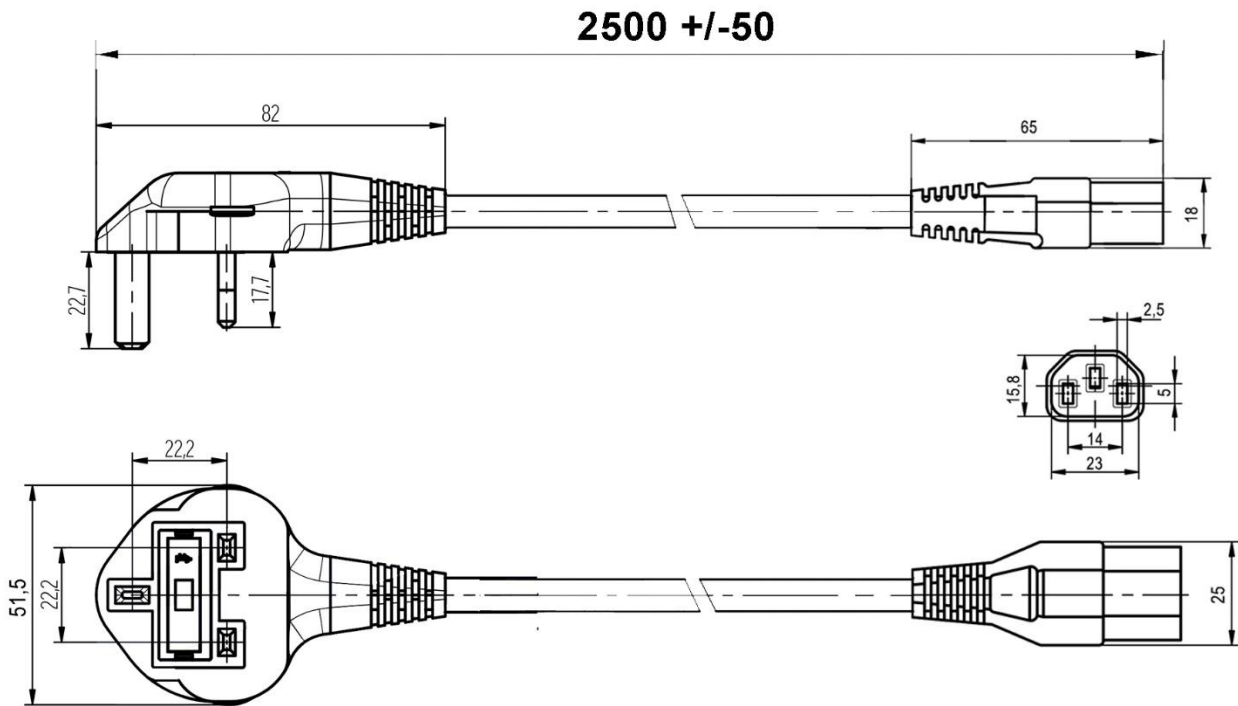
Power Cord Rating	10 A - 250V
Visual Inspection	100%
Electrical Test	100%
High pot test wire to wire	3.000Vac for 2 sec.
Continuity test	25Aac to grounding / 20A to line and neutral
Polarity test	yes
Skin high pot test	6.000Vac line to skin

Protection Category

Environmental Conformity	Eu-Directive 2002/96/EC (WEEE)
	Eu-Directive 2003/11/EC (Council Directive 76/769/EEC)
	Eu-Directive 2002/95/EC (RoHS-Compliant)

Approvals

C13 CONNECTOR	ENEC, CE
BS13/13	ASTA, SINGAPORE SAFETY MARK, SASO TEST REPORT
Cable	Harmonised <HAR>



All dimensions in mm