

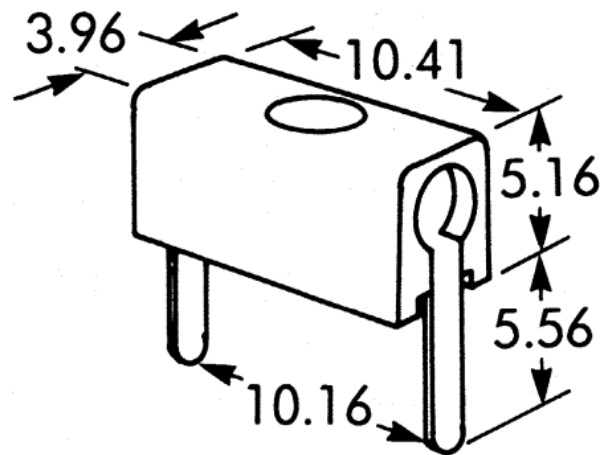


ENGLISH

Datasheet

Stock No: 102-9210

# RS Pro SUB-Miniature PC2mm Black Socket



## Product Details:

### 2 mm miniature sockets for PCB

- Miniature sockets to solder onto printed circuit boards, for 2 mm type banana plugs

## Specifications:

Current Rating:	5A
Colour:	Black
Contact Material:	Copper Aluminium Alloy
Contact Plating:	Silver
Gender:	Female
Termination Method:	Solder
Insulation Material:	Nylon
Length:	10.46mm