

# Soft starters for asynchronous motors

Altistart 01

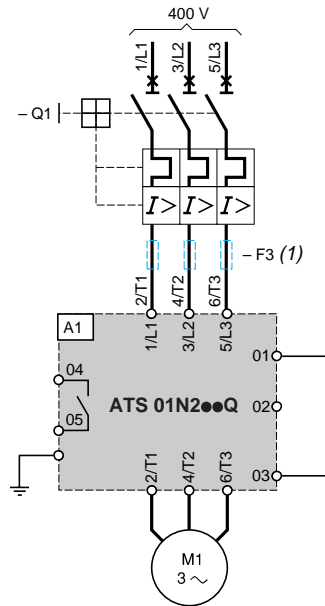
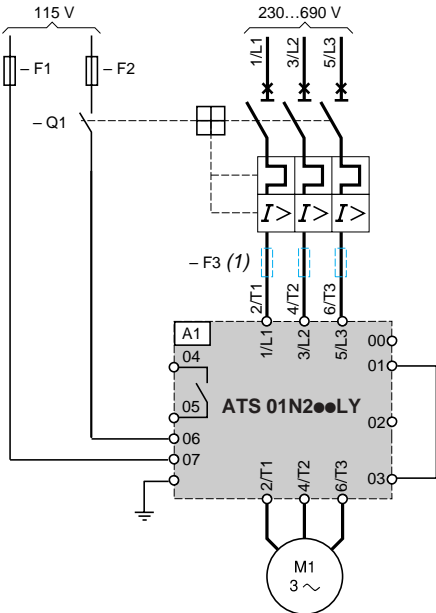
For 15 to 75 kW motors

**ATS 01N2●●LY and ATS 01N2●●Q soft start/soft stop units (compatible components, see page 60544/3)**

**Manual control without deceleration (freewheel), with GV3 and GV7 motor circuit-breaker**

ATS 01N230LY to ATS 01N285LY

ATS 01N244Q to ATS 01N285Q



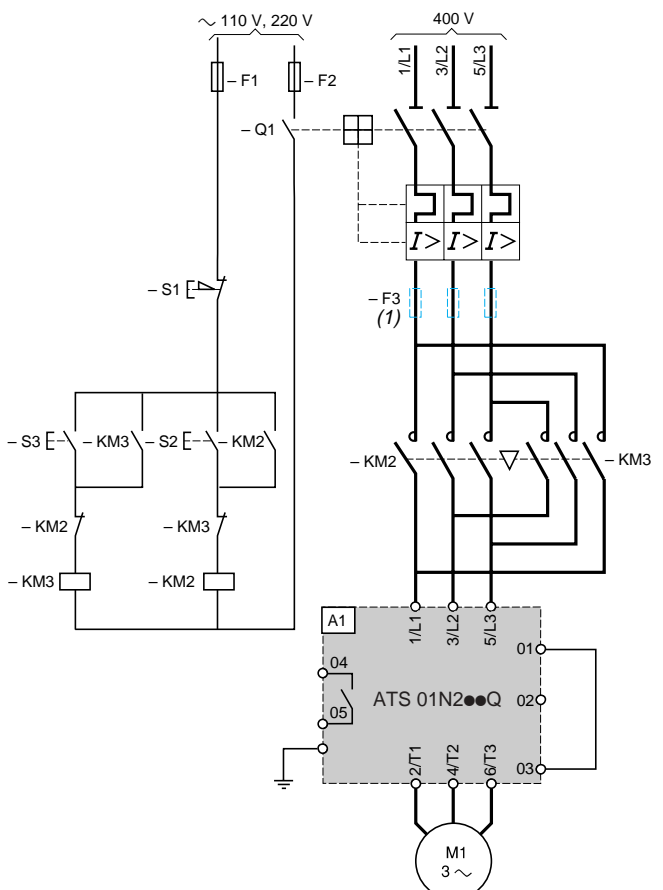
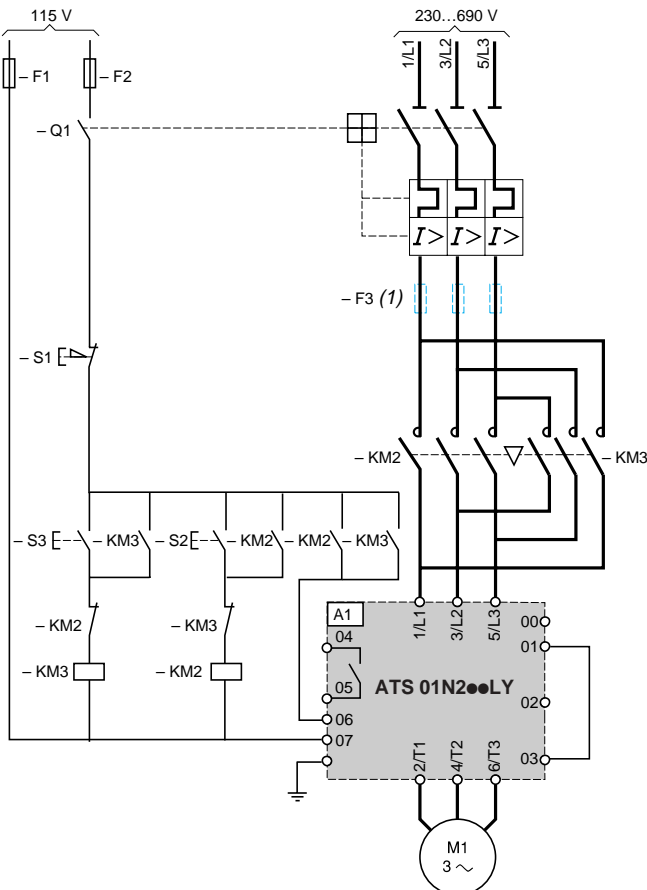
(1) For type 2 coordination.

(1) For type 2 coordination.

**Automatic control with reversal of operating direction, without deceleration (freewheel)**

ATS 01N230LY to ATS 01N285LY

ATS 01N244Q to ATS 01N285Q



(1) For type 2 coordination.

(1) For type 2 coordination.

# Soft starters for asynchronous motors

Altistart 01

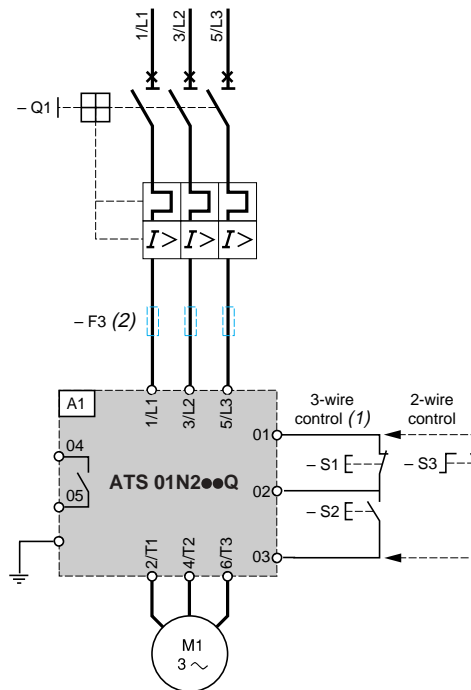
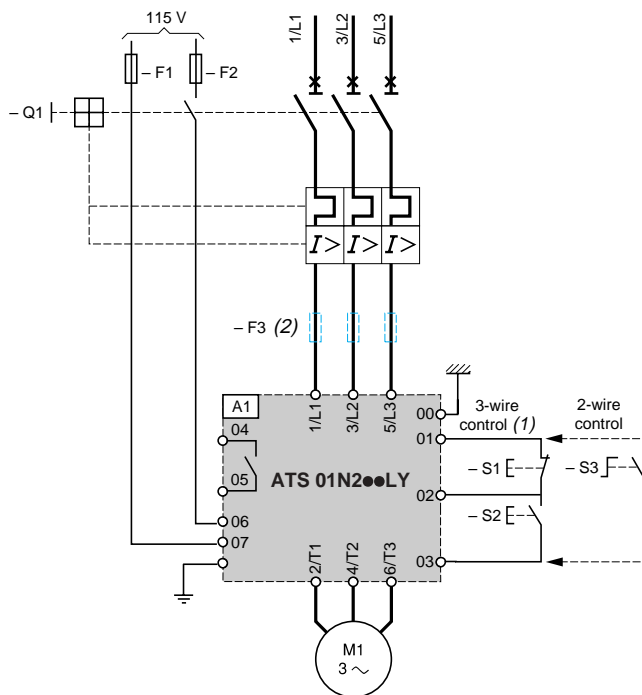
For 15 to 75 kW motors

## ATS 01N2●●LY and ATS 01N2●●Q soft start/soft stop units

Automatic control with or without deceleration (freewheel), without contactor

ATS 01N230LY to ATS 01N285LY

ATS 01N244Q to ATS 01N285Q



(1) Use shielded wires above 1 m.  
(2) For type 2 coordination.

(1) Use shielded wires above 1 m.  
(2) For type 2 coordination.

**Compatible components** (for full references, see pages 60545/2 and 60545/3 or refer to our catalogue: "Motor starter solutions - Control and protection components".)

Code	Description
A1	Soft start/soft stop unit
Q1	GV3 or GV7 circuit-breaker
KM2, KM3	LC1 ●●● + LA4 DA2U
F1, F2	Control protection fuses
F3	3 fast-acting fuses
S1, S2, S3	XB4 B or XB5 B pushbuttons

# Soft starters for asynchronous motors

Altistart 01

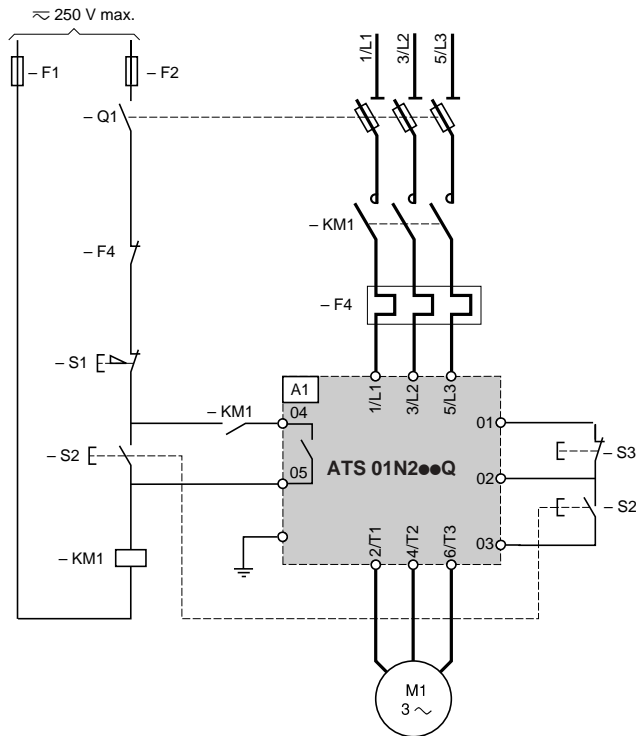
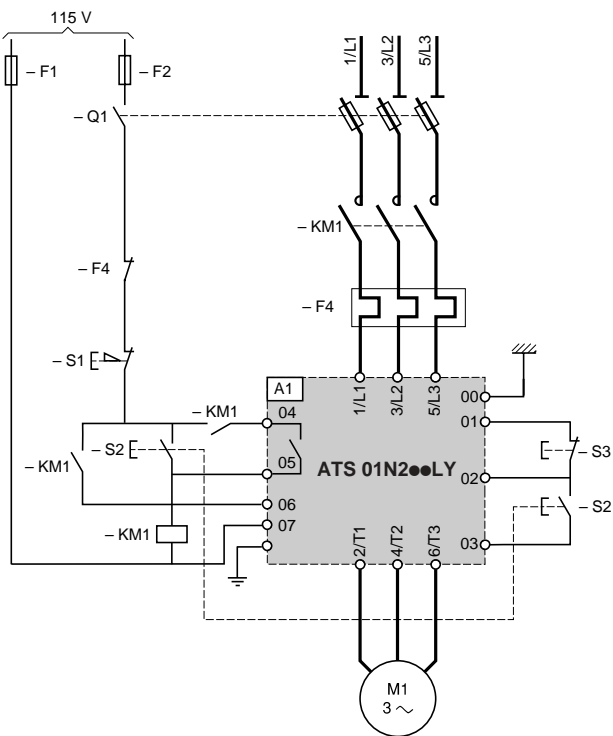
For 15 to 75 kW motors

## ATS 01N2●●LY and ATS 01N2●●Q soft start/soft stop units (continued)

Automatic control with or without deceleration (freewheel), with contactor

ATS 01N230LY to ATS 01N285LY

ATS 01N244Q to ATS 01N285Q



**Compatible components** (for full references, see pages 60545/2 and 60545/3 or refer to our catalogue: "Motor starter solutions - Control and protection components".)

Code	Description
A1	Soft start/soft stop unit
Q1	GK1 disconnecter
KM1	LC1 ●●● + LA4 DA2U
F1, F2	Control protection fuses
F4	LRD thermal overload relay
S1, S2, S3	XB4 B or XB5 B pushbuttons

# Soft starters for asynchronous motors

Altistart 01

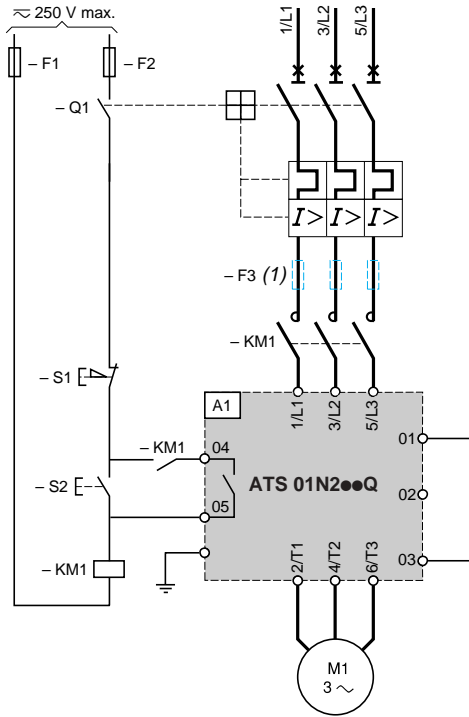
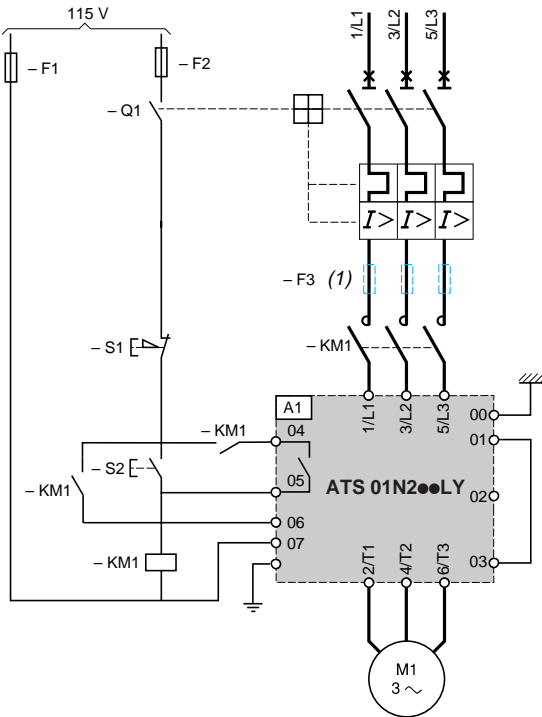
For 15 to 75 kW motors

## ATS 01N2●●LY and ATS 01N2●●Q soft start/soft stop units (continued)

Automatic control without deceleration (freewheel), with a maintaining function

ATS 01N230LY to ATS 01N285LY

ATS 01N244Q to ATS 01N285Q



(1) For type 2 coordination.

**Compatible components** (for full references, see pages 60545/2 and 60545/3 or refer to our catalogue: "Motor starter solutions - Control and protection components".)

Code	Description
A1	Soft starter
Q1	GV3 circuit-breaker
KM1	LC1 ●●● + LA4 DA2U
F1, F2	Control protection fuses
F3	3 fast-acting fuses
S1, S2	XB4 B or XB5 B pushbuttons