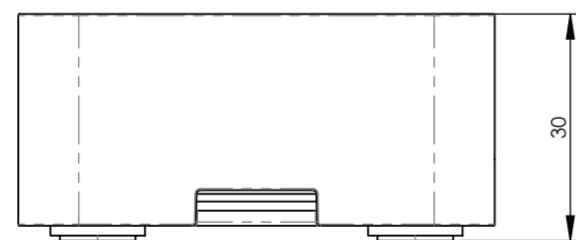
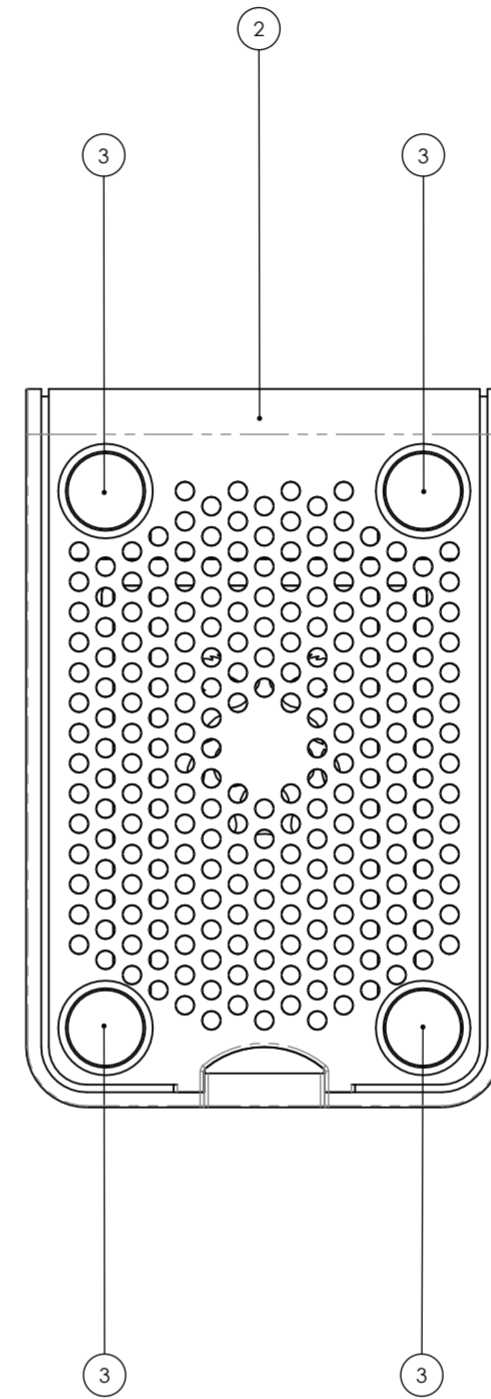
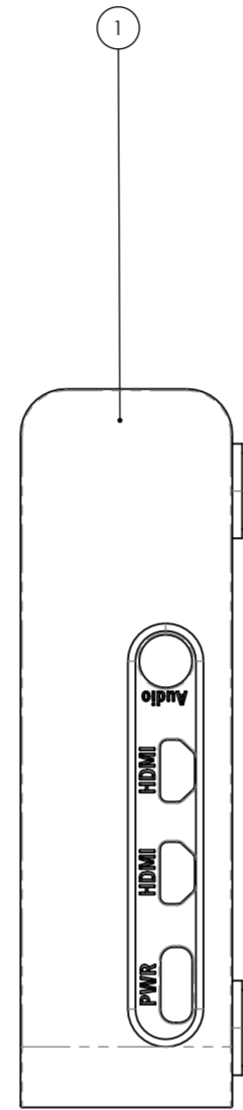
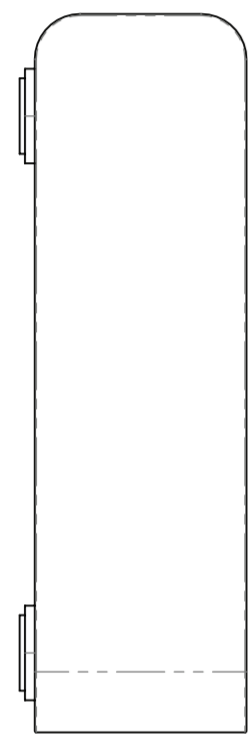
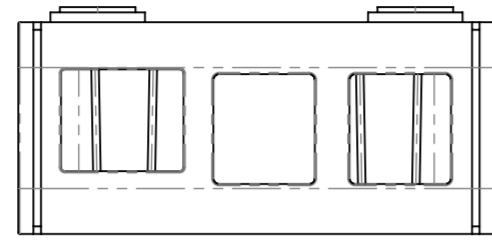
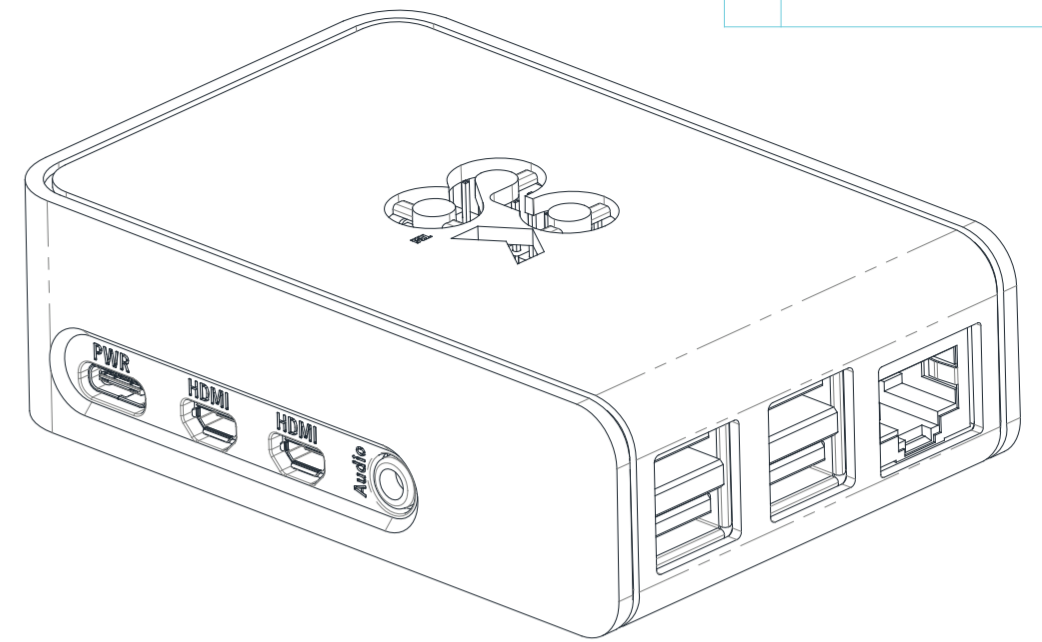


NO.	REVISION	DATE / SIGNED
△	For Tool order	04.07.19 TM
△		



NO.	PART NUMBER	DESCRIPTION	QTY.
1	ASM-1900138-01	RASPBERRY PI-4 SLIDE CASE - CLEAR	1
2	ASM-1900138-11	RASPBERRY PI-4 SLIDE CASE - WHITE	1
3	ASM-1900138-21	RASPBERRY PI-4 SLIDE CASE - BLACK	1
4	ASM-1900138-61	RASPBERRY PI-4 SLIDE CASE - RED	1

NOTES

- GENERAL DRAFT ANGLE SHALL BE 1° UNLESS OTHERWISE STATED
- PRODUCT SHOULD NOT HAVE WELD LINE AND/OR FLOW MARK.
- PRODUCT SHOULD NOT HAVE STRESS/SINK MARKS.
- HEIGHT OF BURRS SHOULD BE LESS THAN 0.1MM.
- THE PART NUMBER SHOULD BE EXPRESSED BY CONVEX LETTERS, THE TYPE OF WHICH IS OPTIONAL.
- GATES SHOULD BE REMOVED COMPLETELY.
- SECTIONS SHOWN ARE TRUE AT SECTION LINE. VARIOUS DETAILS THAT APPEAR BEHIND SECTION LINE ARE OMITTED AND/OR INCLUDED TO CLARIFY THE DRAWING.
- VENDOR INSPECTION REPORTS MUST ACCOMPANY SAMPLES SUBMITTED FOR APPROVAL.
- PARTS MUST BE SUITABLY PACKED TO AVOID DAMAGE IN SHIPMENT.

ITEM NO.	PART NUMBER	DESCRIPTION	QTY.
1	OND-1900261-01	PI-4 SLIDE CASE CENTRE MOULDING	1
2	OND-1900260-01	PI-4 SLIDE CASE BASE MOULDING	1
3	OND-1900170-01	TECHNI-3 FOAM RUBBER FOOT	4

GENERAL TOLERANCE	
DIM'N	TOL. ±
0 → 6	0.08
7 → 30	0.1
31 → 120	0.2
121 → 300	0.3
301 → 600	0.4
601 → 1200	0.5

REFER TO 3D CAD DATA FOR TOOL MANUFACTURE

RoHS Compliant: Parts on this document must comply with the requirements and procedures specified in the RoHS compliant handbook - www.rohs.gov.uk

NO.	PART NO.	DESCRIPTION	MODEL NO.	MATERIAL	FINISH	QTY
1	ASM-1900138 - ABOVE	SLIDE CASE	RASPBERRY Pi-4	ABS	LIGHT TEXTURE JXY-A11010	
THIS DRAWING AND DESIGN ARE THE EXCLUSIVE PROPERTY OF ONENINEDESIGN. THE DRAWING SHALL NOT BE COPIED OR COMMUNICATED IN ANY FORM WITHOUT PRIOR AUTHORITY FROM ONENINEDESIGN. www.oneninedesign.co.uk						
DRAWN			CHECKED	APPROVED	SCALE	CAD DATA:
TM			TM		1:1	
04.07.19			04.07.19			

19 oneninedesign Cosmetic Design | Product Design | Mechanical Design
Design management & Advice | Design for Manufacture

A2