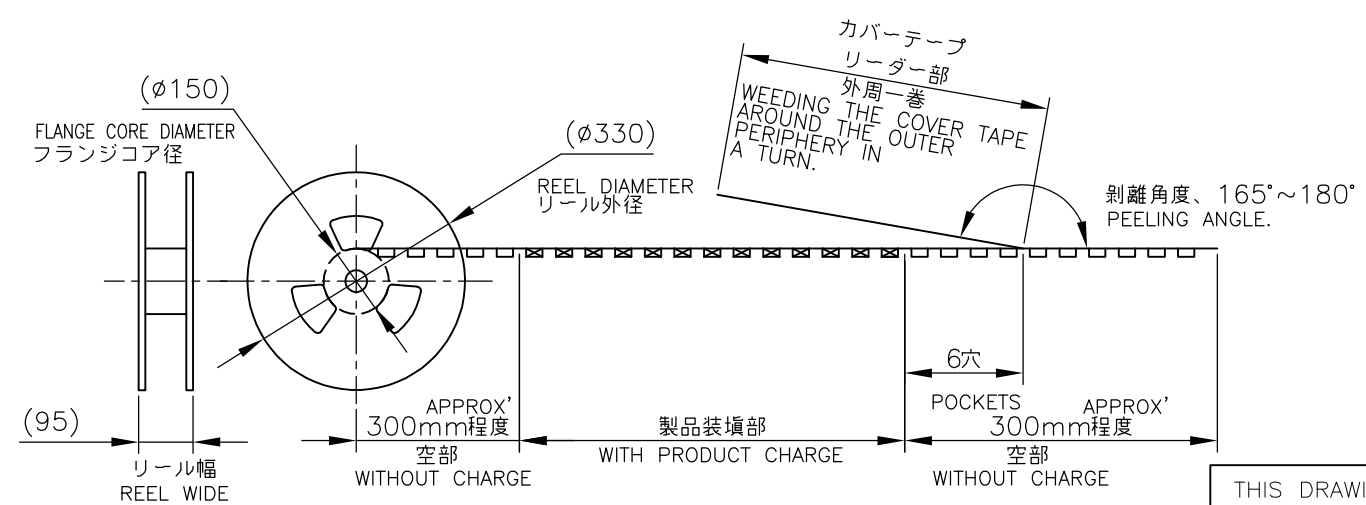
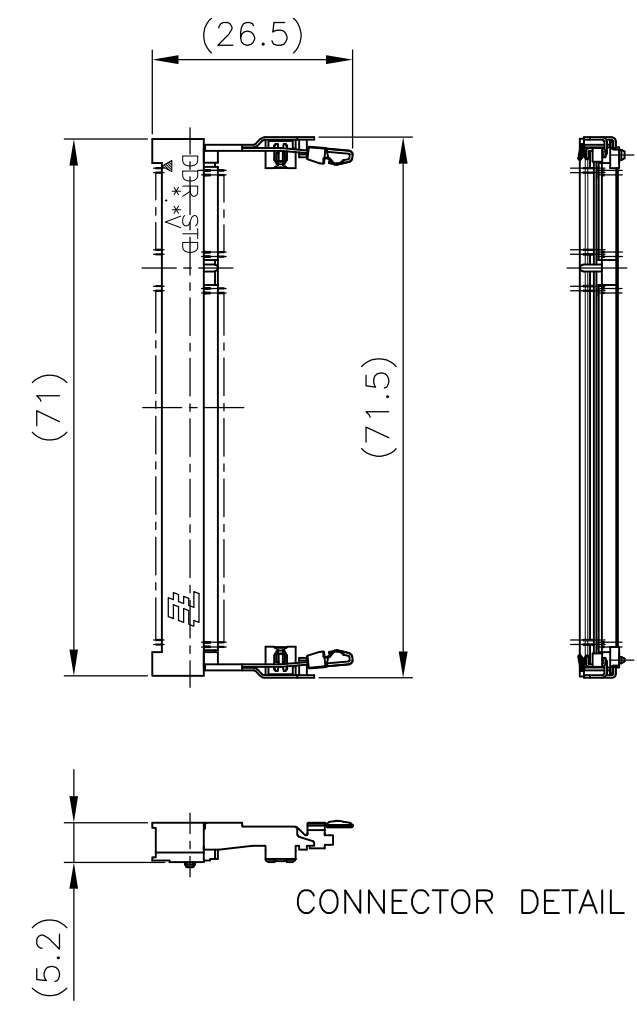
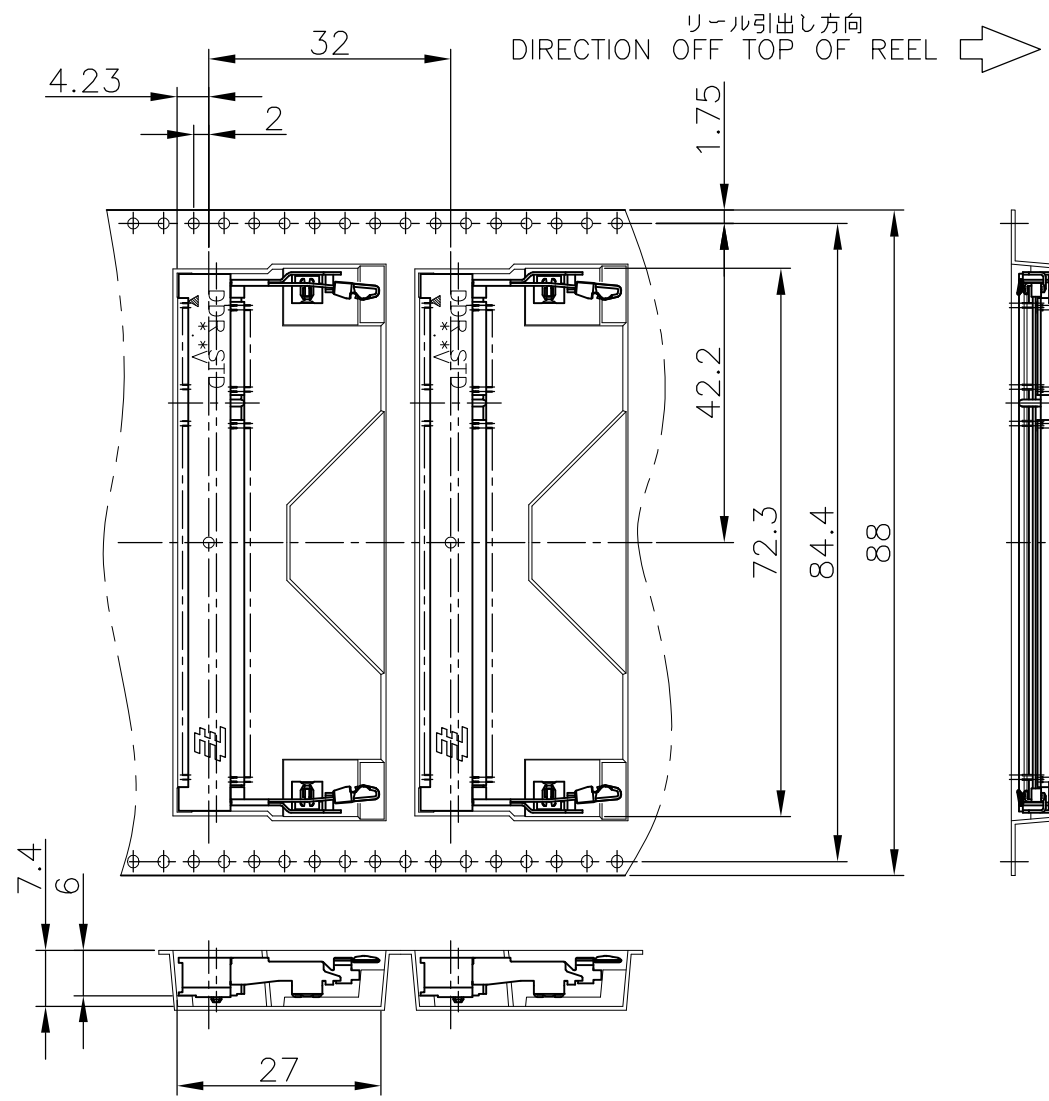


THIS DRAWING IS UNPUBLISHED. RELEASED FOR PUBLICATION DEC. 2001.  
 © COPYRIGHT 2001 BY TYCO ELECTRONICS CORPORATION. ALL RIGHTS RESERVED.

LOC	DIST	REVISIONS					
		P	LTR	DESCRIPTION	DATE	DWN	APVD
J			D1	ECR-10-014684	22JUL10	B.W	S.Y



鉛フリー  
LEAD FREE

1.8V (DDR2)	150EA/REEL	1565711-4	1565917-4
2.5V (DDR1)	150EA/REEL	1565711-3	1565917-1
POWER SUPPLY (TYPE)	QTY	CONNECTOR P/N	P/N

THIS DRAWING IS A CONTROLLED DOCUMENT.

DWN	T.FUMIKURA	14DEC01	Tyco Electronics AMP K.K. Kawasaki, Japan
CHK	T.KUSUHARA	14DEC01	
APVD	T.KUSUHARA	14DEC01	
PRODUCT SPEC	108-5701		NAME 名称 EMBOSS ASSEMBLY DDR1 & DDR2 SODIMM SOCKET 200P STANDARD PROFILE STANDARD TYPE
APPLICATION SPEC	取付適用規格		SIZE A3
WEIGHT	G=1565917		CAGE CODE 00779
CUSTOMER DRAWING			DRAWING NO 1565917
SCALE 1:1			SHEET 1 OF 1
REV D1			RESTRICTED TO -