

Features

- RS PRO BCG Series couplings have one set screw each end (size 6-12) or two set screws 120 degrees apart (size 14-20)
- Zero backlash
- Imperial Four Beam Coupling with dimensions in inch
- Made from Aluminium 7075 (A)
- Bore tolerance +0.001 in / -0.000 in
- Recommended shaft tolerance +0.0000 in / -0.0005 in

RS PRO Flexible Coupling

RS-Stock Number: 0764285



RS PRO is the own brand of RS. The RS PRO Seal of Approval is your assurance of professional quality, a guarantee that every part is rigorously tested, inspected, and audited against demanding standards. Making RS PRO the Smart Choice for our customers.

Product Description

RS PRO flexible couplings made from Aluminium 7075 (A) are used where a degree of motion is needed between the shafts. These couplings can improve the performance of a machine and reduce wear and tear. They are easy to install and have a long-life span. The types of couplings that sit within the flexible couplings area are gear couplings, and universal joint couplings. Each coupling is manufactured as one piece, thereby eliminating mechanical joints and possible failure points.

All dimensions provided in inches as imperial four beam coupling.

General Specifications

Material	Aluminium 7075 (A)
Coupling Type	Beam Coupling
Series	BCG
Fastening Type	Set Screw

Mechanical Specifications

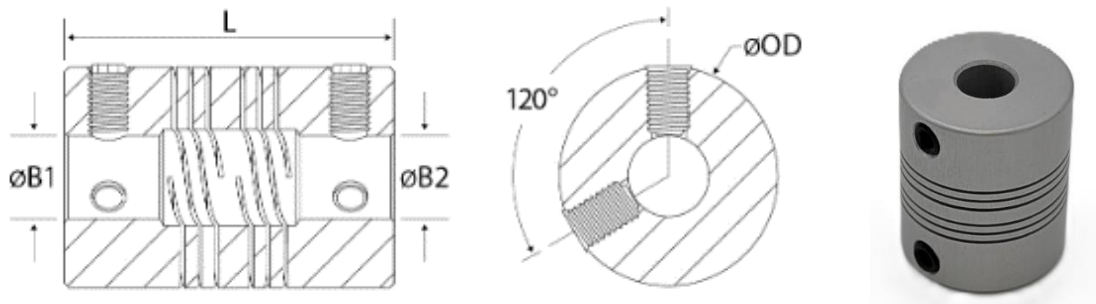
Bore 1 (in)	0.2500"
Bore 2 (in)	0.2500"
Outside Diameter (in)	0.75"
Length (in)	0.9"
Cap Screw	M4

Product Details

RS PRO Imperial Four Beam Coupling – Set Screw Style

Material	Aluminium 7075 (A)
Coupling Type	Beam Coupling
Series	BCG
Fastening Type	Set Screw

Type BCG couplings have socket head cap screws each end.



Stock No.	Bore $\varnothing B1$ (in)	Bore $\varnothing B2$ (in)	Outer $\varnothing OD$ (in)	Length L (in)	Set Screw
BCG12-4-4-A	0.2500" (4)	0.2500" (4)	0.75"	0.9"	M4
BCG16-6-6-A	0.3750" (6)	0.3750" (6)	1"	1.25"	M4