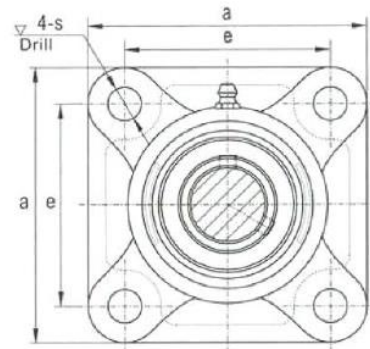
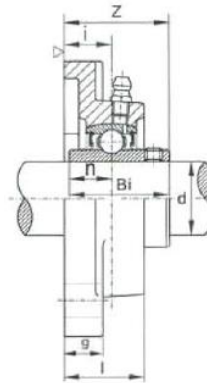


4 Bolt Square Medium Series - Metric



RS Article no.	Bearing unit No.	Shaft Dia.	Dimension (mm)										Bolt used	Bearing No.	Housing No.	Weight (kg)
		d (mm)	a	e	i	g	l	s	z	Bi	n	(mm)				
7508902	UCFX07	35	130	102	21	14	38	16	51.2	49.2	19	M14	UC X07	FX 07	1.9	
7508911	UCFX08	40	137	105	22	14	40	19	52.2	49.2	19	M16	UC X08	FX 08	2.1	
7508914	UCFX09	45	143	111	23	14	40	19	55.6	51.6	19	M16	UC X09	FX 09	2.5	
7508927	UCFX10	50	162	130	26	20	44	19	59.4	55.6	22.2	M16	UC X10	FX 10	3.6	
7508920	UCFX11	55	175	143	29	20	49	19	68.7	65.1	25.4	M16	UC X11	FX 11	4.7	
7508924	UCFX12	60	187	149	34	21	59	19	73.7	65.1	25.4	M16	UC X12	FX 12	5.5	