



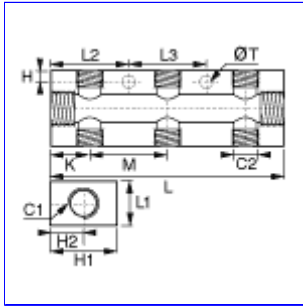
**3313**

## DOUBLE FEMALE MANIFOLD BSP PARALLEL

[Description](#)  
[Dimensions](#)  
[Specifications](#)  
[CAD drawings](#)  
[Related products](#)

---

<b>maximum working pressure</b>	<b>bar</b> 20	<b>MPa</b> 2	<b>psi</b> 290
<b>working temperature</b>	<b>°C</b> <b>(Celsius)</b> From -10 to 80	<b>F</b> <b>(Fahrenheit)</b> From 14 to 176	<b>K</b> <b>(Kelvin)</b> From 263 to 353
<b>body</b>	anodized aluminium		



**3313**



**DOUBLE FEMALE MANIFOLD  
BSP PARALLEL**

[Zoom](#)

- [Description](#)
- [Dimensions](#)
- [Specifications](#)
- [CAD drawings](#)
- [Related products](#)

convert weight standard : [kg](#) | [oz](#)

convert dimensions : [mm](#) | [inch](#)

		C1	C2	H (mm)	H1 (mm)	H2 (mm)	K (mm)	L (mm)	L1 (mm)	L2 (mm)	L3 (mm)	M (mm)	ØT (mm)	 (kg)
3313 10 13 02		G1/4	G1/8	4,5	30,0	15,0	15,5	61,0	20,0	5,5	50,0	30,0	5,0	0,075
3313 10 13 03		G1/4	G1/8	4,5	30,0	15,0	15,5	91,0	20,0	30,5	30,0	30,0	5,0	0,115
3313 10 13 04		G1/4	G1/8	4,5	30,0	15,0	15,5	121,0	20,0	30,5	60,0	30,0	5,0	0,151
3313 10 13 05		G1/4	G1/8	4,5	30,0	15,0	15,5	151,0	20,0	30,5	90,0	30,0	5,0	0,194
3313 13 17 02		G3/8	G1/4	6,0	40,0	20,0	19,0	74,0	20,0	6,5	61,0	36,0	6,5	0,109
3313 13 17 03		G3/8	G1/4	6,0	40,0	20,0	19,0	110,0	20,0	37,0	36,0	36,0	6,5	0,169
3313 13 17 04		G3/8	G1/4	6,0	40,0	20,0	19,0	146,0	20,0	37,0	72,0	36,0	6,5	0,230
3313 13 17 05		G3/8	G1/4	6,0	40,0	20,0	19,0	182,0	20,0	37,0	108,0	36,0	6,5	0,286
3313 13 21 03		G1/2	G1/4	6,0	40,0	20,0	22,0	116,0	28,0	40,0	36,0	36,0	6,5	0,222
3313 13 21 04		G1/2	G1/4	6,0	40,0	20,0	22,0	152,0	28,0	40,0	72,0	36,0	6,5	0,295
3313 13 21 05		G1/2	G1/4	6,0	40,0	20,0	22,0	188,0	28,0	40,0	108,0	36,0	6,5	0,369