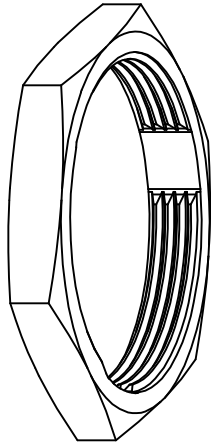
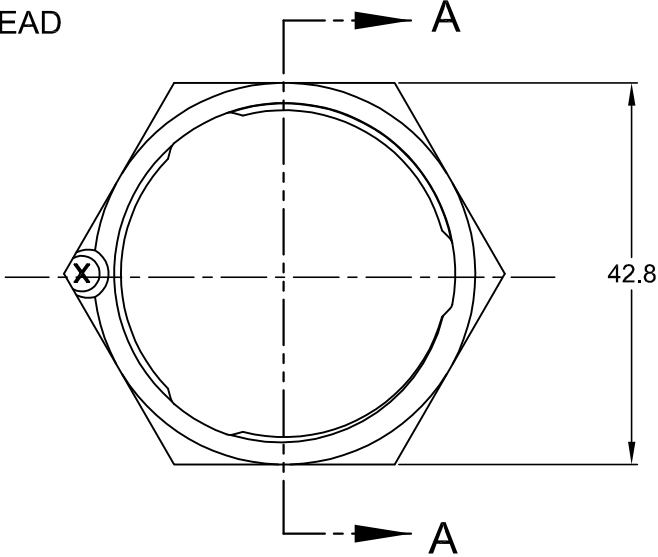
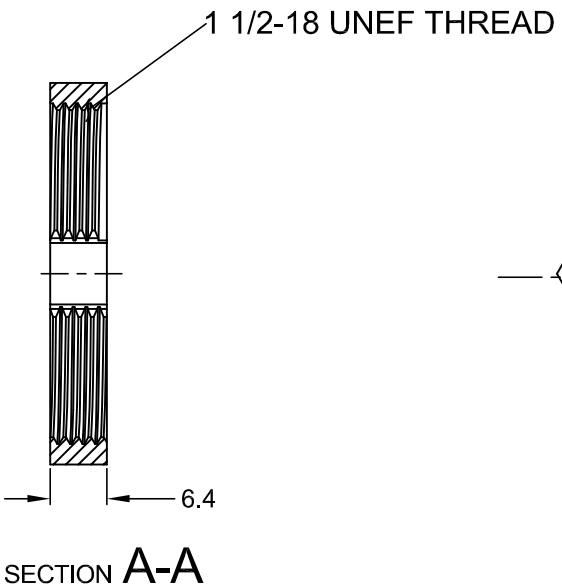


REVISIONS					
REV	ECO	DESCRIPTION	DATE	BY	APPR
A1		RELEASE NEW PRODUCT	09MAR17	ORION	TOMMY



NOTES: UNLESS OTHERWISE SPECIFIED

1. MATERIAL: THERMOPLASTIC
2. COLORS: BLACK
3. RoHS COMPLIANT
4. USE WITH AHDP SERIES SIZE 18 RECEPTACLE, MOUNTING TORQUE IS 5.1~6.1 N.M
5. ALL DIMENSIONS ARE FOR REFERENCE USE ONLY.

AHDP18-PN01					
PART NUMBER		DESCRIPTION			ITEM
QUANTITY	MATERIALS LIST				
<small>UNLESS OTHERWISE SPECIFIED</small> 1) All dimensions are in metric (mm). 2) Tolerances are as follows: 1 PL DEC ± 0.30 Fractions $\pm 1/64$ 2 PL DEC ± 0.15 Angles $\pm 1^\circ$ 3 PL DEC ± 0.08 3) Note reference = $\triangle X$		SIGNATURES		DATE	
MATERIAL SPECIFICATIONS:		DRAWN: ORION LI		09MAR17	
PROCESS SPECIFICATIONS:		CHECKED:			
NEXT ASSY:		ENGINEER:			
		APPROVAL: TOMMY.XIE		09MAR17	
		CUSTOMER:			
		THIS DRAWING IS SUPPLIED FOR INFORMATION ONLY. DESIGN FEATURES, SPECIFICATIONS AND PERFORMANCE DATA SHOWN HEREON ARE THE PROPERTY OF THE AMPHENOL CORPORATION. NO RIGHTS OF REPRODUCTION ARE IMPLIED. ALL DIMENSIONS ARE SUBJECT TO NORMAL MANUFACTURING VARIATIONS.			
		SIZE	TYPE	DWG NO:	REVISION
		A	C-	AHDP18-PN01	A1
		SCALE: NONE			SHEET 1 OF 1

Amphenol

Sine Systems - www.amphenol-sine.com
 44724 Morley Drive
 Clinton Township, MI 48036

NUT, AHDP SERIES, SIZE 18